

DONJOY looking forward to your visit! Your telecommunications!



**东正科技有限公司**  
DONJOY TECHNOLOGY CO.,LTD.

地址: 温州空港新区港富路25号  
总机: 0577-86990888  
传真: 0577-86998000

Add: No.25 Gang fu Road, konggang  
new District, Longwan Wenzhou, China  
Tel: +86-577-86990888  
Fax: +86-577-86998000  
E-mail: donjoy@cndonjoy.com

[www.cndonjoy.com](http://www.cndonjoy.com)

法律声明:  
目录样册版权归东正所有, 如有抄袭, 必将追究其法律责任和经济赔偿。  
东正已获得国家版权局书刊号。东正诸多产品技术, 都具有专利保护, 如有抄袭,  
必将追究法律责任和经济赔偿。

Legal statement:  
Copyright of the catalogue belongs to Donjoy. If there is plagiarism,  
it will be investigated for legal responsibility and economic compensation.  
Donjoy has been granted publications number by China's National Copyright.  
Donjoy products and technology with patent protection,  
If there is plagiarism, it will be investigated for legal responsibility  
and economic compensation.

# Sanitary valve

2023 / 卫生阀 智能制造



国家高新技术企业 专精特新企业

# Advantages



30 YEARS

30年的阀门研发与制造  
More than 30 years valve and pump R&d and Manufacturing

23 YEARS

23年的高洁净泵研发与制造  
More than 23 years high purity pump R&d and Manufacturing

18 YEARS

18年的阀门控制器研发与制造  
More than 18 years valve controller R&d and Manufacturing

15 YEARS

15年的清洗技术研发与制造  
More than 15 years Cleaning technology R&d and Manufacturing

300

300多人的专业团队  
A profession team of over 300 people

200

200多项知识产权  
More than 200 intellectual property rights

30

30多项国际权威认证  
More than 30 international authoritative certifications

20

20多项国家与省级荣誉  
More than 20 national and provincial honors certificates

超过10年研发经验  
工程师队伍  
We have more than 10 years experienced engineer team in R & D.

日本Mazak  
CNC复合型加工中心  
CNC切削中心  
CNC车床  
Japan Mazak  
CNC compound machining center  
CNC cutting center  
CNC lathe

发那科《Fanuc》  
全自动机器人生产线  
《Fanuc》Automatic robot  
production line

高新技术企业、  
省著名商标、  
主任质量奖、4项发明、  
200余项专利  
New high-tech enterprise.  
Provincial famous trademark.  
Director's Quality Award.4 inventions  
More than 200 patents

欧盟CE  
美国3-A, FDA  
中国特种制造许可证 TS  
防爆认证ATEX CNEX  
European Union CE certificate  
USA 3-A, FDA  
China Special Manufacturing  
License TS  
ATEX CNEX

我们能为你提供  
定制化技术服务和制造,  
OEM ODM  
We can provide  
you OEM & ODM service

领先的检测手段,  
30多台专业检测设备和  
50多种检测方法, 确保  
每个产品性能和精度  
Advanced detection method.  
More than 30 pcs professional  
testing equipment. More than  
50 inspection ways, insure product  
performance and accuracy

30 YEARS

30年洁净领域的专注  
30 years of focus in the field of cleanliness

30 YEARS

30年工程应用经验与市场考验  
30 years of engineering application experience and market test

三十而立正蕴含着新的力量，  
未来我们将一如既往的致力于技术革新！  
We Donjoy have established for 30 years, still full of  
new energy, in the future we will stick to concentrate on  
technology innovation

# Introduction

东正创立于1993年，占地面积29000m<sup>2</sup>，注册资本1.0558亿元，员工300余人，技术团队30余人，200余项知识产权，国际权威认证30余项，国家与省级荣誉证书20余项，且拥有国际领先的加工技术和制造设备，如Mazak CNC四轴、五轴加工中心、复合型切削中心、FANUC机器人生产线以及各种国际领先的检测设备等。

东正制造的产品远销全球并获得国内外用户高度好评，我们产品和技术涵盖高洁净泵、阀门控制技术、PID自控阀门、高洁净阀门、容器管道安全控制技术、容器清洗技术、容器管道照明技术、过滤技术以及高洁净管道和配件等。广泛应用于生物制药、食品饮料、酿酒、精细化工、日化洗涤、纺织印染、电池和新能源等工业领域。

Donjoy is founded in 1993, covers an area of 29,000 square meters, registered capital of 105.58 million yuan, we have more than 300 employees, we have more than 30 persons technical team, we have more than 200 intellectual property rights, we have more than 30 authoritative international certification, we have more than 20 national and provincial certifications, and has an international leader of first processing technology and manufacturing equipment, such as Mazak CNC four axis, five axis machining center, compound cutting center, FANUC robot production line and various international collar first detection equipment, etc.

The products manufactured by Donjoy are sold all over the world and are highly praised by domestic and overseas Products and technology cover high purity pump, valve control technology, PID automatic control valve, high purity valve, container pipeline safety control technology, container cleaning technology, container pipe road lighting technology, filtration technology and high purity pipes and accessories. Widely used in the biopharmaceuticals, food and beverage, wine, fine chemicals, daily chemical washing, textile printing and dyeing, battery and new energy and other industrial fields.



# Certification

东正——拥有诸多的产品认证和各种资质其包含国家高新技术、专精特新、省著名商标、知名商号、科技型、创新型、专利示范、研发中心、AAA重合同守信用等各种国家省市级权威荣誉证书。

产品认证:

- 美国卫生认证: 3-A: 涵盖了90%的产品, 其包含各种形式阀门、泵系列等。FDA: 177.2600,177.1550, 其包含各种橡胶和PTFE及各种密封制品等。
- 欧盟安全认证: CE: 其涵盖了100%各种阀门和泵系列: PED/2014/68/EC, MD06/42/EC。ATEX: 6大系列其包含阀门定位器、阀门控制单元、阀门位置反馈器等。
- 特种制造许可证: 国家安全阀特种制造许可证: TSF33008-2019
- 卫生许可批件: 浙卫水字(2012)第0056号
- 防爆认证: Ex db IIC T6 Gb, Ex tb IIIC T80°C Db



Donjoy has many product certification qualifications, including national high-tech, Specialized and very new, provincial famous trademark, well-known trade name, technology-based, innovative, patent demonstration, R&D center, AAA contract and trustworthy and other national, provincial and municipal authoritative honorary certificates.

- Product certification:
- U.S. Sanitary Certification
    - 3-A: Covers 90% of products, including all kinds of valves, pump, etc.
    - FDA: 177.2600, 177.1550, containing various rubber, PTFE and other sealing products.
  - EU safety certification
    - CE: covers all kinds of valves and pumps: PED/2014/68/EC, MD06/42/EC.
    - ATEX: 6 major series, including valve positioner, valve control unit, valve position feedback device, etc.
  - Special manufacturing license: National safety valve special manufacturing license: TSF33008-2019
  - Sanitation license approval document: Zhewei Shuizi (2012) No. 0056
  - Flameproof certification: Ex db IIC T6 Gb, Ex tb IIIC T80°C Db

# 阀门控制单元-C-TOP Valve control unit -C-TOP



高精度、阀门防泄漏、  
高效率、高洁净、精度可设定、按钮操作、  
无需拆卸、隔爆&本安防爆双认证

High precision, leakage proof valve,  
High efficiency, high cleanliness, precision can  
be set Push-button operation, no disassembly,  
Exd & intrinsic safety explosion-proof  
double certification

**核心功能**  
阀门控制与反馈  
Core function  
Valve control and feedback

## 本安防爆系列-阀门控制单元-C-TOP-2221 Intrinsic safety explosion-proof series - Valve Control unit -C-TOP-2221

V1+V2按钮5S 启动自动阀位整定  
V1+V3按钮5S进入精度和颜色切换设定模式

V1+V2 button 5S  
to start auto-tuning  
V1+V3 button 5S to enter the setting mode  
of precision and color switching

**技术特点**

- 单键自动整定
- 阀门防泄漏功能
- 阀门故障反馈功能
- 不同的阀位显示不同颜色的LED灯
- 信号反馈: PNP NPN 无源触点 4-20mA
- 总线通讯: IO-Link; AS-I V3.0
- 供电: DC24V ± 10%
- 行程: 60mm; 30mm
- 阀位精度可现场设定: 0.2mm, 0.5mm, 1mm, 2mm, 3mm
- 高位和低位颜色可现场设定

**Technical Features**

- Single button auto-tuning
- Valve anti-leakage function
- Valve fault feedback function
- Different valve position, different color of LED light
- Signal feedback: PNP NPN passive contact 4-20mA
- Bus communication: IO-Link; AS-I V3.0
- Power supply: DC24V ± 10%
- Stroke: 60mm; 30mm
- The precision of valve position can be set on site: 0.2mm, 0.5mm, 1mm, 2mm, 3mm
- High and low color can be set on site

IO-Link ASI INTERPACK Ex 本安标识 ATEX II 3 G Ex ic IIC T6 Gc

## 隔爆系列-阀门控制单元-C-TOP-21A21 Exd explosion-proof series - Valve Control unit -C-TOP-21A21

V1+V2按钮5S 启动自动阀位整定  
V1+V3按钮5S进入精度和颜色切换设定模式

V1+V2 button 5S  
to start auto-tuning  
V1+V3 button 5S to enter the setting mode  
of precision and color switching

**技术特点**

- 单键自动整定
- 阀门防泄漏功能
- 阀门故障反馈功能
- 不同的阀位显示不同颜色的LED灯
- 信号反馈: PNP NPN 无源触点 4-20mA
- 总线通讯: IO-Link; AS-I V3.0
- 供电: DC24V ± 10%
- 行程: 60mm; 30mm
- 阀位精度可现场设定: 0.2mm, 0.5mm, 1mm, 2mm, 3mm
- 高位和低位颜色可现场设定

**Technical Features**

- Single button auto-tuning
- Valve anti-leakage function
- Valve fault feedback function
- Different valve position, different color of LED light
- Signal feedback: PNP NPN passive contact 4-20mA
- Bus communication: IO-Link; AS-I V3.0
- Power supply: DC24V ± 10%
- Stroke: 60mm; 30mm
- The precision of valve position can be set on site: 0.2mm, 0.5mm, 1mm, 2mm, 3mm
- High and low color can be set on site

IO-Link ASI INTERPACK CNEX Ex 本安标识 ATEX Ex db IIC T6 Gc Ex tb IIC T80 CDb II 3 G Ex ic IIC T6 Gc

## 本安防爆系列-阀门控制单元-C-TOP-2211 Intrinsic safety explosion-proof series - Valve Control Unit -C-TOP-2211

V1+V2按钮5S 启动自动阀位整定  
V1+V3按钮5S进入精度和颜色切换设定模式

V1+V2 button 5S  
to start auto-tuning  
V1+V3 button 5S to enter the setting mode  
of precision and color switching

**技术特点**

- 单键自动整定
- 阀门防泄漏功能
- 阀门故障反馈功能
- 不同的阀位显示不同颜色的LED灯
- 信号反馈: PNP NPN 无源触点 4-20mA
- 总线通讯: IO-Link; AS-I V3.0
- 供电: DC24V ± 10%
- 行程: 45mm; 30mm
- 阀位精度可现场设定: 0.2mm, 0.5mm, 1mm, 2mm, 3mm
- 高位和低位颜色可现场设定

**Technical Features**

- Single button auto-tuning
- Valve anti-leakage function
- Valve fault feedback function
- Different valve position, different color of LED light
- Signal feedback: PNP NPN passive contact 4-20mA
- Bus communication: IO-Link; AS-I V3.0
- Power supply: DC24V ± 10%
- Stroke: 45mm; 30mm
- The precision of valve position can be set on site: 0.2mm, 0.5mm, 1mm, 2mm, 3mm
- High and low color can be set on site

IO-Link ASI INTERPACK Ex 本安标识 ATEX II 3 G Ex ic IIC T6 Gc

## 阀门控制单元-C-TOP Valve control unit -C-TOP

本安防爆系列-阀门控制单元-C-TOP-2262  
Intrinsic safety explosion-proof series - Valve Control Unit -C-TOP-2262




V+按钮5S 启动自动阀位整定  
短按V- 8次进入精度和颜色切换设定模式

V+ button 5S to start auto-tuning  
Press V- 8 times to enter the precision and color toggle setting mode

短按一次进入手动模式，  
短按V-则开启电磁阀(谨慎使用)  
Press once shortly to manual mode,  
press V- to open solenoid valve (use with caution)



**技术特点**

- 单键自动整定
- 阀门防泄漏功能
- 阀门故障反馈功能
- 不同的阀位显示不同颜色的LED灯
- 信号反馈: PNP NPN 无源触点 4-20mA
- 总线通讯: IO-Link; AS-I V3.0
- 供电: DC24V ± 10%
- 旋转行程: 0-180°
- 阀位精度可现场设定: ±0.2°, ±0.5°, ±1°, ±1.5°
- 高位和低位颜色可现场设定

**Technical Features**

- Single button auto-tuning
- Valve anti-leakage function
- Valve fault feedback function
- Different valve position, different color of LED light
- Signal feedback: PNP NPN passive contact 4-20mA
- Bus communication: IO-Link; AS-I V3.0
- Power supply: DC24V ± 10%
- Rotation angle: 0-180°
- The precision of valve position can be set on site: ±0.2°, ±0.5°, ±1°, ±1.5°
- High and low color can be set on site

IO-Link ASI CNEX Ex

隔爆系列-阀门控制单元-C-TOP-22A62  
Exd explosion-proof series - Valve Control unit -C-TOP-22A62




V1+V2按钮5S 启动自动阀位整定  
V1+V3按钮5S进入精度和颜色切换设定模式

V1+V2 button 5S to start auto-tuning  
V1+V3 button 5S to enter the setting mode of precision and color switching

**技术特点**

- 单键自动整定
- 阀门防泄漏功能
- 阀门故障反馈功能
- 不同的阀位显示不同颜色的LED灯
- 信号反馈: PNP NPN 无源触点 4-20mA
- 总线通讯: IO-Link; AS-I V3.0
- 供电: DC24V ± 10%
- 旋转行程: 0-180°
- 阀位精度可现场设定: ±0.2°, ±0.5°, ±1°, ±1.5°
- 高位和低位颜色可现场设定

**Technical Features**

- Single button auto-tuning
- Valve anti-leakage function
- Valve fault feedback function
- Different valve position, different color of LED light
- Signal feedback: PNP NPN passive contact 4-20mA
- Bus communication: IO-Link; AS-I V3.0
- Power supply: DC24V ± 10%
- Rotation angle: 0-180°
- The precision of valve position can be set on site: ±0.2°, ±0.5°, ±1°, ±1.5°
- High and low color can be set on site

IO-Link ASI CNEX Ex

## 阀门定位器-IL-TOP Valve positioner -IL-TOP

高精度、阀门防泄漏、  
高效率、高洁净、精度可设定、按钮操作、  
无需拆卸、隔爆&本安防爆双认证

High precision, leakage proof valve,  
High efficiency, high cleanliness, precision can be set  
Push-button operation, no disassembly,  
Exd & intrinsic safety explosion-proof double certification



核心功能  
阀门比例调节  
Core function  
Valve proportional adjustment

隔爆系列-阀门定位器-IL-TOP-21A31/21A32  
Exd explosion-proof series - Valve positioner -IL-TOP-21A31/21A32




**技术特点**

- 单键自动整定功能
- 死区精度可设定
- 故障安全位置设定
- 中英文菜单设置
- 重复定位精度误差≤0.2%
- 阀位保持时不耗气
- 可曲线设置
- 隔爆、本安双认证
- IP66 防护等级

**Technical Features**

- Single button auto-tuning
- Configurable precision of dead zone
- Configurable safe position
- English/Chinese menu setting
- Repeated positioning accuracy error ≤0.2%
- No air consumption when valve position is held
- Adjustable curve can be set
- Exd explosion-proof, intrinsic safety double certification
- IP66 protection grade

**技术参数**  
Technical parameter

供电: DC24V ± 10%  
输入: 0/4-20mA; 0-5V/10V  
输出: 0/4-20mA; 0-5V/10V  
总线通讯: IO-Link; MOD BUS RS485  
Power supply: DC24V ± 10%  
Input: 0/4-20mA; 0-5V/10V  
Output: 0/4-20mA; 0-5V/10V  
Bus communication: IO-Link; MOD BUS RS485

IO-Link Modbus CNEX Ex

# 阀门定位器-IL-TOP Valve positioner -IL-TOP

本安防爆系列-阀门定位器-IL-TOP-2231/2232  
Intrinsic safety explosion-proof series-valve positioner-IL-TOP-2231/2232




**技术参数**  
Technical parameter

供电: DC24V ± 10%  
输入: 0/4-20mA; 0-5V/10V  
输出: 0/4-20mA; 0-5V/10V  
总线通讯: IO-Link; MOD BUS RS485

Power supply: DC24V ± 10%  
Input: 0/4-20mA; 0-5V/10V  
Output: 0/4-20mA; 0-5V/10V  
Bus communication: IO-Link;  
MOD BUS RS485

**技术特点**

- 单键自动整定功能
- 死区精度可设定
- 故障安全位置设定
- 中英文菜单设置
- 重复定位精度误差 ≤ 0.2%
- 阀位保持时不耗气
- 可曲线设置
- 本安防爆认证
- IP66 防护等级

**Technical Features**

- Single button auto-tuning
- Configurable precision of dead zone
- Configurable safe position
- English/Chinese menu setting
- Repeated positioning accuracy error ≤ 0.2%
- No air consumption when valve position is held
- Adjustable curve can be set
- Intrinsic safety explosion-proof certificate
- IP66 protection grade

IO-Link Modbus Ex  
本安标识  
ATEX  
II 3 G Ex ic IIC T6 Gc

本安防爆系列-阀门定位器-IL-TOP-1441/1442  
Intrinsic Safety Explosion-proof Series - Valve positioner -IL-TOP-1441/1442




**技术参数**  
Technical parameter

供电: DC24V ± 10%  
输入: 0/4-20mA; 0-5V/10V  
输出: 0/4-20mA; 0-5V/10V  
总线通讯: IO-Link; MOD BUS RS485

Power supply: DC24V ± 10%  
Input: 0/4-20mA; 0-5V/10V  
Output: 0/4-20mA; 0-5V/10V  
Bus communication: IO-Link;  
MOD BUS RS485

**技术特点**

- 单键自动整定功能
- 死区精度可设定
- 故障安全位置设定
- 中英文菜单设置
- 重复定位精度误差 ≤ 0.2%
- 阀位保持时不耗气
- 调节曲线可设置
- 本安防爆认证
- IP66 防护等级

**Technical Features**

- Single button auto-tuning
- Configurable precision of dead zone
- Configurable safe position
- English/Chinese menu setting
- Repeated positioning accuracy error ≤ 0.2%
- No air consumption when valve position is held
- Adjustable curve can be set
- Intrinsic safety explosion-proof certificate
- IP66 protection grade

IO-Link Modbus Ex  
本安标识  
ATEX  
II 3 G Ex ic IIC T6 Gc

本安防爆系列-阀门定位器-IL-TOP-2201/2202  
Intrinsic Safety Explosion-proof Series - Valve positioner -IL-TOP-2201/2202




**技术参数**  
Technical parameter

供电: DC24V ± 10%  
输入: 0/4-20mA; 0-5V/10V  
输出: 0/4-20mA; 0-5V/10V  
总线通讯: IO-Link; MOD BUS RS485

Power supply: DC24V ± 10%  
Input: 0/4-20mA; 0-5V/10V  
Output: 0/4-20mA; 0-5V/10V  
Bus communication: IO-Link;  
MOD BUS RS485

**技术特点**

- 单键自动整定功能
- 死区精度可设定
- 故障安全位置设定
- 中英文菜单设置
- 重复定位精度误差 ≤ 0.2%
- 阀位保持时不耗气
- 调节曲线可设置
- 本安防爆认证
- IP66 防护等级

**Technical Features**

- Single button auto-tuning
- Configurable precision of dead zone
- Configurable safe position
- English/Chinese menu setting
- Repeated positioning accuracy error ≤ 0.2%
- No air consumption when valve position is held
- Adjustable curve can be set
- Intrinsic safety explosion-proof certificate
- IP66 protection grade

IO-Link Modbus Ex  
本安标识  
ATEX  
II 3 G Ex ic IIC T6 Gc

隔爆系列-阀门定位器-IL-TOP-22A41/22A42  
Exd explosion-proof series - Valve positioner -IL-TOP-22A41/22A42




**技术参数**  
Technical parameter

供电: DC24V ± 10%  
输入: 0/4-20mA; 0-5V/10V  
输出: 0/4-20mA; 0-5V/10V  
总线通讯: IO-Link; MOD BUS RS485

Power supply: DC24V ± 10%  
Input: 0/4-20mA; 0-5V/10V  
Output: 0/4-20mA; 0-5V/10V  
Bus communication: IO-Link;  
MOD BUS RS485

**技术特点**

- 单键自动整定功能
- 死区精度可设定
- 故障安全位置设定
- 中英文菜单设置
- 重复定位精度误差 ≤ 0.2%
- 阀位保持时不耗气
- 可曲线设置
- 隔爆、本安双认证
- IP66 防护等级

**Technical Features**

- Single button auto-tuning
- Configurable precision of dead zone
- Configurable safe position
- English and Chinese menu Settings
- Repeated positioning accuracy error ≤ 0.2%
- No gas consumption when the valve position is maintained
- Curve setting
- Ex d explosion-proof, intrinsic safety double certification
- IP66 protection grade

IO-Link Modbus CNEX Ex  
隔爆标识  
Ex db II C T6 Gb  
Ex tb IIC T80°C Db  
本安标识  
ATEX  
II 3 G Ex ic IIC T6 Gc

# 阀门定位器-IL-TOP Valve positioner -IL-TOP

本安防爆系列-阀门定位器-IL-TOP-1891  
Intrinsic safety explosion-proof series - Valve positioner -IL-TOP-1891





**技术特点**

- 单键自动整定功能
- 死区精度可设定
- 故障安全位置设定
- 英文菜单设置
- 重复定位精度误差≤0.2%
- 阀位保持时不耗气
- 可曲线设置
- 本安防爆认证
- IP66 防护等级

**Technical Features**

- Single button auto-tuning
- Configurable precision of dead zone
- Configurable safe position
- English menu setting
- Repeated positioning accuracy error ≤0.2%
- No gas consumption when the valve position is maintained
- Curve setting
- Intrinsic safety and explosion proof certification
- IP66 protection grade

**技术参数**  
Technical parameter

输入: 4-20mA  
输出: 4-20mA  
总线通讯: HART 6/7  
Input: 4-20 mA  
Output: 4-20mA  
Bus communication: HART 6/7





# 阀门位置反馈器-F-TOP Valve position feedback -F-TOP

高精度、阀门防泄漏、  
高效率、高洁净、精度可设定、按钮操作、  
无需拆卸、隔爆&本安防爆双认证

High precision, leakage proof valve,  
High efficiency, high cleanliness, precision can  
be set Push-button operation, no disassembly,  
Exd & intrinsic safety explosion-proof  
double certification



**核心功能**  
阀门位置反馈  
Core function  
Valve position feedback

## 分体式+直行程阀门定位器 Split + straight stroke valve positioner

IL-TOP1441/1442+J-TOP-23A3



## 分体式+旋转行程阀门定位器 Split + rotary stroke valve positioner

IL-TOP1441/1442+J-TOP-23B4



## 分体式+直行程阀门控制单元 Split + straight stroke valve control unit

C-TOP-2221/21A21+J-TOP-23A3



## 分体式+旋转行程阀门控制单元 Split + rotary stroke valve control unit

C-TOP-2262/22A62+J-TOP-23B4



## 隔爆系列-阀门位置反馈器-F-TOP-22A74 Exd explosion-proof series-Valve position feedback -F-TOP-22A74



按钮8S启动 自动阀位整定  
短按8次后进入精度和颜色切换设定模式  
Button 8S to start auto-tuning  
Press 8 times to enter the precision and  
color switching mode

### 技术特点

- 单键自动整定
- 不同的阀位显示不同颜色的LED灯
- 高位和低位颜色可现场设定
- 总线通讯: IO-Link; AS-I-V3.0
- 信号反馈: PNP NPN 无源触点 4-20mA
- 供电: DC24V.....DC8V
- 旋转行程: 0-180°
- 阀位精度可现场设定: 0.2mm, 0.5mm, 1mm, 2mm, 3mm
- 防护等级: IP67

### Technical Features

- Single button auto-tuning
- Different valve position, different color of LED light
- High and low color can be set on site
- Bus communication: IO-Link; The AS - I - V3.0
- Signal feedback: PNP NPN dry contact 4-20mA
- Power supply: DC24V..... DC8V
- Rotation stroke: 0-180°
- The precision of valve position can be set on site: 0.2mm, 0.5mm, 1mm, 2mm, 3mm
- Protection level: Ip67



## 阀门位置反馈器-F-TOP Valve position feedback -F-TOP

隔爆系列-阀门位置反馈器-F-TOP-22A53  
Exd explosion-proof series-Valve position feedback-F-TOP-22A53



按钮8S启动 自动阀位整定  
短按8次后进入精度和颜色切换设定模式  
Button 8S to start auto-tuning  
Press 8 times to enter the precision and color switching mode

**技术特点**

- 单键自动整定
- 阀门防泄漏功能
- 阀门故障反馈功能
- 不同的阀位显示不同颜色的LED灯
- 信号反馈: PNP NPN 无源触点 4-20mA
- 总线通讯: IO-Link; AS-I V3.0
- 供电: DC24V.....DC8V
- 行程: 60mm; 30mm
- 阀位精度可现场设定: 0.2mm, 0.5mm, 1mm, 2mm, 3mm
- 高位和低位颜色可现场设定
- 防护等级: IP67

**Technical Features**

- Single button auto-tuning
- Valve anti-leakage function
- Valve fault feedback function
- Different valve position, different color of LED light
- Signal feedback: PNP NPN dry contact 4-20mA
- Bus communication: IO-Link; AS-I V3.0
- Power supply: DC24V..... DC8V
- Stroke: 60mm; 30mm
- The precision of valve position can be set on site: 0.2mm, 0.5mm, 1mm, 2mm, 3mm
- High and low color can be set on site
- Protection level: Ip67

IO-Link AS-I INTERFACE CNEX Ex db II C T6 Gb Ex db II IC T80°C Db 本安标识 ATEX II 3 G Ex ic IIC T6 Gc

## 阀门位置反馈器-ITS/APL Valve position Feedback -ITS/APL

基本型-阀门位置反馈器-ITS-100/APL-210  
Basic variant - Valve position feedback -ITS-100/APL-210



ITS-100  
APL-210

本安防爆系列-阀门位置反馈器-F-TOP-2253  
Intrinsic safety explosion-proof series-Valve position feedback-F-TOP-2253



按钮8S启动 自动阀位整定  
短按8次后进入精度和颜色切换设定模式  
Button 8S to start auto-tuning  
Press 8 times to enter the precision and color switching mode

**技术特点**

- 单键自动整定
- 阀门防泄漏功能
- 阀门故障反馈功能
- 不同的阀位显示不同颜色的LED灯
- 信号反馈: PNP NPN 无源触点 4-20mA
- 总线通讯: IO-Link; AS-I V3.0
- 供电: DC24V.....DC8V
- 行程: 60mm; 30mm
- 阀位精度可现场设定: 0.2mm, 0.5mm, 1mm, 2mm, 3mm
- 高位和低位颜色可现场设定
- 防护等级: IP68

**Technical Features**

- Single button auto-tuning
- Valve anti-leakage function
- Valve fault feedback function
- Different valve position, different color of LED light
- Signal feedback: PNP NPN dry contact 4-20mA
- Bus communication: IO-Link; AS-I V3.0
- Power supply: DC24V..... DC8V
- Stroke: 60mm; 30mm
- The precision of valve position can be set on site: 0.2mm, 0.5mm, 1mm, 2mm, 3mm
- High and low color can be set on site
- Protection level: Ip68

IO-Link AS-I INTERFACE Ex Ex ic IIC T6 Gc 本安标识 ATEX II 3 G Ex ic IIC T6 Gc

隔爆系列-机械式阀门位置反馈器-ITS-300/APL-500  
Exd explosion-proof series- Mechanical valve position feedback -ITS-300/APL-500



ITS-300  
APL-500

# 不锈钢气动执行器 Stainless steel pneumatic actuator



立式气动执行器是一款立式旋转执行器，该执行器具有扭矩大、体积小、功能配置组合灵活、启闭速度快等技术特点；该执行器可应用在蝶阀，球阀等各种角行程阀门上。还可以配置各种自动控制功能，如阀门位置反馈器、阀门控制单元、过程控制器、阀门智能定位器等。

The vertical pneumatic actuator is a vertical rotary actuator. It has the characteristics of large torque, small size, flexible function configuration and fast opening and closing speed. The actuator can be applied to various angles such as butterfly valve and ball valve. On the stroke valve. Various automatic control functions such as valve position feedback, valve control unit, process controller, valve intelligent positioner, etc. can also be configured.

## 通用型气动执行器

可以通过更换连接器即实现安装各种控制器

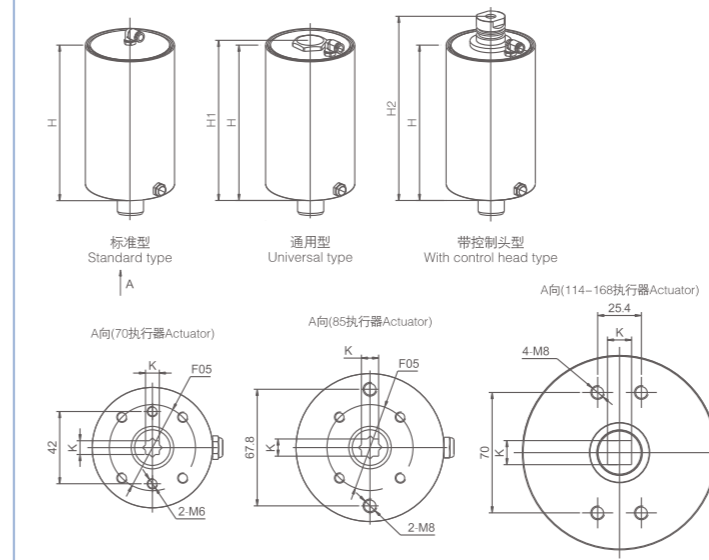
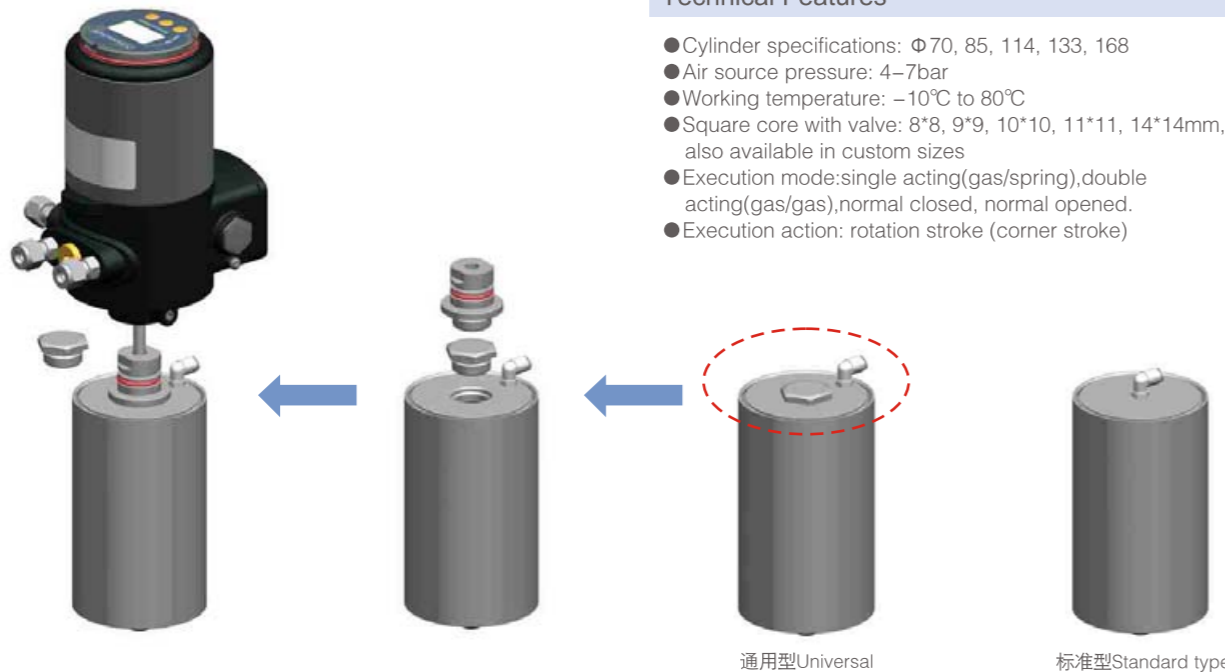
General Purpose Pneumatic Actuator  
Various controllers can be installed by replacing the connectors

### 技术特点

- 气缸规格：Φ70, 85, 114, 133, 168
- 气源压力：4-7bar
- 工作温度：-10℃至80℃
- 与阀门连接方芯：8\*8, 9\*9, 10\*10, 11\*11, 14\*14mm, 也可定制尺寸
- 执行方式：单作用(气/弹簧), 双作用(气/气), 常闭、常开
- 执行动作：旋转行程(角行程)

### Technical Features

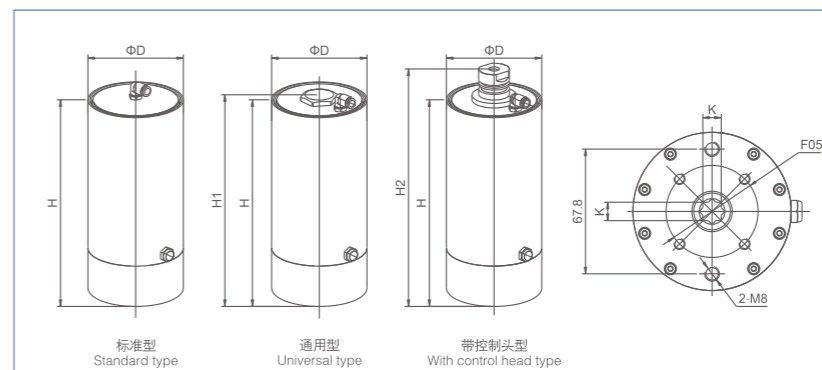
- Cylinder specifications: Φ70, 85, 114, 133, 168
- Air source pressure: 4-7bar
- Working temperature: -10℃ to 80℃
- Square core with valve: 8\*8, 9\*9, 10\*10, 11\*11, 14\*14mm, also available in custom sizes
- Execution mode: single acting(gas/spring), double acting(gas/gas), normal closed, normal opened.
- Execution action: rotation stroke (corner stroke)



输出角度  
Output Angle 90°

规格	ΦD	K × K	标准型	通用型	带控制头型	空气耗量(ml/循环次)	
			H	H1	H2	单作用(气/弹簧) Single acting (gas/spring)	双作用(气/气) Double acting (gas/gas)
70执行器	70	8 × 8/10 × 10	122	127	167	111	336
85执行器	86	8 × 8/10 × 10/11 × 11	144.5	149.5	174.5	216	657
114执行器	113	11 × 11/14 × 14	198	203	225	450	1347
133执行器	133	11 × 11/14 × 14	235	240	265	822	2510
168执行器	166	14 × 14	255	260	285	1412	4465

注意: 耗气量(ml)是指气动执行器每次动作的损耗的气量; 扭矩是基于5bar气源压力。  
Note: Air consumption (ml) refers to the amount of air lost by the pneumatic actuator for each action; the torque is based on the 5 bar air supply pressure.



输出角度  
Output Angle 180°

规格	ΦD	K × K	标准型	通用型	带控制头型	空气耗量(ml/循环次)	
			H	H1	H2	单作用(气/弹簧) Single acting (gas/spring)	双作用(气/气) Double acting (gas/gas)
85执行器	86	8 × 8/10 × 10/11 × 11	184	189	214	216	657
114执行器	113	11 × 11/14 × 14	237.5	242.5	267.5	450	1347
133执行器	133	11 × 11/14 × 14	274.5	279.5	304.5	822	2510
168执行器	166	14 × 14	294.5	299.5	324.5	822	2510

注意: 耗气量(ml)是指气动执行器每次动作的损耗的气量; 扭矩是基于5bar气源压力。  
Note: Air consumption (ml) refers to the amount of air lost by the pneumatic actuator for each action; the torque is based on the 5 bar air supply pressure.

# 不锈钢气动执行器 Stainless steel pneumatic actuator

各种功能配置气动执行器 Various functions are configured with pneumatic actuators



有关控制器详细功能，请查阅控制器章节  
Consulting the Controller section for detailed functions of the controller

外置电磁阀+过滤减压阀  
External solenoid valve + filter pressure reducing valve



连接器可以安装各种阀门控制器，其包括阀门定位器、控制单元、位置反馈器等各种功能配置  
Connectors can be installed with a variety of valve controllers, including valve positioner, control unit, position feedback and other functional configurations

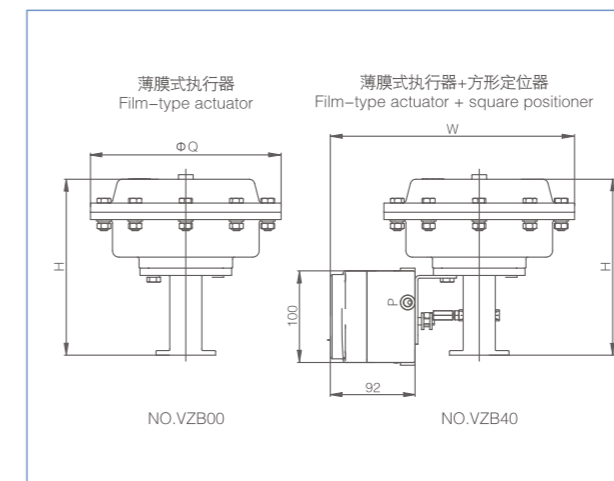
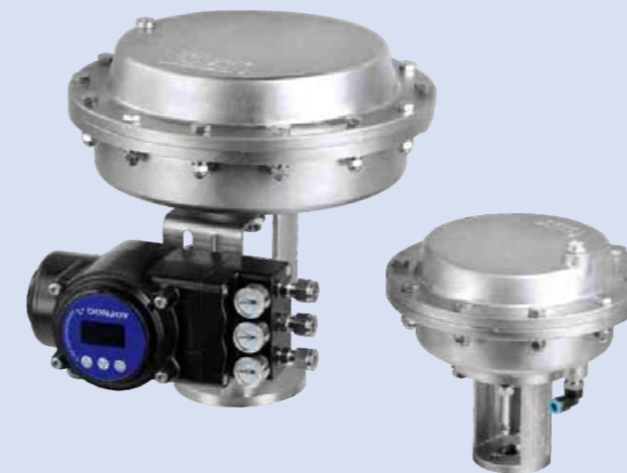


本安防爆反馈器 Intrinsic safety explosion-proof feedback unit  
 隔爆反馈器 Ex d Explosion-proof feedback unit  
 本安防爆迷你控制器 Bensafe explosion-proof mini controller  
 本安防爆控制器 Intrinsic safety explosion-proof controller  
 隔爆控制器 Ex d Explosion-proof controller

# 薄膜气动执行器 Film-type pneumatic actuator

薄膜式气动执行器是一款立式直行程执行器，该执行器具有功能配置组合非常灵活、启闭速度快，全不锈钢的材质等技术特点；该执行器可应用在截止阀、球阀等各种直行程的阀门上。还可以配置各种自动控制功能，如阀门位置反馈器、阀门控制单元、过程控制器、阀门智能定位器等。

Film-type pneumatic actuator is a vertical linear actuator. The actuator has the technical characteristics of flexible configuration and combination, fast opening and closing speed, all stainless steel material, etc.; the actuator can be applied to globe valves, seat valves, etc. Various linear stroke valves. Various automatic control functions can also be configured, such as valve position feedback, valve control unit, process controller, valve intelligent positioner, etc.



## 技术特点

- 气缸规格：Φ 150, 250
- 气源压力：4-7bar
- 工作温度：-10°C至80°C
- 执行方式：单作用(常闭、常开)，双作用(气/气)
- 执行动作：直线行程(直行程)

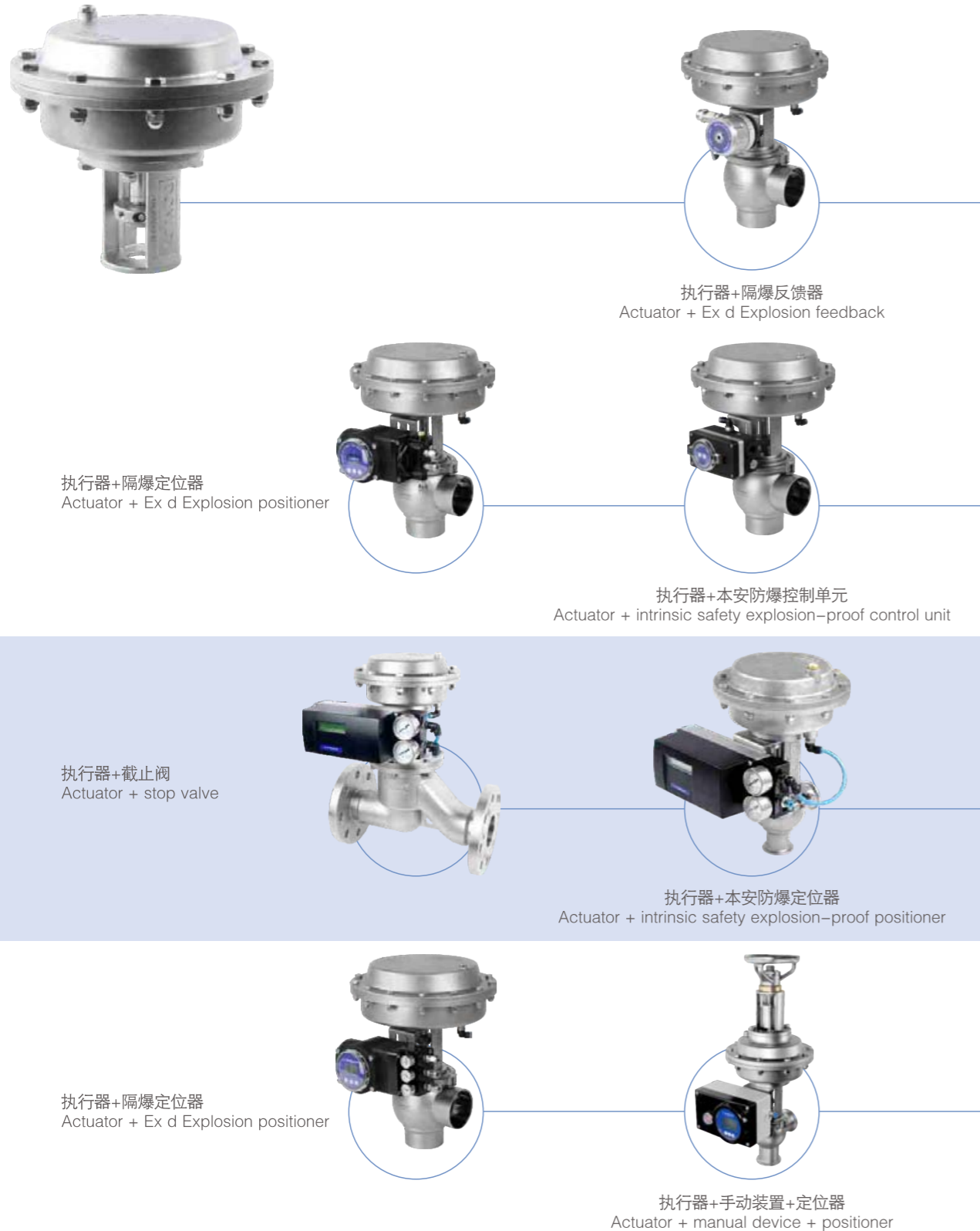
## Technical Features

- Cylinder specifications: Φ 150, 250
- Air source pressure: 4-7bar
- Working temperature: -10°C to 80°C
- Execution mode: single acting(gas/spring), double acting(gas/gas), normal closed, normal opened.
- Execution action: linear stroke (straight stroke)

规格	尺寸表mm			耗气量 L			推力 N	
	Q	H	W	单作用 Single acting		双作用 Double acting 气/气	单作用 Single acting (5bar)	双作用 Double acting (5bar)
				常闭	常开			
150	208	190	265	0.59	0.62	1.6	2400	8800
250	300	224	312	2.1	2.2	5.6	6000	24000

注意：耗气量是指气动执行器每次动作的损耗的气量；推力是基于5bar气源压力。  
Note: Air consumption refers to the amount of air lost by the pneumatic actuator for each action; The thrust is based on the 5 bar gas source pressure.

## 薄膜气动执行器 Thin film pneumatic actuator



## 卧式气动执行器 Horizontal pneumatic actuator



### 技术特点

- 气缸规格：Φ32……Φ400
- 气源压力：2-8bar
- 工作温度：-10℃至80℃
- 与阀门连接方芯：□11~□55(mm)，也可定制
- 执行方式：单作用(气/弹簧)，双作用(气/气)，常闭、常开
- 执行动作：旋转行程(角行程)
- 行程范围：0-90°，0-120°，0-180°
- 安装标准：ISO 5211 DIN 3337
- 外观颜色：本身、红色、蓝色、白色、咖啡色
- 两端颜色：本身、黑色、蓝色、灰色

### Technical Features

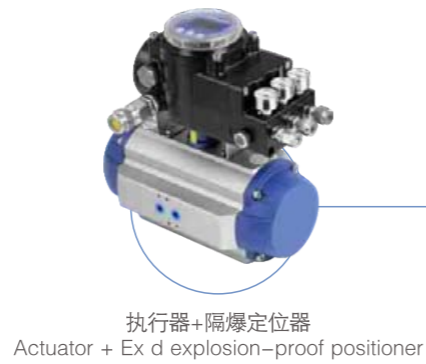
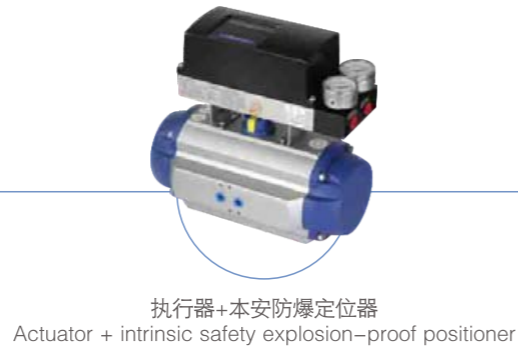
- Cylinder specifications: Φ32... Φ400
- Air source pressure: 2-8bar
- Working temperature: -10℃ to 80℃
- Square core to valve □11-□55(mm). Also available in custom size
- Execution mode: Single-acting (gas/spring), double-acting (gas/gas), normally closed, normally open
- Execution action: Rotational stroke (corner stroke)
- Travel range: 0-90° , 0-120° , 0-180°
- Installation standard: ISO 5211 DIN 3337
- Appearance color: itself, red, blue, white, brown
- Both ends of the color: itself, black, blue, gray

## 卧式气动执行器 Horizontal pneumatic actuator



执行器角度:  
0-90° ; 0-120° ; 0-180°  
外壳颜色可选  
功能配置可选

Actuator Angle:  
0-90° ; 0-120° ; 0-180°  
Case color is optional  
Function Configuration Optional



执行器+隔爆控制单元  
Actuator + Ex d explosion-proof control unit



不锈钢执行器+阀门  
Stainless steel actuator + Valve



## 电动执行器 Electric actuator



低噪音、低功耗、大扭矩、  
IP68防护、功能多样、转速可选  
Low noise, low power consumption,  
high torque, IP68 protection, versatility,  
speed optional



### 技术特点

- 扭矩: 15N.M~2000N.M
- 电源: AC24V/110V/220V/380V; DC12V/ V24V/220V
- 运行速度: 0-90° 10S,15S,20S,30S,50S
- 工作温度: -20°C 到 +60°C
- 执行动作: 旋转行程(角行程)
- 防护等级: IP68
- 防爆等级: EX DII BT4
- 功能配置: 开关型、无源触点型、智能调节型、位置反馈型

### Technical Features

- Torque: 15N.M~2000N.M
- Power supply: AC24V/110V/220V/380V; DC12V/V24V/220V
- Operating speed: 0-90° 10S, 15S, 20S, 30S, 50S
- Operating temperature: -20 ° C to +60 ° C
- Execution action: Rotational stroke (corner stroke)
- Protection level: IP68
- Explosion-proof grade: EX DII BT4
- Function configuration: switch type, passive contact type, intelligent adjustment type, position feedback type

迷你型电动执行器  
Mini electric actuator



扭矩Torque ≤ 20NM, 输出Output 90°



电动蝶阀  
Electric butterfly valve

# 电动执行器 Electric actuator



# 隔膜阀 Diaphragm valve

## GM-type



东正制造高洁净隔膜阀已经有20年历史，且为各领域应用超过50多万只，涉及到品种超过300余种，从直通、三通、U型三通、多通道、调节式，手动、气动、电动可互换。

Donjoy has been manufacturing high-cleanliness diaphragm valves for 20 years and has applied more than 500,000 pieces in various fields, involving more than 300 varieties, such as 2-way, 3-way, U-shaped 3-way, multi-ports, adjustable, manual, pneumatic, electric, etc. And they are interchangeable.



### 隔膜阀认证

- 制造工艺中用到的所有合成树脂和添加剂都符合FDA认证
- 材料化学成分、物理性能和制造工艺都备有证明文件
- 所有隔膜片FDA一致性认证
- -21-CFR-FDA 177.1550 全氟合成树脂
- -21-CFR-FDA-177.2600 橡胶
- USP 28CLASS VI CHAPTER 87 IN VITON和CHAPTER 88 IN-VITON一致性认证
- 3-A一致性认证 N.O.: 54-02-1580
- EN 10204-3.1关于不锈钢化学成分合成追溯性证书
- CE-PED/97/23/EC N.O.: TUV DGR 0036-QS-1153-14

### Certificates

- All synthetic resin and additive are comply with FDA certification
- Material chemical composition, physical properties and manufacturing process are documented
- All diaphragm seal consistency with FDA certificate
- -21-CFR-FDA 177.1550 perfluorocarbon synthetic resin
- -21-CFR-FDA-177.2600 rubber
- USP 28 class VI CHAPTER 87 IN VITON and CHAPTER 88 IN - VITON consistency the authentication
- 3-A consistency authentication NO: 54-02-1580
- EN 10204-3.1 Certificate on traceability of stainless steel Chemical composition synthesis
- CE-PED/97/23/EC N.O.: TUV DGR 0036-QS-1153-14



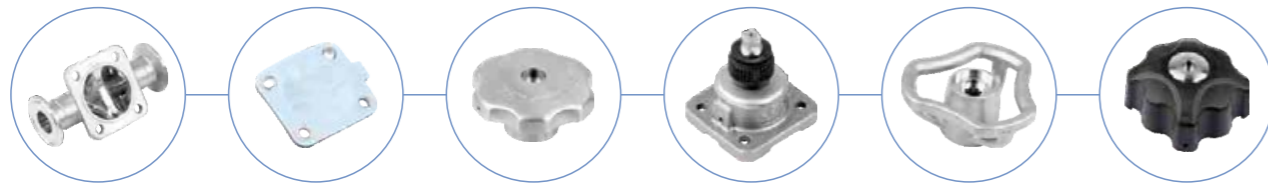
# 隔膜阀 Diaphragm valve

## 技术特点

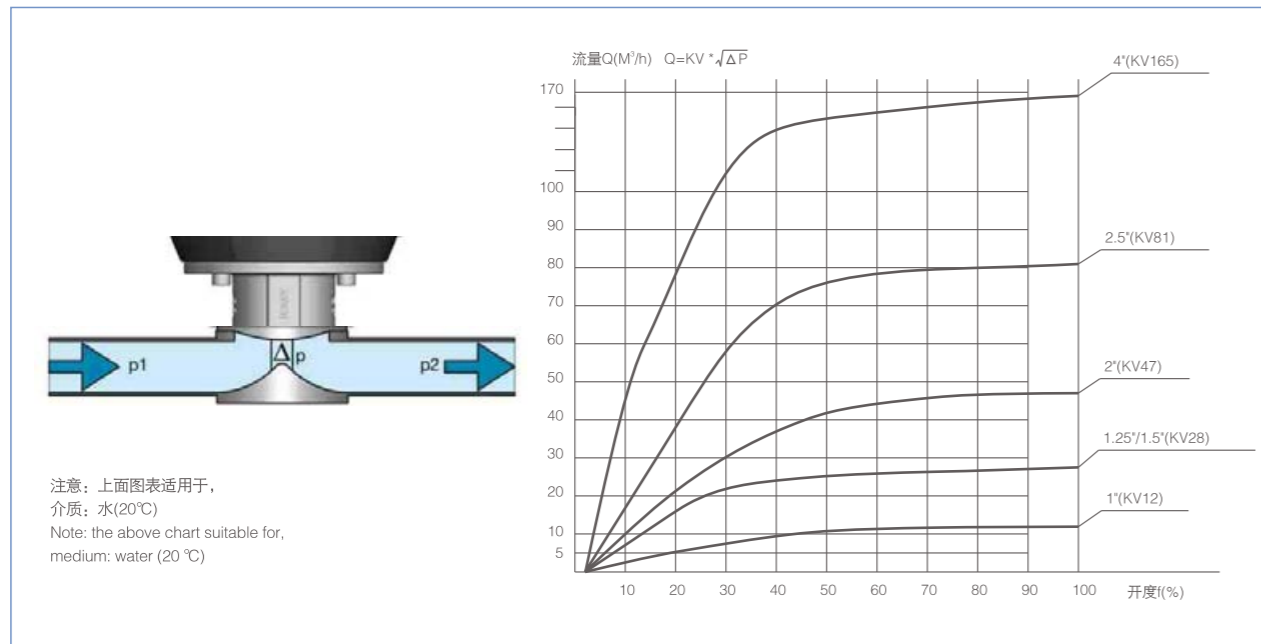
- 规格: 1/4"-4", DN6-DN100
- 材质: 316L/1.4404, ASME BPE 316L 1.4435 NB2 Fe≤0.5%
- 压力: 真空 ~10bar(1.0 Mpa)
- 温度: -20°C 到 +150°C, 取决于密封于材质
- 密封: EPDM SILICON FKM FFKM HNBR NBR EPDM+PTFE
- 连接标准: DIN SMS ISO IDF RJT BS4825 ASME BPE 3A DIN11864 DIN11853
- 连接方式: 螺纹、卡箍、焊接、法兰
- 驱动方式: 手动、气动、电动
- 粗糙度: Ra≤0.6 μm; MP=Ra≤0.3 μm; EP=Ra≤0.3 μm
- 认证: FDA 177.2600; 3A-18-03; Glass II USP Glass VI Chapter 88; GB4806.11; EG VO/1935-2004; PED/97/23/EC.

## Technical Features

- Size: 1/4"-4", DN6-DN100
- Material: 316L/1.4404, ASME BPE 316L 1.4435 NB2 Fe≤0.5%
- Pressure: vacuum to 10bar (1.0 Mpa)
- Temperature: -20°C to +150°C, Depending on the seal material
- Seal: EPDM SILICON FKM FFKM HNBR NBR EPDM+PTFE
- Connection standard: DIN SMS ISO IDF RJT BS4825 ASME BPE 3A DIN11864 DIN11853
- Connection way: threaded, clamp, welding, flange
- Drive mode: manual, pneumatic, electric
- Roughness: Ra≤0.6 μm; MP=Ra≤0.3 μm; EP=Ra≤0.3 μm
- Certification: FDA 177.2600; 3A-18-03; Glass II USP Glass VI Chapter 88; GB4806.11; EG VO/1935-2004; PED/97/23/EC.



隔膜阀流量/选择(开度f)图表 Diaphragm valve flow /choose (open degree f) chart



注意: 开关量KV曲线仅供参考, 100%开度为精确KV值 Note: On-off KV curve for reference, 100% open is accurate KV value

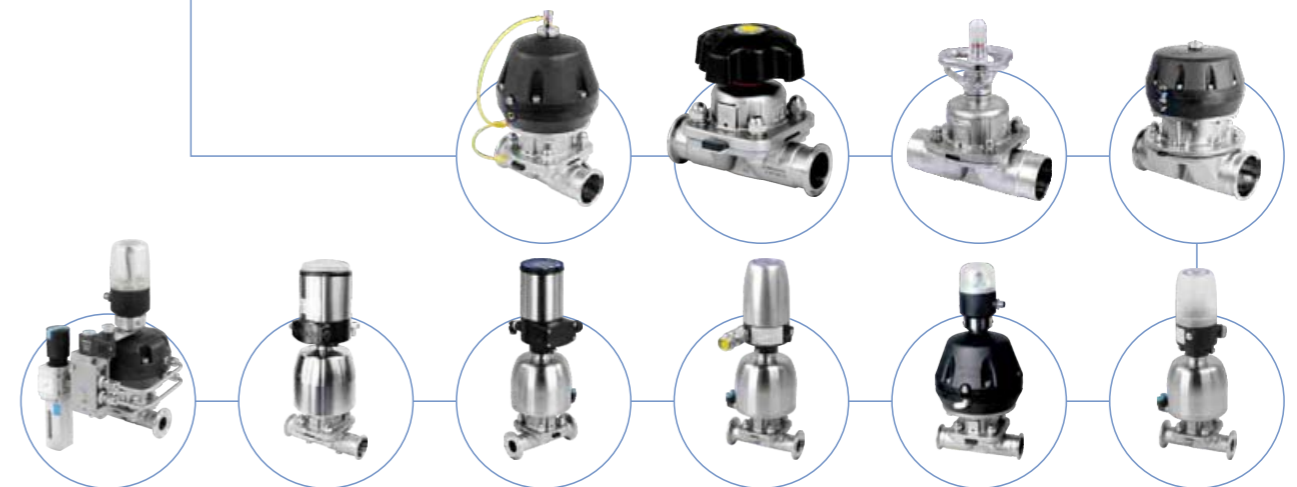
## GM-Mini type

迷你隔膜阀  
Mini diaphragm valve



## GM-Z type

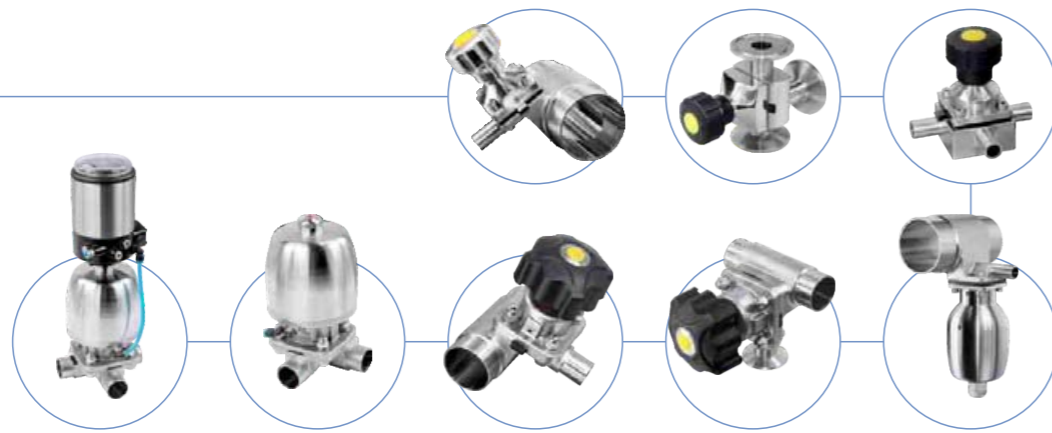
直通隔膜阀  
2-way diaphragm valve



隔膜阀  
Diaphragm valve

GM-T type

三通隔膜阀  
Three-way diaphragm valve



GM-UB type

三通隔膜阀-UB  
Three-way diaphragm valve-UB



GM-UC type

三通隔膜阀-UC  
Three-way diaphragm valve-UC



组合式多通道隔膜阀  
Combined multi-port diaphragm valve

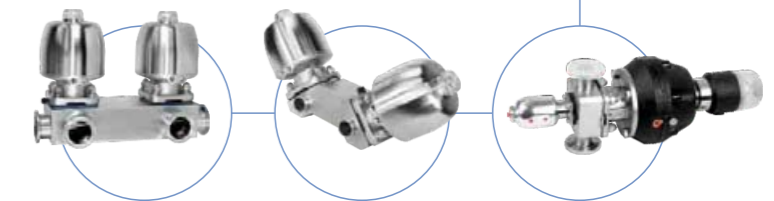
组合式多通道隔膜阀设计方案不计其数，以下仅为例举；  
我们设计死区方案遵循 $\leq 3D$ 为原则。

Multi-port diaphragm valve has a great diversity of design scheme, below only for example;  
the design scheme according to dead zone  $\leq 3D$ .



因多通道隔膜阀设计多达100多种，以下仅为例举，也可按照用户实际需求定制，  
我们设计死区方案遵循 $\leq 1D$ 为原则。

As design of multi-port diaphragm valve more than 100 types, below only for example, also  
can be customized according to customer's request, the design scheme according to dead  
zone  $\leq 1D$ .



GM-GD type

罐底隔膜阀  
Tank bottom diaphragm valve



# 径向隔膜阀 Radial diaphragm valve

## GM-JX type



具有维护安装简单、高效、体积小、重量轻、流阻小，经济等特点。阀体组合形式多达20余种设计。

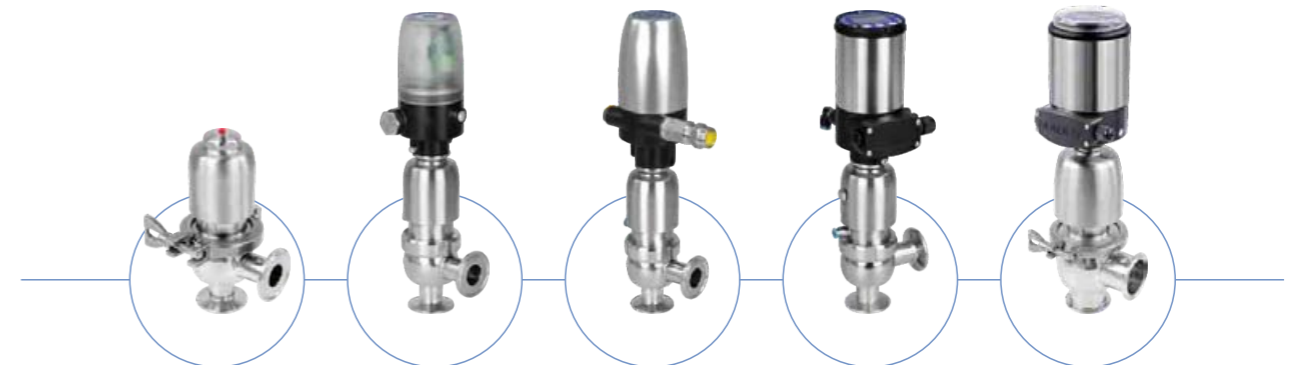
It has the characteristics of simple maintenance and installation, high efficiency, small size, light weight, low flow resistance and economy. There are more than 20 types of valve body combinations.

### 技术特点

- 规格: 1/2"-3", DN10-DN65
- 材质: 316L/1.4404, ASME BPE 316L 1.4435 NB2 Fe≤0.5%
- 压力: 真空~10bar(1.0 Mpa)
- 温度: -20°C 到 +150°C, 取决密封于材质
- 密封: EPDM FKM PTFE
- 连接标准: DIN SMS ISO IDF RJT BS4825 ASME BPE 3A DIN11864 DIN11853
- 连接方式: 螺纹、卡箍、焊接、法兰
- 驱动方式: 手动、气动、电动
- 粗糙度: Ra≤0.6 μm; MP=Ra≤0.3 μm; EP=Ra≤0.3 μm
- 认证: FDA 177.2600; 3A-18-03; Glass II USP Glass VI Chapter 88; GB4806.11; EG VO/1935-2004; PED/97/23/EC.

### Technical Features

- Size: 1/2"-3", DN10-DN65
- Material: 316L/1.4404, ASME BPE 316L 1.4435 NB2 Fe≤0.5%
- Pressure: vacuum to 10bar (1.0Mpa)
- Temperature: -20°C to +150°C, Depending on the seal material
- Seal: EPDM FKM PTFE
- Connection standard: DIN SMS ISO IDF RJT BS4825 ASME BPE 3A DIN11864 DIN11853
- Connection way: threaded, clamp, welding, flange
- Drive mode: manual, pneumatic, electric
- Roughness: Ra≤0.6 μm; MP=Ra≤0.3 μm; EP=Ra≤0.3 μm
- Certification: FDA 177.2600; 3A-18-03; Glass II USP Glass VI Chapter 88; GB4806.11; EG VO/1935-2004; PED/97/23/EC.



手动径向隔膜阀  
Manual Radial diaphragm valve

手动罐底径向隔膜阀  
Manual tank bottom radial diaphragm valve

多通道径向隔膜阀  
Multi-channel radial diaphragm valve



### 隔膜阀认证

- 制造工艺中用到的所有合成树脂和添加剂都符合FDA认证
- 材料化学成分、物理性能和制造工艺都备有证明文件
- 所有隔膜片FDA一致性认证
- 21-CFR-FDA 177.1550 全氟合成树脂
- 21-CFR-FDA-177.2600 橡胶
- USP 28CLASS VI CHAPTER 87 IN VITON和CHAPTER 88 IN-VITON一致性认证
- 3-A一致性认证 NO.: 54-02-1580
- EN 10204-3.1关于不锈钢化学成分合成追溯性证书
- CE-PED/97/23/EC N.O.: TUV DGR 0036-QS-1153-14

### Certificates

- All synthetic resin and additive are comply with FDA certification
- Material chemical composition, physical properties and manufacturing process are documented
- All diaphragm seal consistency with FDA certificate
- 21-CFR-FDA 177.1550 perfluorocarbon synthetic resin
- 21-CFR-FDA-177.2600 rubber
- USP 28 class VI CHAPTER 87 IN VITON and CHAPTER 88 IN - VITON consistency the authentication
- 3 - A consistency the authentication NO.: 54-02-1580
- EN 10204-3.1 Certificate on traceability of stainless steel Chemical composition synthesis
- CE-PED/97/23/EC N.O.: TUV DGR 0036-QS-1153-14

## 对夹蝶阀 D71 Wafer Butterfly Valve

### DF-D71 type



小扭矩，长寿命  
非常灵活的功能配置  
Small torque, Long life  
Very flexible function configuration

#### 技术特点

- 规格 SIZE: 1.5"-12", DN40-DN300
- 材质Material: 阀体 CF8(304); 阀板 CF3M(316L); CF8(304); 不锈钢+PFA
- 压力: PN10; PN16
- 温度: EPDM -20°C 到 +130°C, 取决密封于材质
- 密封: EPDM SILICON FKM HNBR NBR PTFE TFM
- 连接方式: 对夹式, 凸耳式
- 驱动方式: 手动、气动、电动

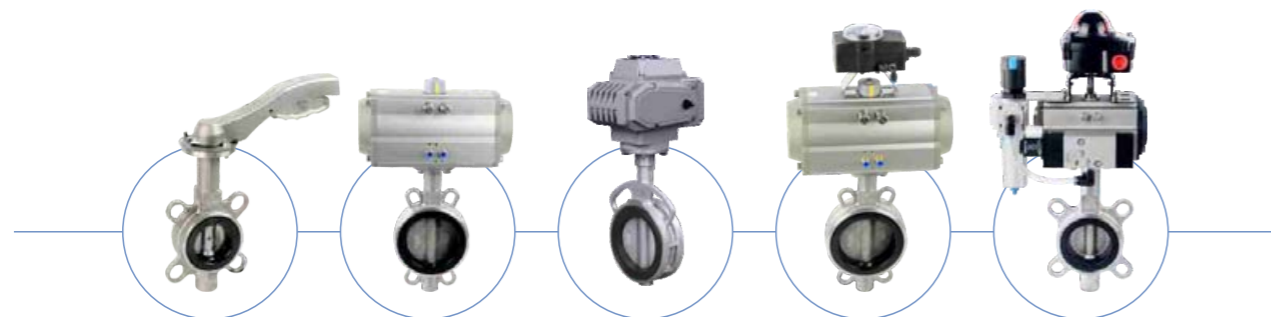
#### Technical Features

- Size: 1.5"-12", DN40-DN300
- Material: Valve body CF8 (304); Valve plate CF3M (316L); CF8 (304); Stainless steel + PFA
- Pressure: PN10; Pn16
- Temperature: EPDM -20°C to +130°C, Depending on the seal material
- Seal: EPDM SILICON FKM HNBR NBR PTFE TFM
- Connection method: clip type, lug type
- Drive mode: manual, pneumatic, electric

#### 操作扭矩 Operating torque(N.M)

操作扭矩 Operating torque(N.M)	DN40/-1.5"	DN50/-2"	DN65/-2.5"	DN80/-3"	DN100/-4"	DN125/-5"	DN150/-6"	DN200/-8"	DN250/-10"	DN300/-12"
	18	25	30	50	50	60	75	80	100	130

在压力10kgr/cm<sup>2</sup>下检测 Test under pressure of 10kgrs cm<sup>2</sup>



## 同步三通蝶阀 Synchronous Three-way Butterfly Valve

### DF-3T type



#### 同步三通蝶阀:

一个驱动装置即可实现L型和T型三通应用, 启闭同步、小扭矩、长寿命、无滞留、无死角、非常灵活功能组合、且具有高效、经济、简单。

#### Synchronous three-way butterfly valve:

One drive device can realize L-type and T-type three-way applications, opening and closing synchronization, low torque, long life, no retention, no dead angles, very flexible function combination, and it is efficient, economical and simple.

#### 技术特点

- 规格: 1"-4", DN25-DN100
- 材质: 304/1.4301, 316L/1.4404, ASME BPE 316L 1.4435 NB2 Fe≤0.5%
- 压力: 真空 ~10bar(1.0 MPa)
- 温度: EPDM -20°C 到 +130°C, 取决密封于材质
- 密封: EPDM SILICON FKM FFKM HNBR FVMQ NBR
- 连接标准: DIN SMS ISO IDF RJT BS4825 ASME BPE 3A DIN11864 DIN11853
- 连接方式: 螺纹、卡箍、焊接、法兰
- 驱动方式: 手动、气动、电动
- 光洁度: Ra≤0.8 μm; MP=Ra≤0.3 μm; EP=Ra≤0.3 μm
- 认证: FDA 177.2600; 3A-18-03; Glass II USP Glass VI Chapter 88; GB4806.11; EG VO/1935-2004; PED/97/23/EC

#### Technical Features

- Size: 1"-4", DN25-DN100
- Material: 304/1.4301, 316L/1.4404, ASME BPE 316L 1.4435 NB2 Fe≤0.5%
- Pressure: Vacuum to 10bar (1.0 MPa)
- Temperature: EPDM -20°C to +130°C, Depending on the seal material
- Seal: EPDM SILICON FKM FFKM HNBR FVMQ NBR
- Connection standard: DIN SMS ISO IDF RJT BS4825 ASME BPE 3A DIN11864 DIN11853
- Connection method: thread, clamp, welding, flange
- Drive mode: manual, pneumatic, electric
- Finish: Ra≤0.8 μm; MP=Ra≤0.3 μm; EP=Ra≤0.3 μm
- Certification: FDA 177.2600; 3A-18-03; Glass II USP Glass VI Chapter 88; GB4806.11; EG VO/1935-2004; PED/97/23/EC

#### 操作扭矩 Operating torque(N.M)

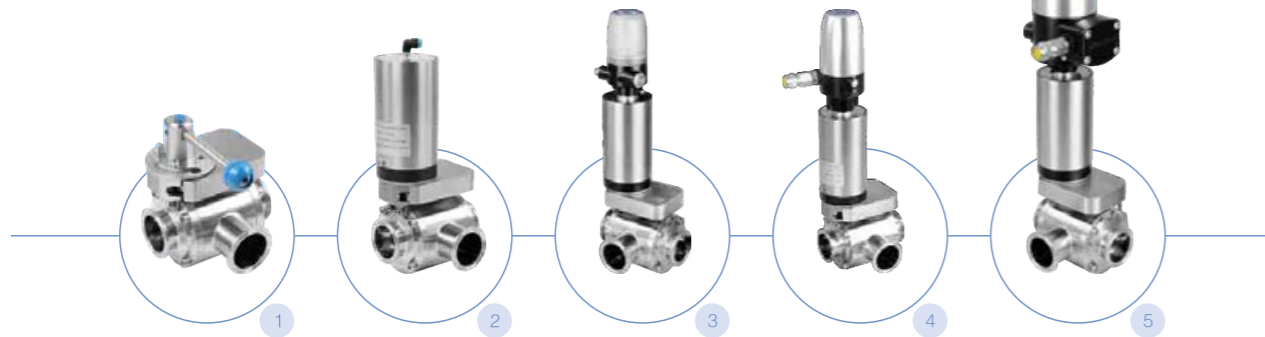
操作扭矩 Operating torque(N.M)	25-1"	40-1 1/2"	50-2"	2 1/2"	65	3"	80	100-4"	125	150
	3	4	5	10	12	14	18	25	40	55

在压力10kgr/cm<sup>2</sup>下检测 Test under pressure of 10kgrs cm<sup>2</sup>

# 同步三通蝶阀 Synchronous Three-way Butterfly Valve

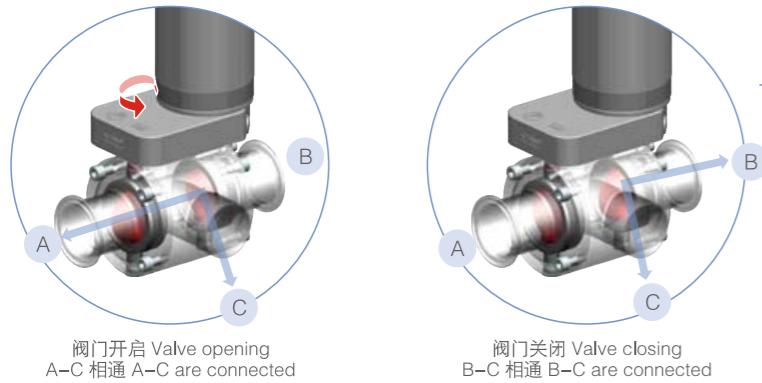
## 同步三通蝶阀 Synchronous three-way butterfly valve

- 1: 手动三通蝶阀 1: Manual three-way butterfly valve
- 2: 气动三通蝶阀 2: Pneumatic three-way butterfly valve
- 3: 气动三通蝶阀+反馈器 3: Pneumatic three-way butterfly valve + feedback device
- 4: 气动三通蝶阀+控制器 4: Pneumatic three-way butterfly valve + controller
- 5: 气动三通蝶阀+阀门定位器 5: Pneumatic three-way butterfly valve + valve positioner



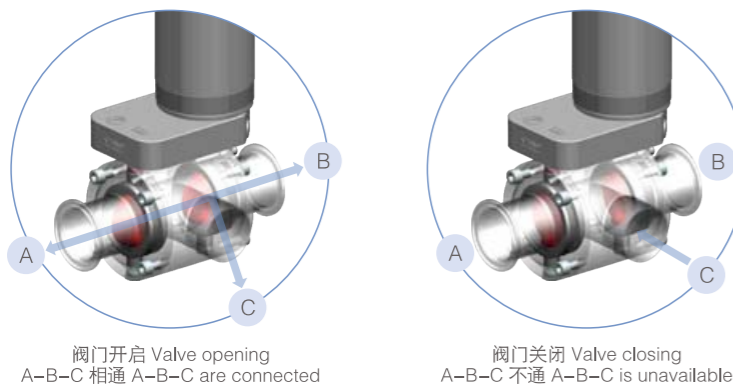
## 三通蝶阀工作示意图 Working diagram of three-way butterfly valve

L型三通蝶阀工作示意图 L type three-way butterfly valve working diagram



工作示意图仅作为参考具体流体方向可任意定义，从也从T型三通变化为L型三通，而无需增加任何配件。

T型三通蝶阀工作示意图 T type three-way butterfly valve working diagram

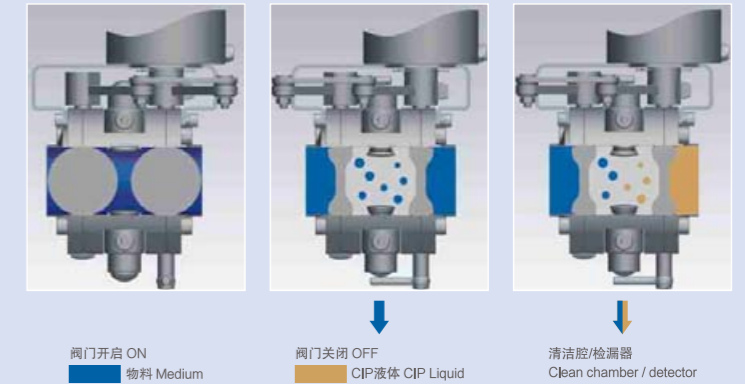


The working diagram is for reference only and the direction of the fluid can be defined arbitrarily, changing from T tee to L tee without adding any fittings.

# 防混蝶阀 Mixproof butterfly valve



双座密封保护、内泄露可观察、  
阀腔可清洗、零污染风险  
Double seat seal protection, Internal leakage can be observed, Valve cavity can be cleaned, Zero pollution risk



## 产品概述

DF-FHB系列防混双座蝶阀是一款广泛应用于食品、制药、饮料、啤酒、白酒、水处理、化妆品、新能源、日化洗涤等各种行业流体过程应用。该防混蝶阀提供了简易及安全的物料分离方式以便在密封圈损坏的情况下也能防止物料的意外混合。它最常用于隔离那些需要安全分离的物料以及单组CIP清洗(不是阀阵组件), 或者在阀阵组件终端(例如CIP回程)或者CIP溶液输入到罐内(通过清洗球)。

## Product description

DF-FHB series mixproof double seat butterfly valve is widely used in various industrial fluid process applications such as food, pharmaceutical, beverage, beer, liquor, water treatment, cosmetics, new energy, daily washing and so on. The mixproof butterfly valve provides an easy and safe means of material separation to prevent accidental mixing of materials in the event of damage to the seal. It is most commonly used to isolate materials that require safe separation and a single set of CIP cleaning (not a valve array assembly), or into the tank assembly terminal (eg, CIP return) or CIP solution into the tank (by cleaning the ball).

## 技术特点

- 规格: 1.5"-4", DN40-DN100
- 材质: 304/1.4301, 316L/1.4404, ASME BPE 316L 1.4435 NB2 Fe≤0.5%
- 压力: 真空 ~10bar (1.0 MPa)
- 温度: EPDM -20°C 到 +130°C, 取决密封于材质
- 密封: EPDM SILICON FKM FFKM HNBR FVMQ NBR
- 连接标准: DIN SMS ISO IDF RJT BS4825 ASME BPE 3A DIN11864 DIN11853
- 连接方式: 螺纹、卡箍、焊接、法兰
- 驱动方式: 手动、气动
- 光洁度: Ra≤0.8 μm; MP=Ra≤0.3 μm; EP=Ra≤0.3 μm
- 认证: FDA 177.2600; 3A-18-03; Glass II USP Glass VI Chapter 88; GB4806.11; EG VO/1935-2004; PED/97/23/EC

## Technical Features

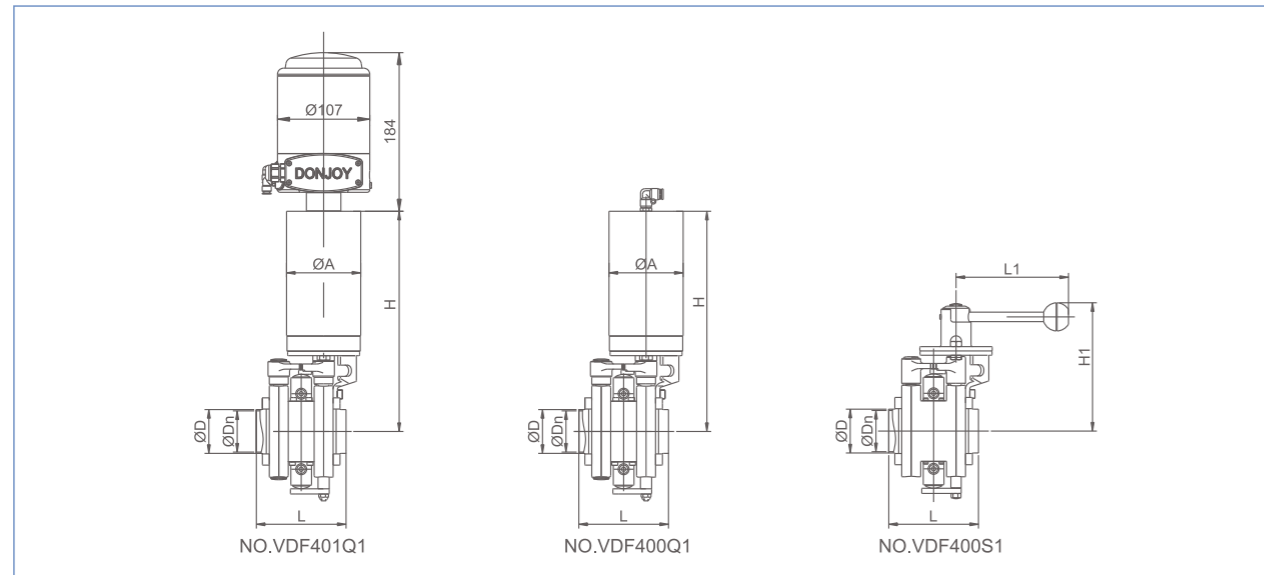
- Size: 1.5"-4", DN40-DN100
- Material: 304/1.4301, 316L/1.4404, ASME BPE 316L 1.4435 NB2 Fe≤0.5%
- Pressure: vacuum to 10bar (1.0 MPa)
- Temperature: EPDM -20 °C to +130°C, Depending on the seal material
- Seal: EPDM SILICON FKM FFKM HNBR FVMQ NBR
- Connection standard: DIN SMS ISO IDF RJT BS4825 ASME BPE 3A DIN11864 DIN11853
- Connection method: thread clamp, welding, flange
- Drive mode: manual, pneumatic.
- Surface: Ra≤0.8 μm; MP=Ra≤0.3 μm; EP=Ra≤0.3 μm
- Certification: FDA 177.2600; 3A-18-03; Glass II USP Glass VI Chapter 88; GB4806.11; EG VO/1935-2004; PED/97/23/EC

# 防混蝶阀 Mixproof butterfly valve

## 操作扭矩 Operating torque(N.M)

操作扭矩 Operating torque(N.M)	DN40/-1.5"	DN50/-2"	2.5"	DN65	3"	DN80/-3.5"	DN100/-4"
	10	15	20	25	30	40	55

在压力10kgr/cm<sup>2</sup>下检测 Test under pressure of 10kgr/cm<sup>2</sup>

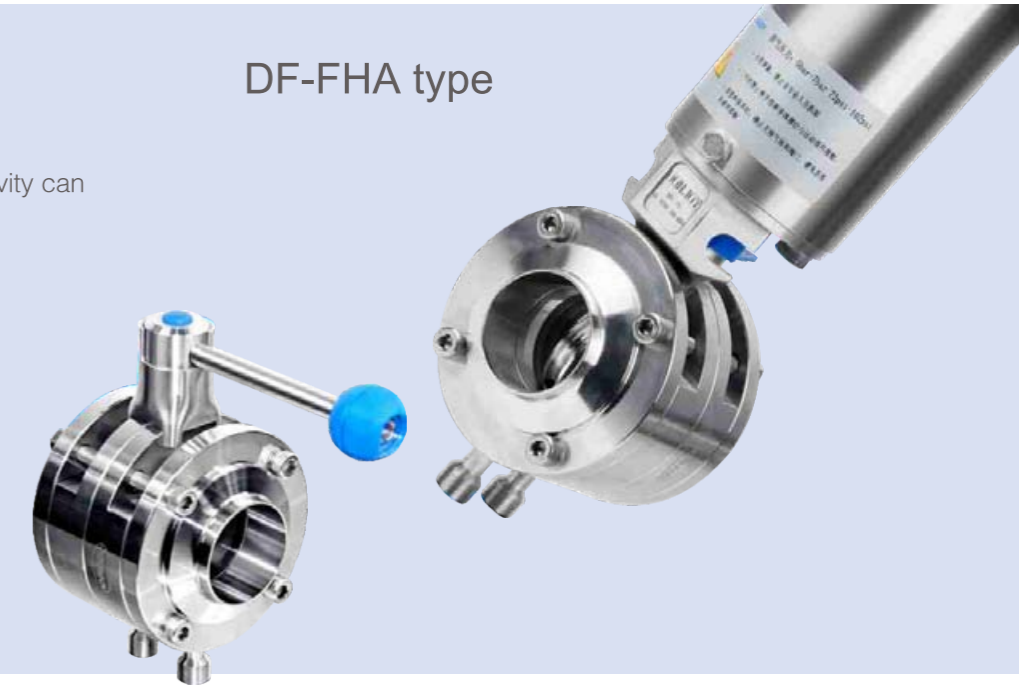
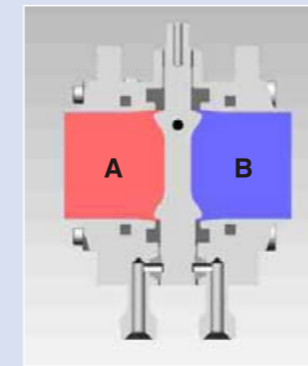


INCH							
SIZE	Dn	D	L	L1	H	H1	A
1.5"	34.8	38.1	102	133	248	141	86
2"	47.8	50.8	104	133	255.5	150	86
2.5"	59.5	63.5	126	144	326.5	168	113
3"	72.2	76.2	140	144	333.5	174.5	113
3.5"	85	89	144	160	339.5	183	113
4"	97.6	101.6	168	160	349.5	193	113

DIN							
SIZE	Dn	D	L	L1	H	H1	A
DN40	37	40	102	133	248	141	86
DN50	49	52	104	133	255.5	150	86
DN65	66	70	126	144	331.5	172.5	113
DN80	81	85	144	160	339.5	183	113
DN100	100	104	168	160	349.5	193	113

双座密封保护、内泄露可观察、  
阀腔可清洗、零污染风险

Double seat seal protection, Internal leakage can be observed, Valve cavity can be cleaned, Zero pollution risk



DF-FHA type

## 产品概述

DF-FHA系列防混双座蝶阀是一款广泛应用于食品、制药、饮料、啤酒、白酒、水处理、化妆品、新能源、日化洗涤等各种行业流体过程应用。该防混蝶阀提供了简易及安全的物料分离方式以便在密封圈损坏的情况下也能防止物料的意外混合。它最常用于隔离那些需要安全分离的物料以及单组CIP清洗(不是阀阵组件), 或者在阀阵组件终端(例如CIP回程)或者CIP溶液输入到罐内(通过清洗球)。

## 技术特点

- 规格: 2"-4", DN50-DN100
- 材质: 304/1.4301, 316L/1.4404, ASME BPE 316L 1.4435 NB2 Fe≤0.5%
- 压力: 真空~10bar(1.0 MPa)
- 温度: EPDM -20°C到+130°C, 取决密封于材质
- 密封: EPDM SILICON FKM FFKM HNBR FVMQ NBR
- 连接标准: DIN SMS ISO IDF RJT BS4825 ASME BPE 3A DIN11864 DIN11853
- 连接方式: 螺纹、卡箍、焊接、法兰
- 驱动方式: 手动、气动
- 光洁度: Ra≤0.8 μm; MP=Ra≤0.3 μm; EP=Ra≤0.3 μm
- 认证: FDA 177.2600; 3A-18-03; Glass II USP Glass VI Chapter 88; GB4806.11; EG VO/1935-2004; PED/97/23/EC

## Product description

DF-FHA series mixproof double seat butterfly valve is widely used in various industrial fluid process applications such as food, pharmaceutical, beverage, beer, liquor, water treatment, cosmetics, new energy, daily washing and so on. The mixproof butterfly valve provides an easy and safe means of material separation to prevent accidental mixing of materials in the event of damage to the seal. It is most commonly used to isolate materials that require safe separation and a single set of CIP cleaning (not a valve array assembly), or into the tank assembly terminal (eg, CIP return) or CIP solution into the tank (by cleaning the ball).

## Technical Features

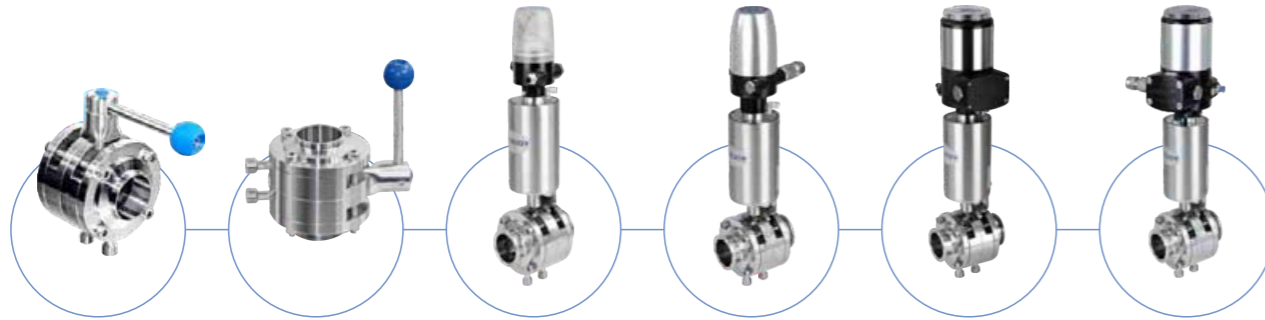
- Size: 2"-4", DN50-DN100
- Material: 304/1.4301, 316L/1.4404, ASME BPE 316L 1.4435 NB2 Fe≤0.5%
- Pressure: vacuum to 10bar (1.0 MPa)
- Temperature: EPDM -20°C to +130°C, Depending on the seal material
- Seal: EPDM SILICON FKM FFKM HNBR FVMQ NBR
- Connection standard: DIN SMS ISO IDF RJT BS4825 ASME BPE 3A DIN11864 DIN11853
- Connection method: thread clamp, welding, flange
- Drive mode: manual, pneumatic
- Surface: Ra≤0.8 μm; MP=Ra≤0.3 μm; EP=Ra≤0.3 μm
- Certification: FDA 177.2600; 3A-18-03; Glass II USP Glass VI Chapter 88; GB4806.11; EG VO/1935-2004; PED/97/23/EC

# 防混蝶阀 Mixproof butterfly valve

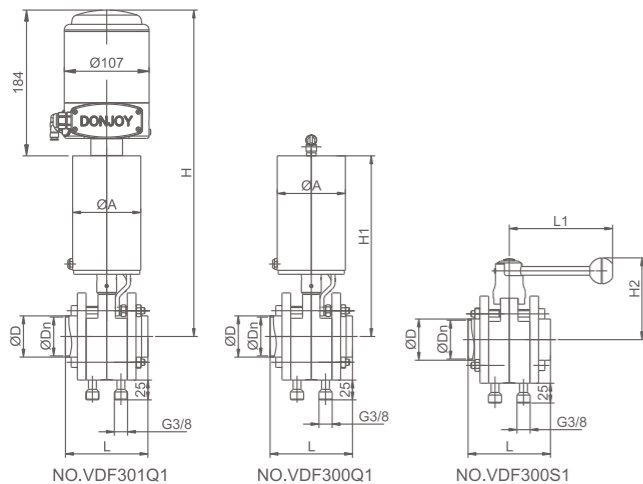
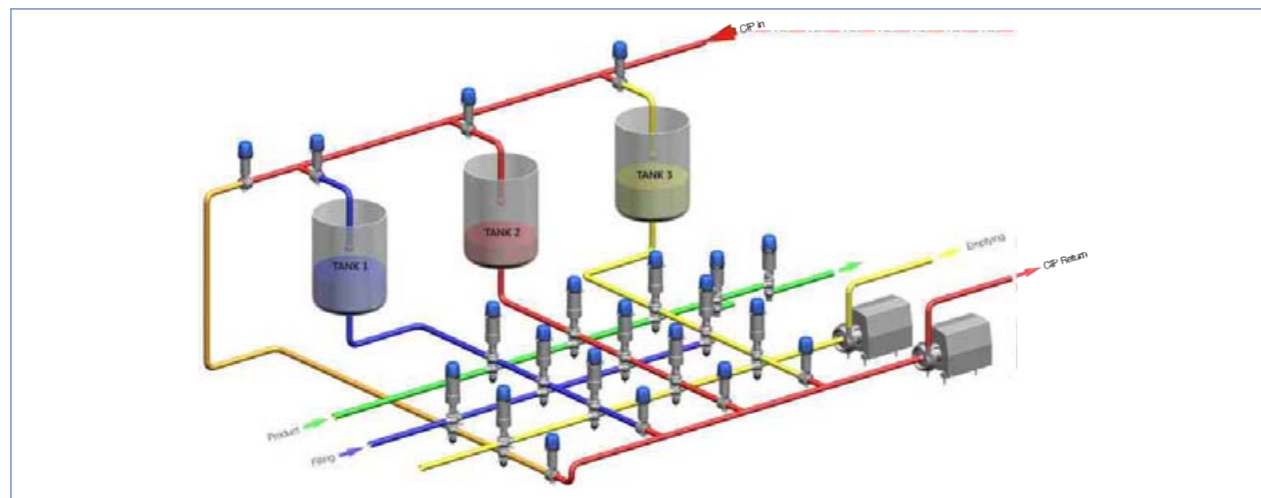
## 操作扭矩 Operating torque(N.M)

操作扭矩 Operating torque(N.M)	DN50/-2"	2.5"	DN65	3"	DN80	DN100/-4"
	15	20	25	30	40	55

在压力10kgr/cm<sup>2</sup>下检测 Test under pressure of 10kgrs cm<sup>2</sup>



## 典型应用 Typical application



## INCH

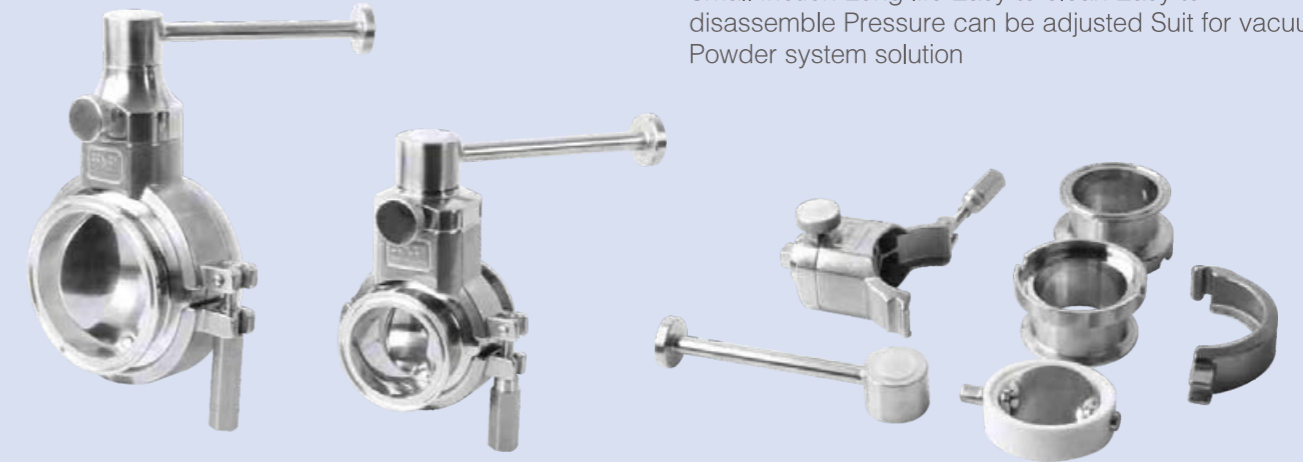
SIZE	Dn	D	L	L1	H	H1	H2	A
2"	47.8	50.8	104	133	423	239	102	86
2.5"	59.5	63.5	112	144	489	305	106.5	113
3"	72.2	76.2	116	144	497	313	113	113
4"	97.6	101.6	128	160	512	328	131	113

## DIN

SIZE	Dn	D	L	L1	H	H1	H2	A
DN50	49	52	104	133	423	239	102	86
DN65	66	70	112	144	494	310	111.5	113
DN80	81	85	120	144	502	318	120.5	113
DN100	100	104	128	144	512	328	131	113

# 粉体蝶阀 Powder butterfly valve

## DF-F type



超小摩擦力, 超长寿命, 极易清洗, 极易拆卸,  
压力可调, 适用真空 —— 粉体系统的解决方案  
Small friction Long life Easy to clean Easy to  
disassemble Pressure can be adjusted Suit for vacuum  
Powder system solution

## 粉固体蝶阀

DJ-DF-F蝶阀主要设计应用于粉体、颗粒、胶囊等各种容器设备上, 该蝶阀具有标准蝶阀所不具备的特点, 如超小扭矩, 密封启闭不产生过量摩擦, 超长寿命、无密封粉末脱落、超短阀体、承受压力可调。该阀门无需专业工具拆卸、维护、清洗, 安全、可靠, 且成本低、操作简单, 也可以手动、气动、电动配置互换。

## 技术特点

- 规格 SIZE: 2.5"-12", DN65-DN300
- 材质 Material: 316L/1.4404, ASME BPE 316L 1.4435 NB2 Fe≤0.5%
- 温度: EPDM -20°C 到 +130°C, 取决密封于材质
- 密封: EPDM SILICON FKM FFKM HNBR FVMQ NBR
- 连接标准: DIN SMS ISO IDF RJT BS4825 ASME BPE 3A DIN11864 DIN11853
- 连接方式: 卡箍、焊接、法兰、罐底法兰
- 驱动方式: 手动、气动、电动
- 光洁度: Ra≤0.8 μm; MP=Ra≤0.3 μm; EP=Ra≤0.3 μm
- 认证: FDA 177.2600; 3A-18-03; Glass II USP Glass VI Chapter 88; GB4806.11; EG VO/1935-2004; PED/97/23/EC

## Powder solid butterfly valve

DJ-DF-F butterfly valve is mainly designed and used for all kinds of container equipments of powder, granule, capsule.etc. This butterfly valve have characteristics, which the normal butterfly don't have, such as small torque, no much friction when seal open and close, long life, no seal powder fall off, short valve body, bear pressure can be adjusted. This valve can be disassembled, maintained and cleaned without professional tool. It is safe, reliable and lower cost. Easy operation, manual, pneumatic and motor-driven configuration valve can be interchanged.

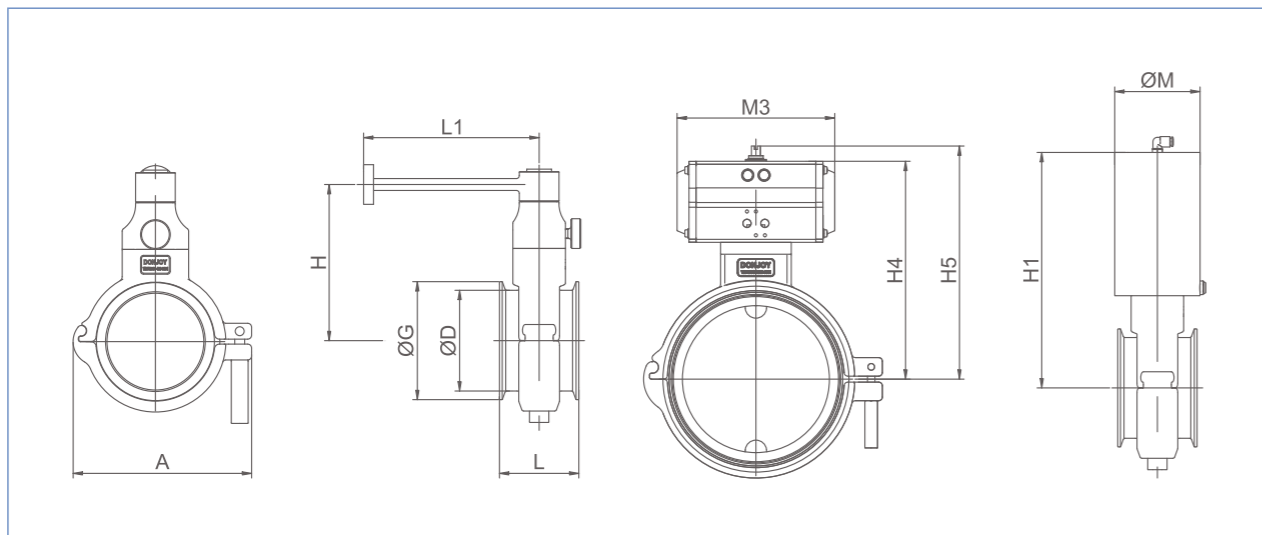
## Technical Features

- Size: 2.5"-12", DN65-DN300
- Material Material: 316L/1.4404, ASME BPE 316L 1.4435 NB2 Fe≤0.5%
- Temperature: EPDM -20°C to +130°C, Depending on the seal material
- Seal: EPDM SILICON FKM FFKM HNBR FVMQ NBR
- Connection standard: DIN SMS ISO IDF RJT BS4825 ASME BPE 3A DIN11864 DIN11853
- Connection method: clamp, welding, flange, tank bottom flange
- Drive mode: manual, pneumatic, electric
- Surface: Ra≤0.8 μm; MP=Ra≤0.3 μm; EP=Ra≤0.3 μm
- Certification: FDA 177.2600; 3A-18-03; Glass II USP Glass VI Chapter 88; GB4806.11; EG VO/1935-2004; PED/97/23/EC

## 粉体蝶阀 Powder butterfly valve

### 操作扭矩 Operating torque(N.M)

操作扭矩 Operating torque(N.M)	2.5"	DN65/3"	DN80	DN100/4"	DN125/5"	DN150/6"	DN200/8"	DN250/10"	DN300/12"
	10	14	20	25	35	45	55	65	65



规格 Size	G	L		A	手动 Manual		卧式气动 Horizontal pneumatic		立式气动 Vertical pneumatic	
		焊接式Welding	卡箍式Clamp		L1	H	H5	M3	M	H1
2.5"	77.5	70	95.4	122	160	112	181	190	86	218
3"	91	70	95.4	122	160	118	187	190	86	223.5
4"/DN100	119	80	80	180	160	158	214	205	86	238
5"/DN125	145	90	90	216	200	194	248	212	113	317
6"/DN150	167	90	90	240	200	207	276	212	113	330
8"/DN200	217	120	120	321	260	243	313	212	138	403
10"/DN250	268	120	120	378	260	268	350	259	138	429

## 通用蝶阀 Regular butterfly valve

### DF-TY type

东正生产蝶阀至今已有27多年，为各行业制造超过300万只，非常灵活阀体组合，超长寿命，超小扭矩，锻造阀体，锻造阀板，全自动机器人生产线。

Donjoy has been producing butterfly valves for more than 27 years. Manufacturing more than 3 million units for various industries, Very flexible valve body combination, super long life, super small torque, Forged valve body, forged valve disc, Fully automatic robot production line.



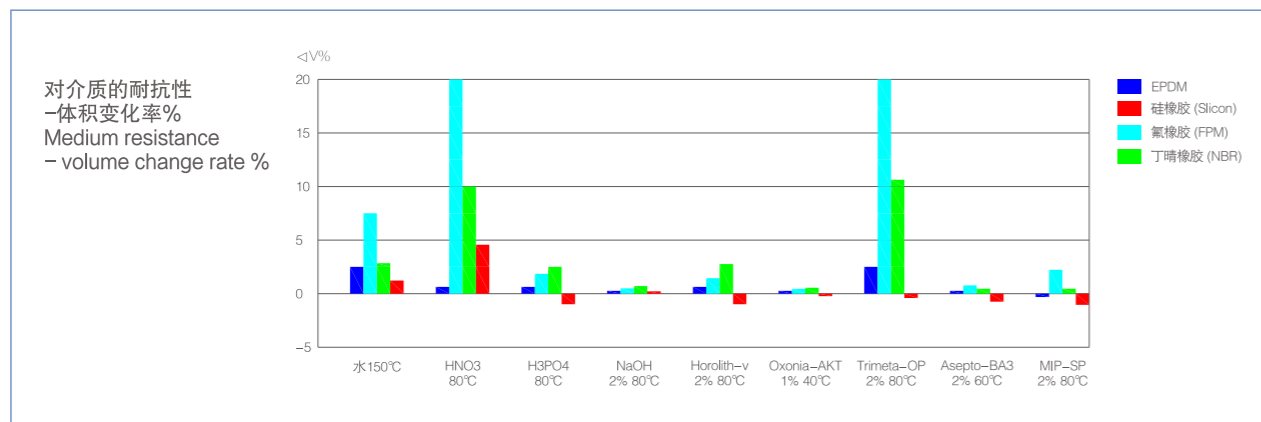
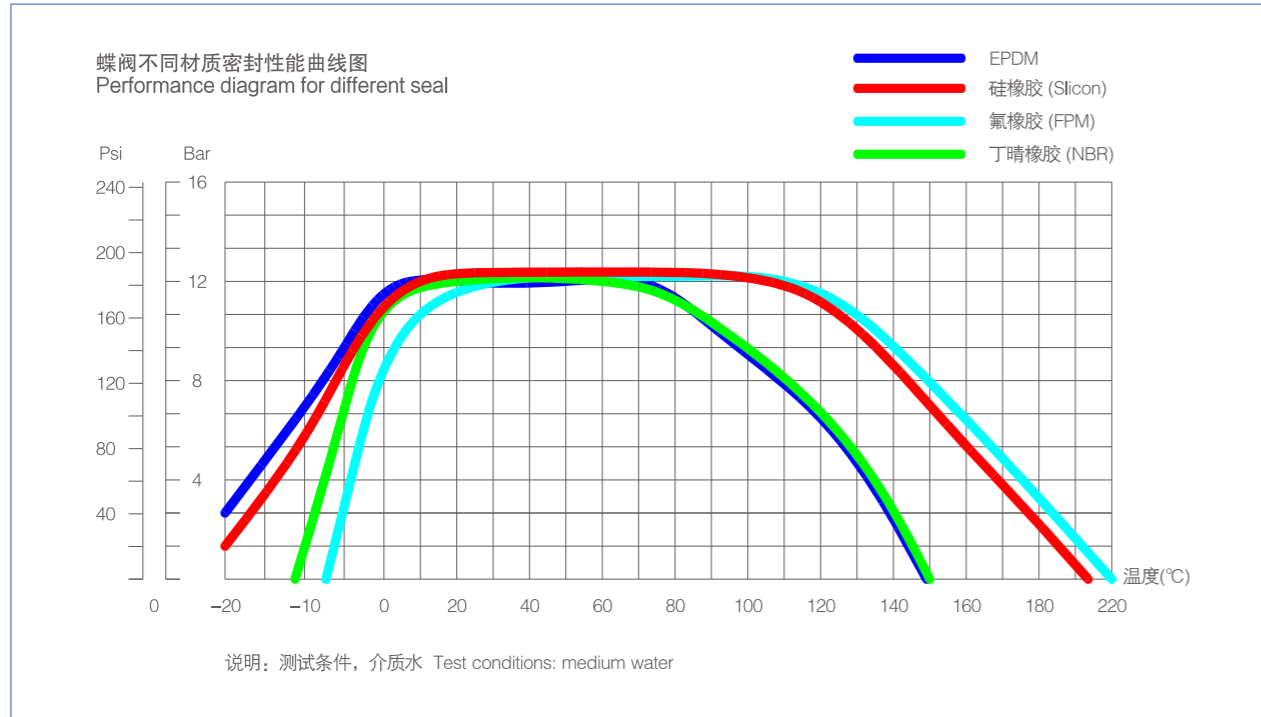
### 技术特点

- 规格: 1/2"-12", DN10-DN300
- 材质: 304/1.4301, 316L/1.4404, ASME BPE 316L 1.4435 NB2 Fe≤0.5%
- 压力: 真空 ~10bar(1.0 MPa)
- 温度: EPDM -20°C 到 +130°C, 取决密封于材质
- 密封: EPDM SILICON FKM FFKM HNBR FVMQ NBR
- 连接标准: DIN SMS ISO IDF RJT BS4825 ASME BPE 3A DIN11864 DIN11853
- 连接方式: 螺纹、卡箍、焊接、法兰
- 驱动方式: 手动、涡轮、气动、电动
- 光洁度: Ra≤0.8 μm; MP=Ra≤0.3 μm; EP=Ra≤0.3 μm
- 认证: FDA 177.2600; 3A-18-03; Glass II USP Glass VI Chapter 88; GB4806.11; EG VO/1935-2004; PED/97/23/EC;

### Technical Features

- Size: 1/2"-12", DN10-DN300
- Material: 304/1.4301, 316L/1.4404, ASME BPE 316L 1.4435 NB2 Fe≤0.5%
- Pressure: vacuum to 10bar (1.0 MPa)
- Temperature: EPDM -20°C to +130°C, Depending on the seal material
- Seal: EPDM SILICON FKM FFKM HNBR FVMQ NBR
- Connection standard: DIN SMS ISO IDF RJT BS4825 ASME BPE 3A DIN11864 DIN11853
- Connection method: thread, clamp, welding, flange
- Drive mode: manual, turbo, pneumatic, electric
- Surface: Ra≤0.8 μm; MP=Ra≤0.3 μm; EP=Ra≤0.3 μm
- Certification: FDA 177.2600; 3A-18-03; Glass II USP Glass VI Chapter 88; GB4806.11; EG VO/1935-2004; PED/97/23/EC;

# 通用蝶阀 Regular butterfly valve

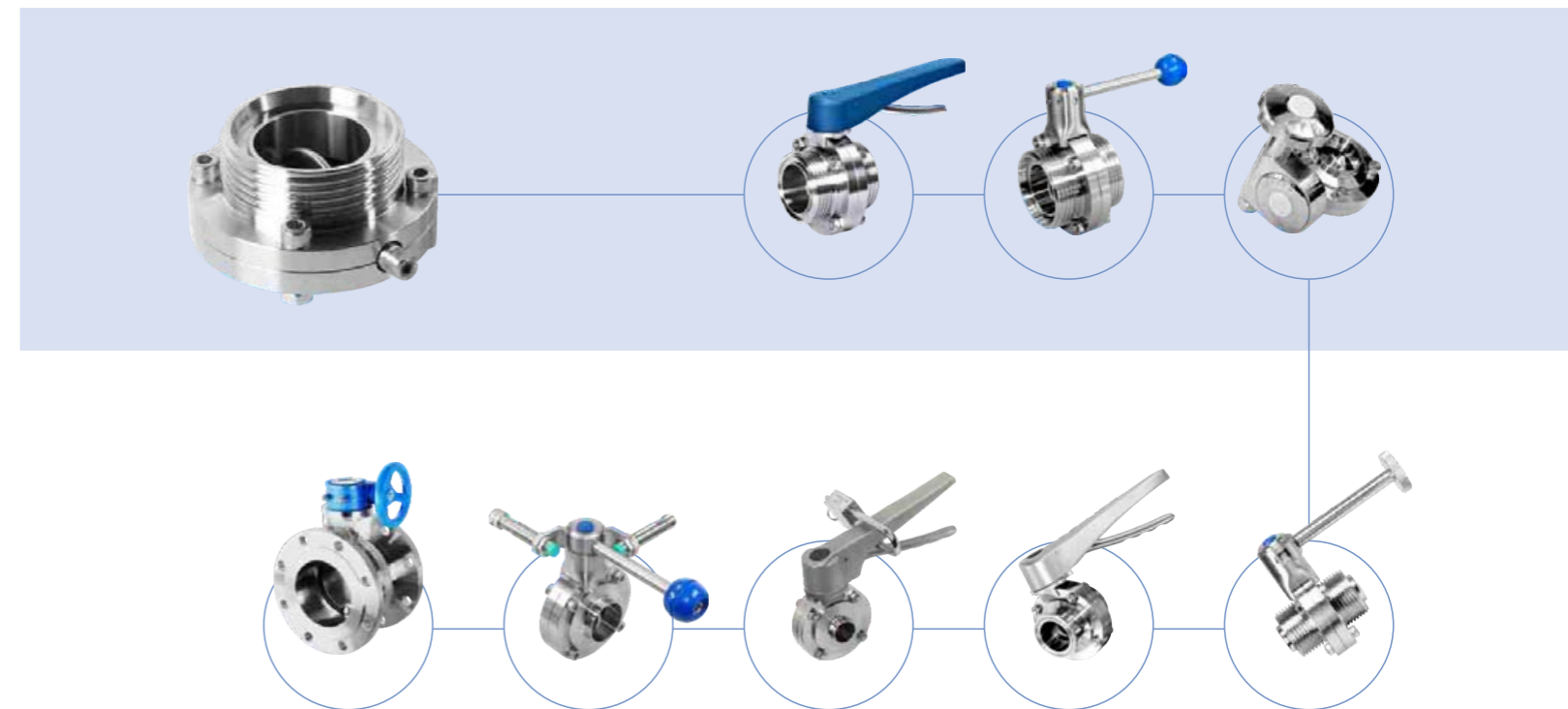


## 操作扭矩 Operating torque(N.M)

操作扭矩 Operating torque(N.M)	25-1"	40-1 1/2"	50-2"	2 1/2"	65
操作扭矩 Operating torque(N.M)	3	4	5	10	12
操作扭矩 Operating torque(N.M)	3"	80	100-4"	150	125
操作扭矩 Operating torque(N.M)	14	18	25	55	40

在压力10kg/cm<sup>2</sup>下检测 Test under pressure of 10kg/cm<sup>2</sup>

## 手动蝶阀-各种配置 Manual butterfly valve - various configurations



## 功能配置

- M: 光杆蝶阀
- M1: 多位手柄蝶阀
- M2: 多阀位塑料手柄蝶阀
- M3: 拉杆手柄蝶阀
- M4: 涡轮微调手轮蝶阀
- M5: 多阀位不锈钢手柄蝶阀+锁
- M6: 涡轮驱动蝶阀
- M7: 不锈钢拉杆蝶阀+位置传感器
- M8: 多阀位不锈钢手柄蝶阀

## Functional configuration

- M: Butterfly valve without handle
- M1: Multi-position handle butterfly valve
- M2: Multi-position plastic handle butterfly valve
- M3: Pull handle butterfly valve
- M4: Fine-tuning handwheel butterfly valve
- M5: Multi-position stainless steel handle butterfly valve+lock
- M6: Turbine drive butterfly valve
- M7: Stainless steel pull handle butterfly valve + position sensor
- M8: Multi-position stainless steel handle butterfly valve

# 通用蝶阀 Regular butterfly valve

## 气动蝶阀-各种配置 Pneumatic butterfly valve - various configurations



# 球阀 Ball valve



东正生产球阀至今已有20多年，  
为各行业制造超过300万只  
非常灵活阀体组合，超长寿命，超小扭矩  
锻造阀体，球芯  
全自动机器人生产线

Donjoy has been producing ball valves for more than 20 years and has produced more than 3 million for various industries  
Very flexible valve body combination, super long life, super small torque  
Forged valve body, Ball core  
Automatic robot production line



### 产品概述

东正系列球阀严格按照美国3-A-68-00高洁净要求设计，具有扭矩小，长寿命、全脱脂、密封弹性补偿、体积小、内部无滞留、外观接近于无死角、非常灵活功能组合、无需专业工具即可维护、经济、简单、可靠的系列卫生球阀。经过20多年及超过300万只制造和应用经验并综合了当前最新的技术和材料应用，基于丰富的现场安装和产品应用经验创新设计而成。可应用于各种食品、制药、饮料、啤酒、白酒、水处理、化妆品、新能源、日化洗涤同时可等经过球清理等。

### Product description

Donjoy series ball valves are designed in strict accordance with the high cleanliness requirements of the United States 3-A-68-00, with small torque, long life, full degreasing, sealing elastic compensation, small size, no internal retention, appearance close to no dead ends, and very flexible functional combination, It is economical, simple and reliable series sanitary ball valve that can be maintained without professional tools. After more than 20 years and more than 3 million pieces of manufacturing and application experience, combined with the latest technology and material applications, it is innovatively designed based on rich on-site installation and product application experience. It can be applied to all kinds of food, pharmaceuticals, beverages, beer, liquor, water treatment, cosmetics, new energy, daily chemical washing, etc. at the same time.

# 球阀 Ball valve

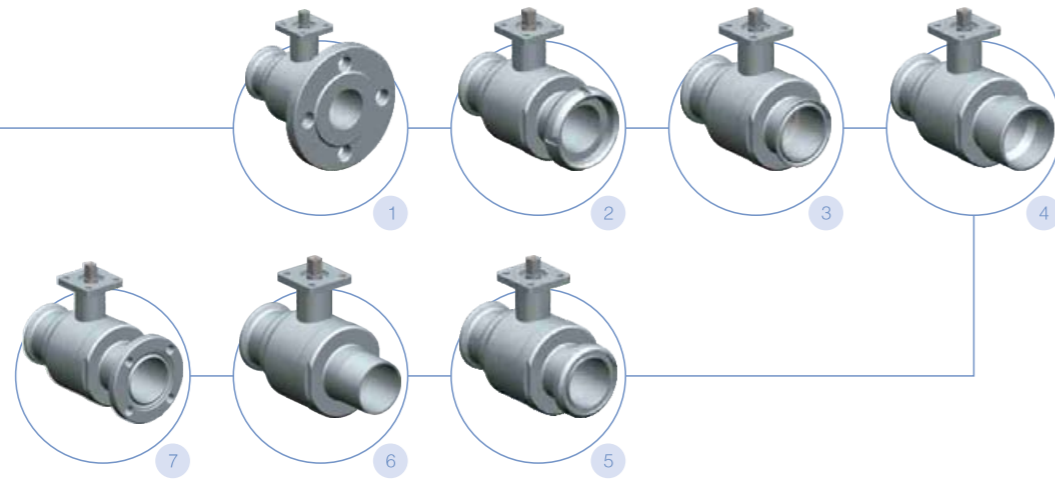
## 技术特点

- 规格: 1/2"-4", DN10-DN100
- 材质: 304/1.4301, 316L/1.4404, ASME BPE 316L 1.4435 NB2 Fe≤0.5%
- 压力: 真空~10bar(1.0 MPa)
- 温度: PTFE -20°C 到+130°C, 取决密封于材质
- 密封: TFM; PTFE; PTFE+Carbon; PEEK
- 连接标准: DIN SMS ISO IDF RJT BS4825 ASME BPE 3A DIN11864 DIN11853
- 连接方式: 螺纹、卡箍、焊接、法兰
- 驱动方式: 手动、涡轮、气动、电动
- 表面光洁度: Ra≤0.8 μm; MP=Ra≤0.3 μm; EP=Ra≤0.3 μm
- 认证: FDA 177.2600; 3A-68-00; Glass II USP Glass VI Chapter 88; GB4806.11; EG VO/1935-2004; PED/97/23/EC。

## Technical Features

- Specifications: 1/2"-4", DN10-DN100
- Material: 304/1.4301, 316L/1.4404, ASME BPE 316L 1.4435 NB2 Fe≤0.5%
- Pressure: Vacuum to 10bar (1.0 MPa)
- Temperature: PTFE -20°C to +130°C, Depending on the seal material
- Sealing: TFM; PTFE; PTFE+Carbon; PEEK
- Connection standard: DIN SMS ISO IDF RJT BS4825 ASME BPE 3A DIN11864 DIN11853
- Connection method: Thread, clamp, welding, flange
- Drive mode: manual, turbo, pneumatic, electric
- Surface finish: Ra≤0.8 μm; MP=Ra≤0.3 μm; EP=Ra≤0.3 μm
- Certification: FDA 177.2600; 3A-68-00; Glass II USP Glass VI Chapter 88; GB4806.11; EG VO/1935-2004; PED/97/23/EC。

## 各种连接方式 Various connection type



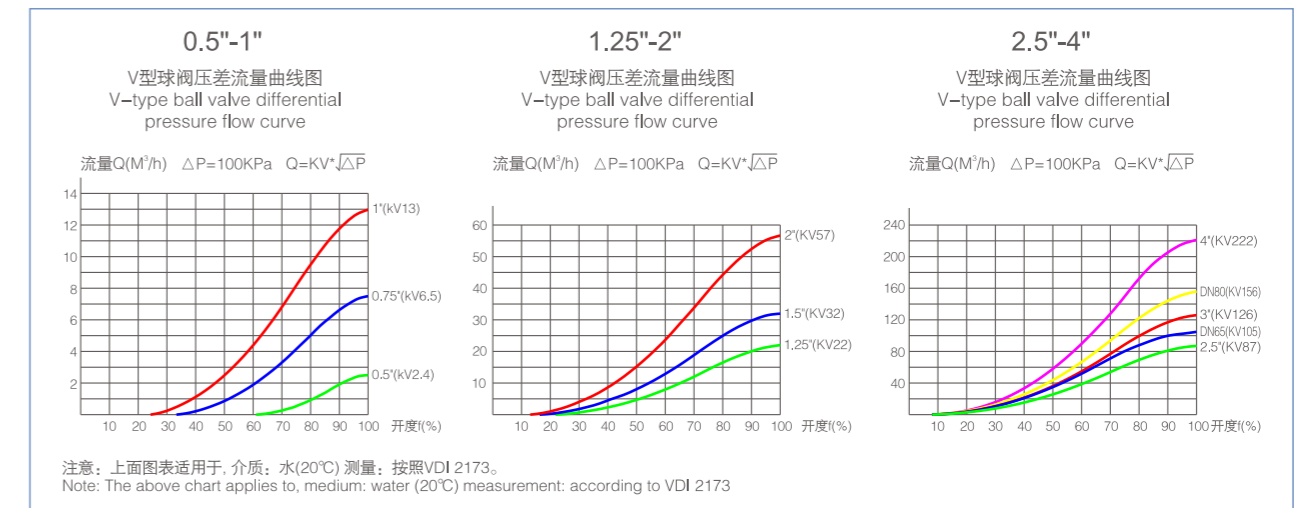
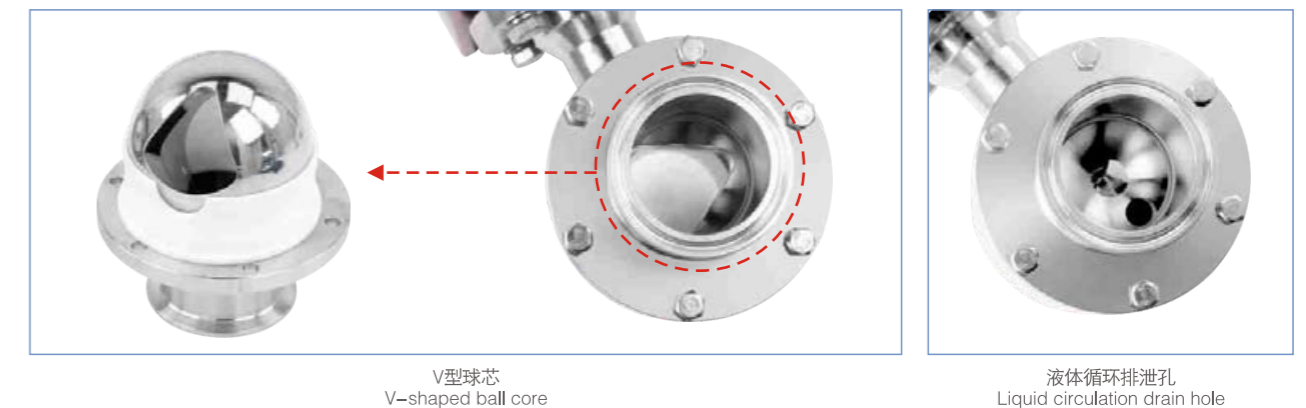
- |                                      |  |
|--------------------------------------|--|
| 1. 法兰接口                              | 1. Flange interface                            |
| 2. 螺母接口 DIN SMS IDF RJT ISO          | 2. Nut interface DIN SMS IDF RJT ISO           |
| 3. 卡箍接头 ASME BPE 3A DIN ISO          | 3. Clamp joint ASME BPE 3A DIN ISO             |
| 4. 内螺纹 DIN BSP BSPT NPT              | 4. Female thread DIN BSP BSPT NPT              |
| 5. 外螺纹 DIN SMS IDF RJT ISO           | 5. Male thread DIN SMS IDF RJT ISO             |
| 6. 对焊 DIN ASME BPE BS4825 ISO        | 6. Butt welding DIN ASME BPE BS4825 ISO        |
| 7. 无菌法兰 DIN 11864 DIN 11853 ASME BPE | 7. Aseptic flange DIN 11864 DIN 11853 ASME BPE |

注意: 各种连接方式适用于, 所有的不同系列的球阀, 如直通、三通、迷你型、四通等。  
Note: Various connection type are applicable to all different series of ball valves, such as straight, three-way, mini, four-way, etc.

# 调节式球阀 Adjustable ball valve

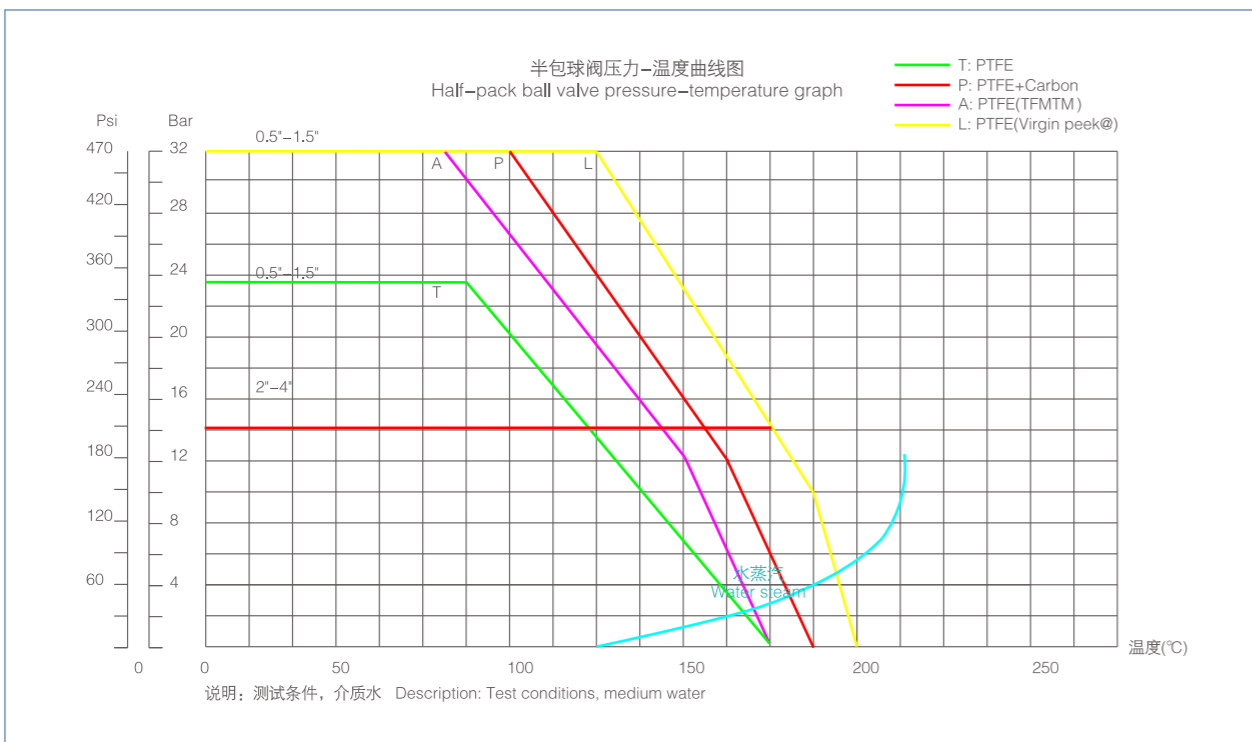
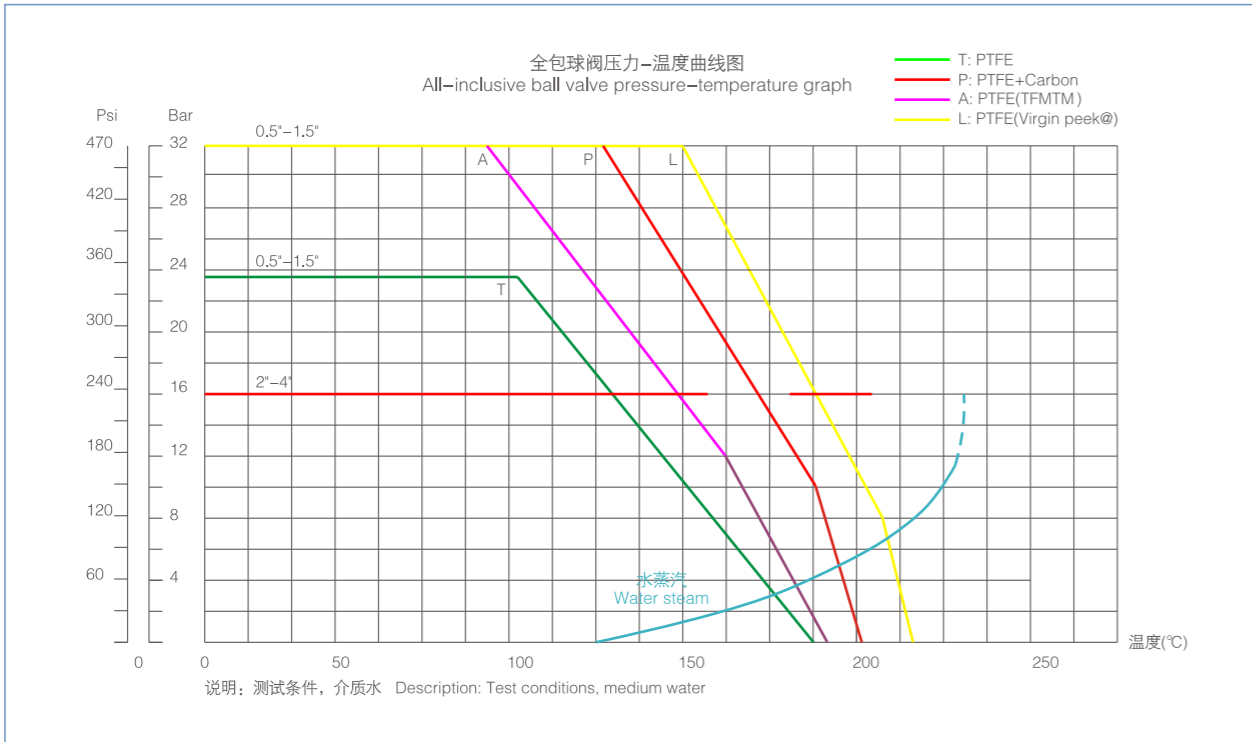


## 特殊球芯选择 Special core selection



# 球阀 Ball valve

球阀工作压力和工作温度曲线图 Curve for ball valve working pressure and work temperature



ISO5211安装尺寸和扭矩, 可能会因款式不同而会稍有不同。  
ISO5211 installation size and torque may be slightly different due to different styles.



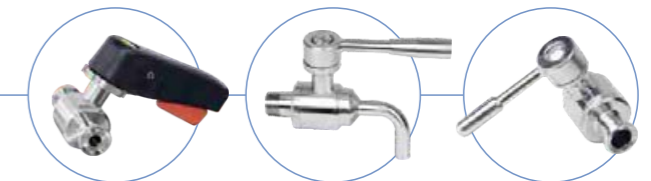
规格 Size	法兰平台 ISO5211	阀杆方心 口	扭矩 N.M	
			直通 2-way	三通/四通 3-way/4-way
1/2"	DN10	8*8	6	7
3/4"	DN15			
1"	DN25	11*11	10	12
1.1/4"	DN32			
1.5"	DN40	14*14	15	20
2"	DN50			
2.5"	-	14*14	45	55
-	DN65			
3"	-	14*14	65	75
3.5"	DN80			
4"	DN100	F10/F12	110	125

## QF-MINI Series

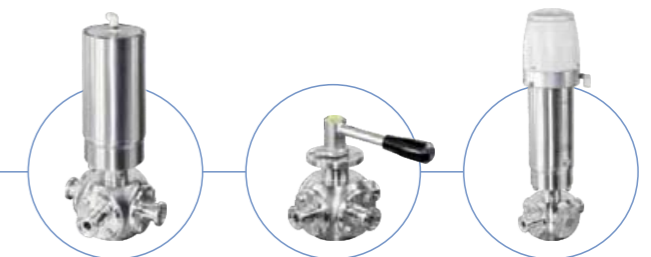
仅有2N.M扭矩, 使用寿命长、全脱脂、密封弹性补偿、极小体积、内部无滞留、外观接近于无死角、非常灵活功能组合、无需专业工具即可维护、经济、简单、可靠。

Only 2N.M torque, long service life, full degreasing, sealing elastic compensation, very small size, no internal retention, appearance close to no dead ends, very flexible function combination, maintenance without professional tools, economical, simple and reliable.

迷你直通球阀  
Mini 2-way ball valve



迷你三通球阀  
Mini three-way ball valve



# 球阀 Ball valve

## QF-2T Series

### 中头螺纹直通球阀 Middle threaded 2-way

小扭矩，使用寿命长、全脱脂、密封弹性补偿、体积小、内部有微量滞留、外观接近于无死角、非常灵活功能组合、无需专业工具即可维护、经济、简单、可靠。

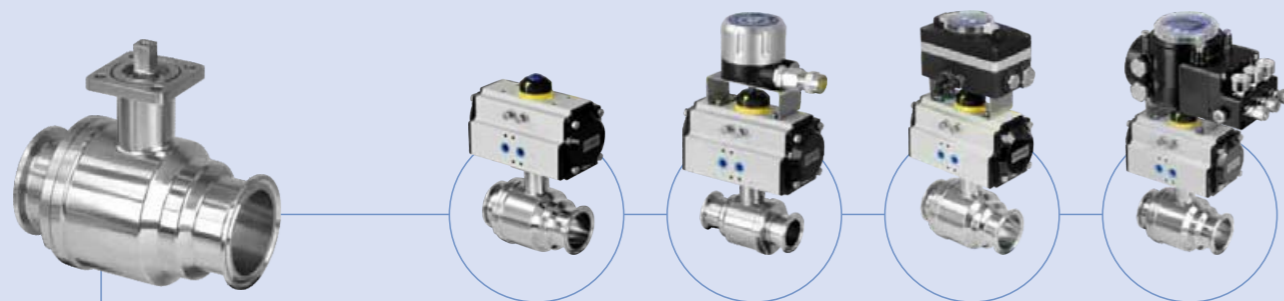
Small torque, long service life, full degreasing, sealing elastic compensation, small size, trace retention inside, appearance close to no dead ends, very flexible function combination, maintenance without professional tools, economical, simple and reliable.

## QFK-2T Series

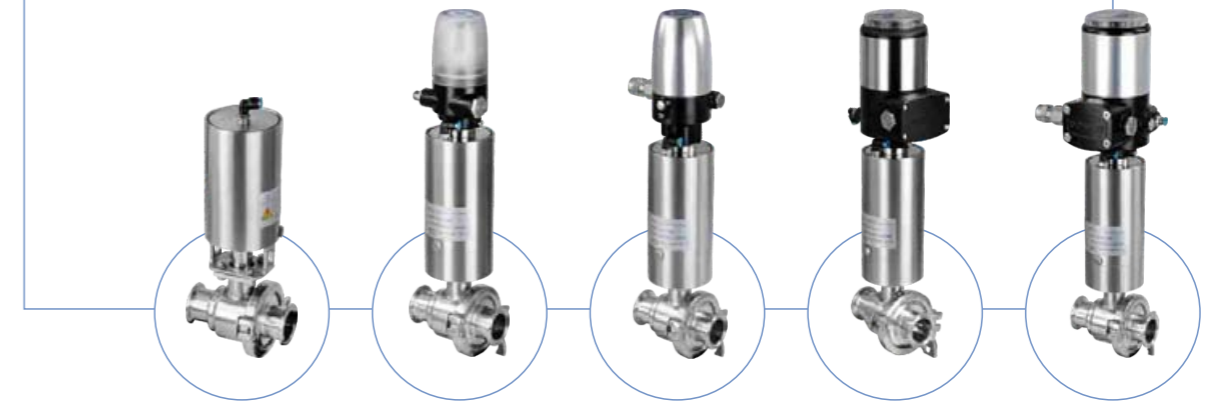
### 中头卡箍无滞留球阀 Middle clamp non-retention ball valve

小扭矩，使用寿命长、全脱脂、密封弹性补偿、体积小、内部无滞留、外观少量有死角、非常灵活功能组合、无需专业工具即可维护、经济、简单、可靠。

Small torque, long service life, full degreasing, sealing elastic compensation, small size, no internal retention, a few dead spots in appearance, very flexible function combination, maintenance without professional tools, economical, simple and reliable.



球阀可适配于卧式、立式、电动等各种执行器。  
也可适配各种阀门控制器，如定位器、控制单元、位置反馈器等。  
The ball valve can be adapted to various actuators such as horizontal, vertical and electric.  
It can also be adapted to various valve controllers, such as positioner, Control Unit, position feedback device, etc.



# 球阀 Ball valve

## QF-3P Series

### 三片式球阀 Three-piece ball valve

小扭矩，使用寿命长、全脱脂、密封弹性补偿、体积小、内部无滞留、外观有死角、非常灵活功能组合、无需专业工具即可维护、经济、简单、可靠。

Small torque, long service life, full degreasing, sealing elastic compensation, small size, no internal retention, dead angle in appearance, very flexible function combination, maintenance without professional tools, economical, simple and reliable.

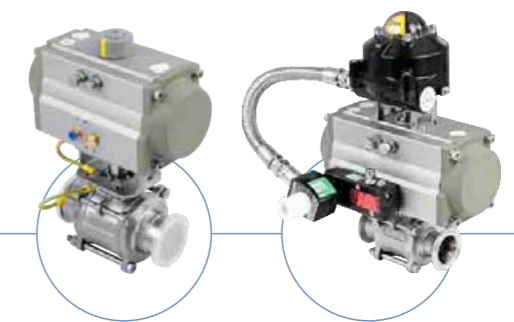


## QF-3P Series

### 三片式球阀 Three-piece ball valve

小扭矩，使用寿命长、全脱脂、密封弹性补偿、体积小、内部无滞留、外观有死角、非常灵活功能组合、无需专业工具即可维护、经济、简单、可靠。

Small torque, long service life, full degreasing, sealing elastic compensation, small size, no internal retention, dead angle in appearance, very flexible function combination, maintenance without professional tools, economical, simple and reliable.



不锈钢卧式气动  
Stainless steel horizontal pneumatic

电动球阀  
Electric ball valve



位置传感器  
Position sensor

F-TOP-2253

F-TOP-22A53

IL-TOP-21A31

C-TOP-2221



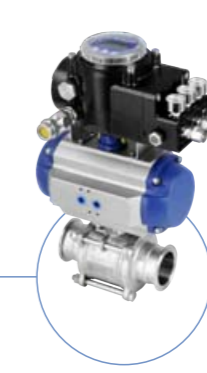
卧式气动  
Horizontal pneumatic



F-TOP+电磁阀  
F-TOP + solenoid valve



C-TOP-22A62



IL-TOP-22A41/42



IL-TOP-1891

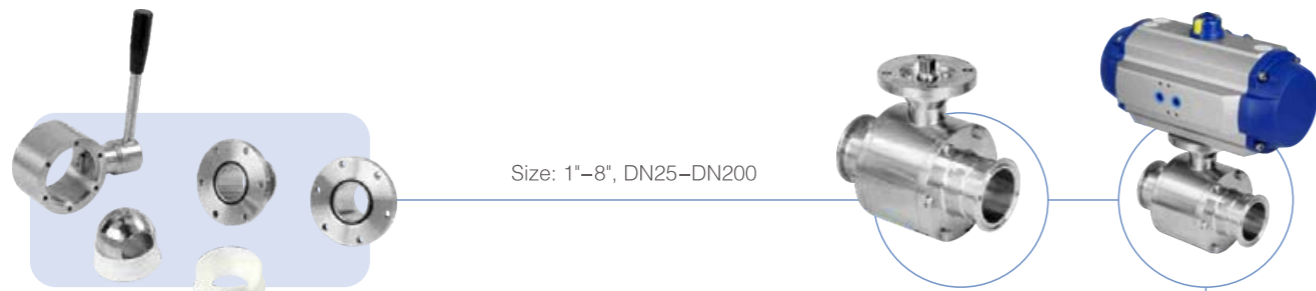
# 球阀 Ball valve

## QFWW-2T Series

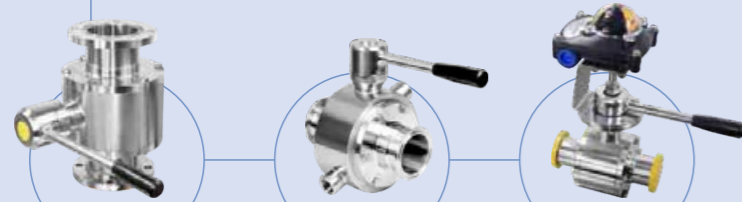
**内外无滞留球阀**  
Inside & outside non-retention ball valve

小扭矩，使用寿命长、全脱脂、密封弹性补偿、体积小、内部无滞留、外观无死角、非常灵活功能组合、无需专业工具即可维护、经济、简单、可靠。

Small torque, long service life, full degreasing, sealing elastic compensation, small size, no internal retention, appearance close to no dead ends, very flexible function combination, maintenance without professional tools, economical, simple and reliable.



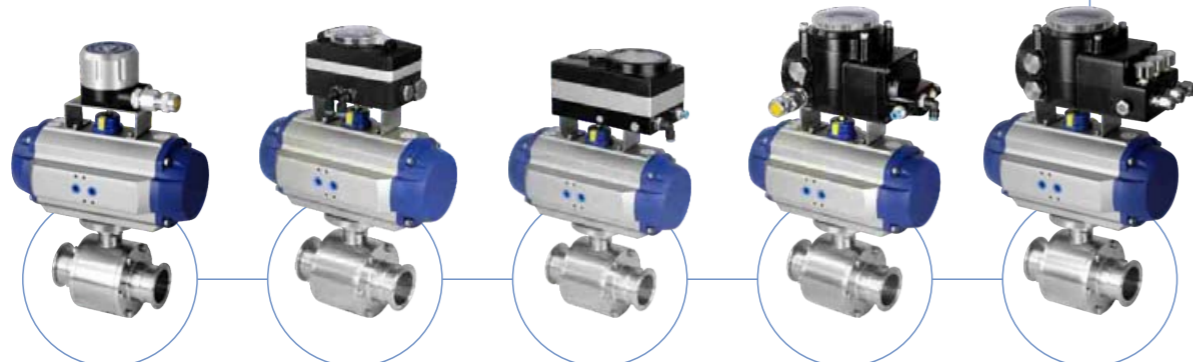
Size: 1"-8", DN25-DN200



手动球阀  
Manual ball valve

保温夹套  
Insulation jacket

手动+反馈器  
Manual + Feedback



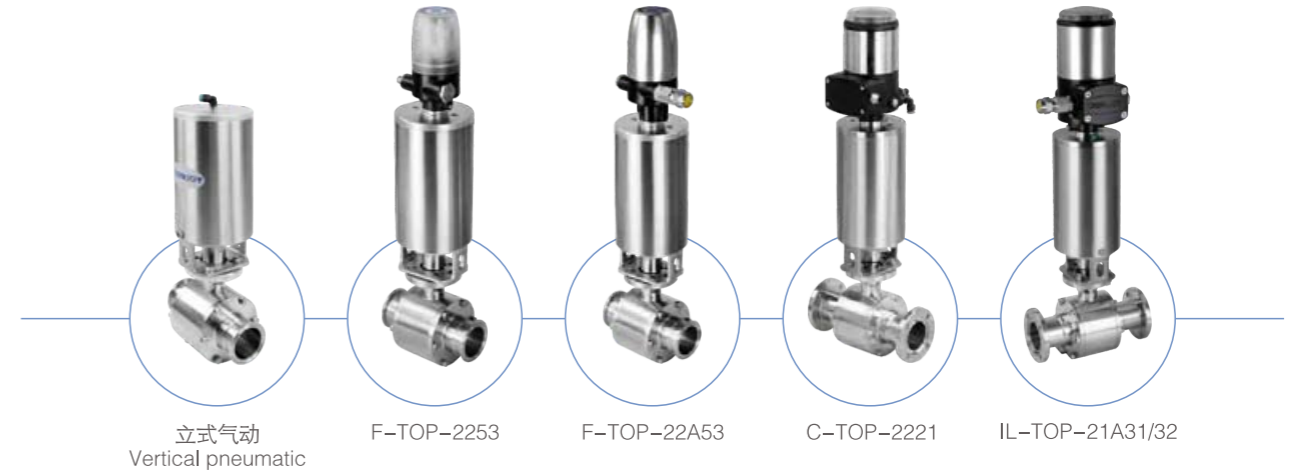
F-TOP-22A74

C-TOP-2262

IL-TOP-1441/42

C-TOP-22A62

IL-TOP-22A41/42



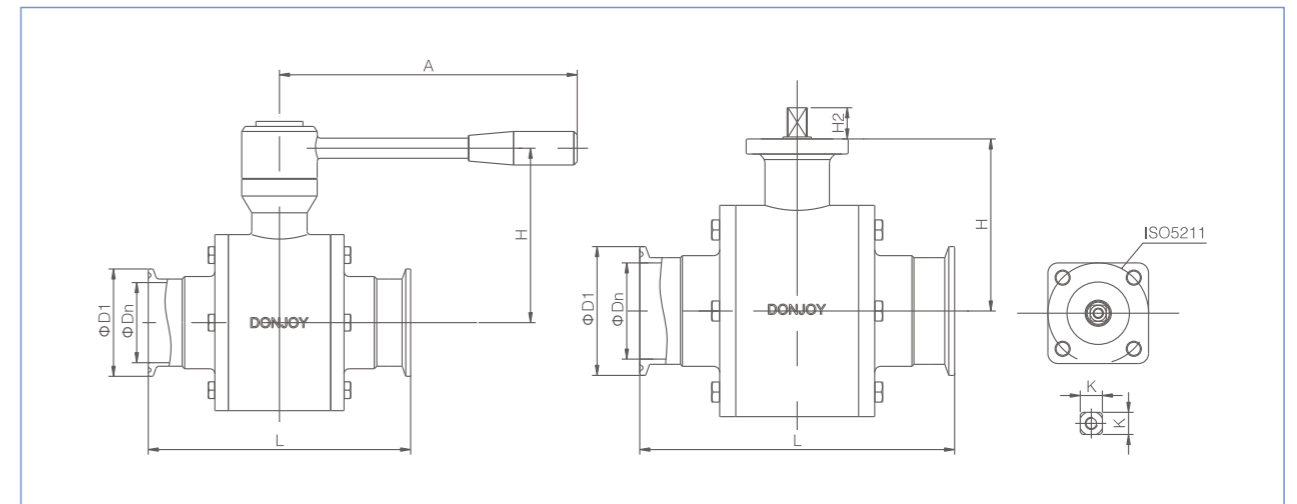
立式气动  
Vertical pneumatic

F-TOP-2253

F-TOP-22A53

C-TOP-2221

IL-TOP-21A31/32



SIZE	ΦD	ΦD1	L	H	H2	K × K	ISO5211	手动 Manual	
								H	A
0.5"	12.7	25.4	89	63	13.5	8 × 8	F04	80	90
0.75"	19	25.4	89	63	13.5	8 × 8	F04	80	90
1"	25.4	25.4	114	63	13.5	8 × 8	F04	85.5	142
1.25"	31.8	31.8	117	68.5	14.5	8 × 8	F04/F05	91	142
1.5"	38.1	38.1	142	76.5	15.5	10 × 10	F05	100	178
2"	50.8	50.8	156	85.5	16	10 × 10	F05	109	178
2.5"	63.5	63.5	197	100	20	14 × 14	F07	127	198
3"	76.2	76.2	221	109	20	14 × 14	F07	136	197
3.5"	89	89	229	117	20	14 × 14	F07	146	242
4"	101.6	101.6	241	132	20	14 × 14	F07/F10	161	242

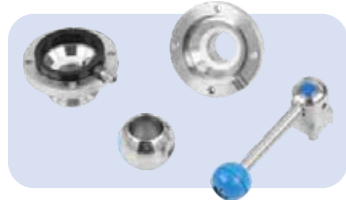
# 球阀 Ball valve

## QF-DX Series

### 蝶式球阀 Butterfly type ball valve

小扭矩，使用寿命长、全脱脂、密封弹性补偿、体积小、内部有滞留、外观有死角、非常灵活功能组合、无需专业工具即可维护、经济、简单、可靠。

Small torque, long service life, full degreasing, sealing elastic compensation, small size, internal retention, dead spots in appearance, very flexible function combination, maintenance without professional tools, economical, simple and reliable.



Size: 1"-4", DN25-DN100



蝶式球阀与标准球阀相比较具有更小体积、更少滞留、可配置CIP/SIP清洗和杀菌接口。

Compared to standard ball valves, butterfly type ball valves offer smaller volume, less retention, and can be configured with CIP/SIP cleaning and sterilization interfaces.



蝶式球阀可适配于卧式、立式、电动等各种执行器。也可适配各种控制器，如控制单元、定位器、反馈器等。  
Butterfly ball valve can be adapted to various actuators such as horizontal, vertical and electric. It can also be adapted to various controllers, such as control units, positioners, feedback, etc.



## QF-3T-23 Series

### 三通球阀 Three way ball valve

2023款三通球阀是我们精心设计的一款产品，它具有更小的滞留、更小体积、更高承压、更加明确开启位置指示、更小的扭矩、更加美观等技术特点。

2023 3-way ball valves are well-designed, which has technical characteristics such as smaller retention, smaller volume, higher pressure, clearer opening position indication, less torque, and more aesthetics.



#### 技术特点 Technical Features

规格: 1"-4", DN25-DN100

材质: SS304, SS316L

温度: -20°C到130°C

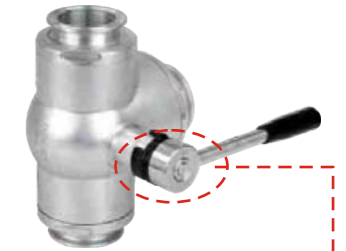
压力: 真空-10bar

Size: 1"-4", DN25-DN100

Material: SS304, SS316L

Temperature: -20° C to 130° C

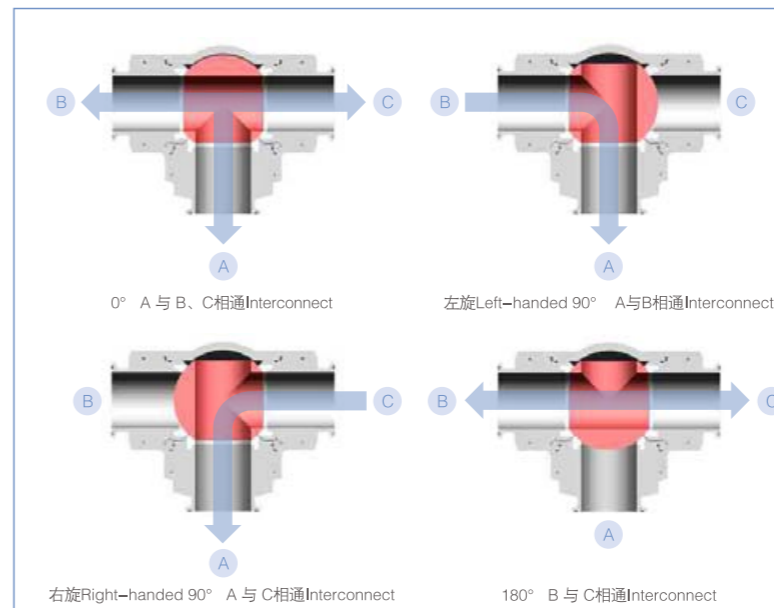
Pressure: vacuum - 10 bar



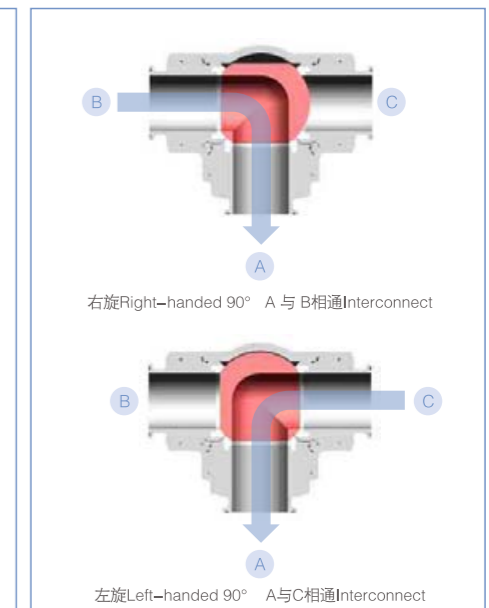
通过指示确认阀门位置  
Confirm valve position with instructions



#### T型三通球阀工作示意图 Working diagram of T-type three-way ball valve



#### L型三通球阀工作示意图 Working diagram of L-type three-way ball valve



# 球阀 Ball valve

## QF-3T-23 Series

### 三通球阀 Three way ball valve

2023款三通球阀是我们精心设计的一款产品，它具有更少的滞留、更小体积、更高承压、更加明确开启位置指示、更小的扭矩、更加美观等技术特点。

2023 3-way ball valves are well-designed, which has technical characteristics such as smaller retention, smaller volume, higher pressure, clearer opening position indication, less torque, and more aesthetics.



## QFW-3T Series

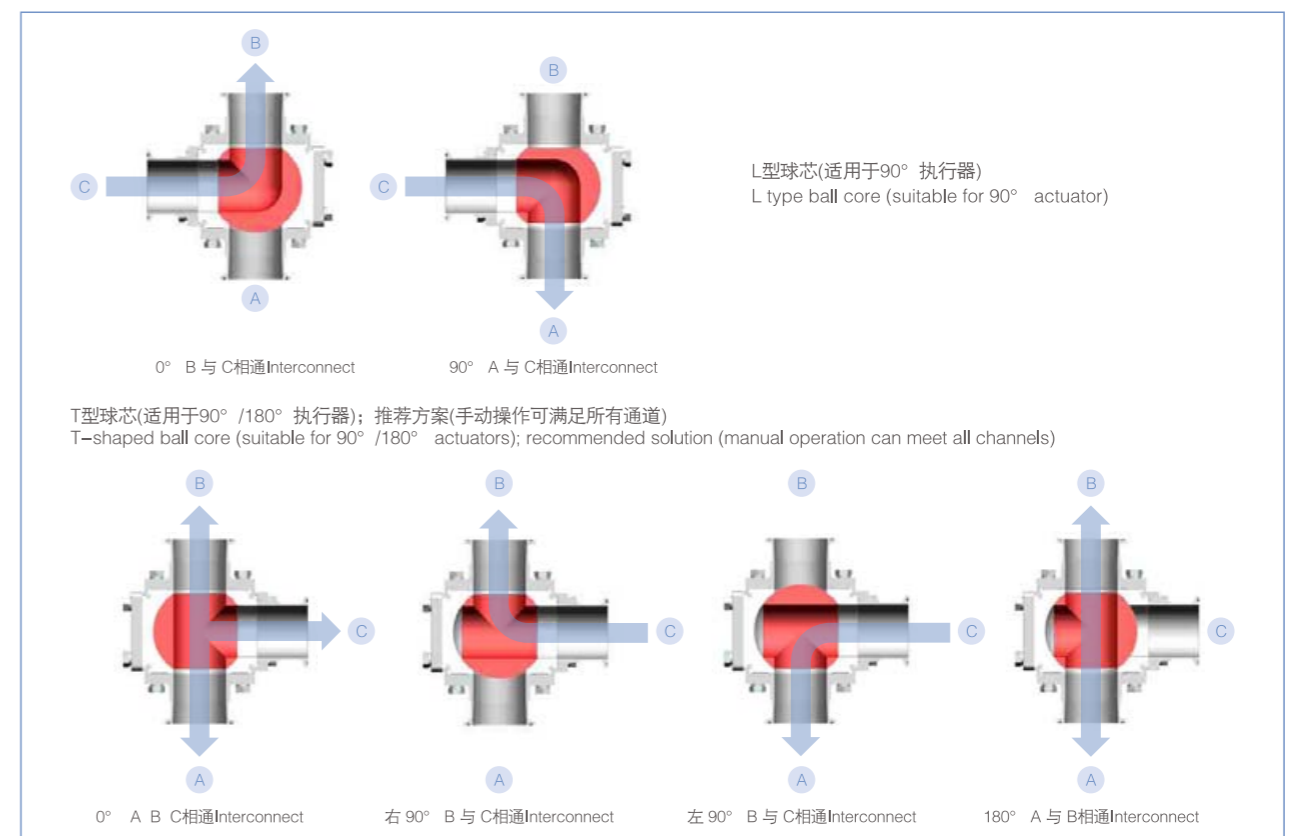
### 三通无滞留球阀 Three-way non-retention ball valve

小扭矩，使用寿命长、全脱脂、密封弹性补偿、体积小、内部无滞留、外观接近于无死角、非常灵活功能组合、无需专业工具即可维护、经济、简单、可靠。

Small torque, long service life, full degreasing, sealing elastic compensation, small size, no internal retention, appearance close to no dead ends, very flexible function combination, maintenance without professional tools, economical, simple and reliable.



### 工作示意图 Working diagram



# 球阀 Ball valve

## QFW-3T Series

### 三通无滞留球阀 Three-way non-retention ball valve

小扭矩，使用寿命长、全脱脂、密封弹性补偿、体积小、内部无滞留、外观接近于无死角、非常灵活功能组合、无需专业工具即可维护、经济、简单、可靠。

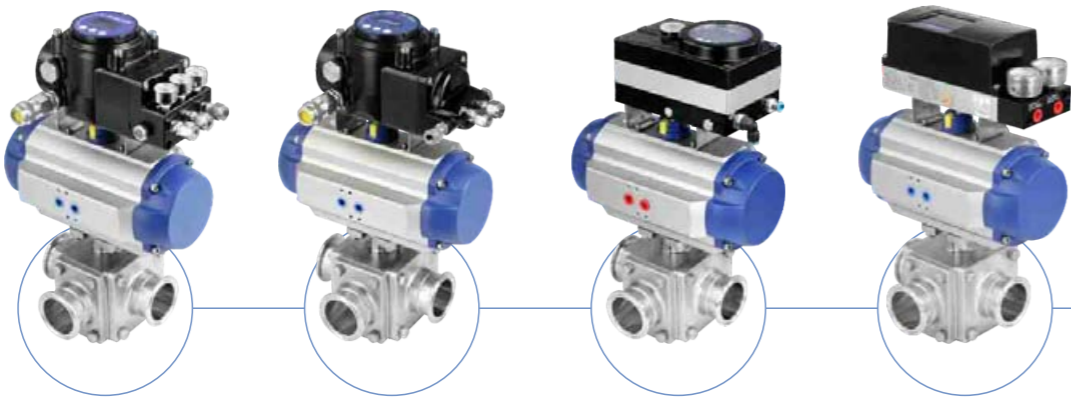
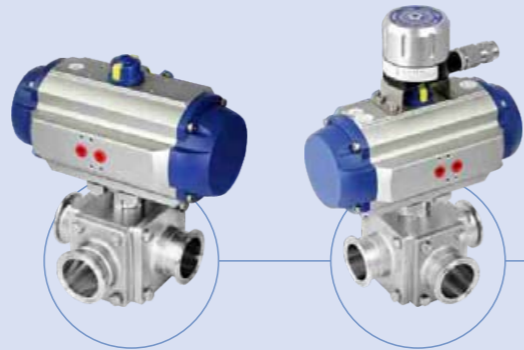
Small torque, long service life, full degreasing, sealing elastic compensation, small size, no internal retention, appearance close to no dead ends, very flexible function combination, maintenance without professional tools, economical, simple and reliable.



电动球阀  
Electric ball valve



气动三通无滞留球阀可适配各种阀门控制器。  
Pneumatic three-way non-retention ball valve can be adapted to various valve controllers.



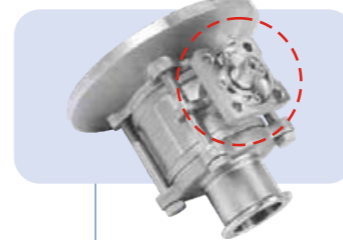
## QF-GD Series

### 罐底球阀 Tank bottom ball valve

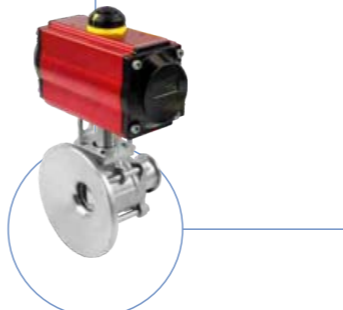
小扭矩，使用寿命长、全脱脂、密封弹性补偿、体积小、内部无滞留、非常灵活功能组合、无需专业工具即可维护、经济、简单、可靠。

Small torque, long service life, full degreasing, sealing elastic compensation, small size, no internal retention, very flexible function combination, maintenance without professional tools, economical, simple and reliable.

Size: 1"-4", DN25-DN100



主要应用容器设备上，用于放料、排泄。  
Mainly used in container equipment, for discharge.



罐底球阀适配于、手动、气动、电动等驱动装置其包含定位器、控制单元、反馈器、位置传感器等。

Tank bottom ball valve is suitable for manual, pneumatic, electric and other driving devices, including positioner, control unit, feedback, position sensor, etc.



# 球阀 Ball valve

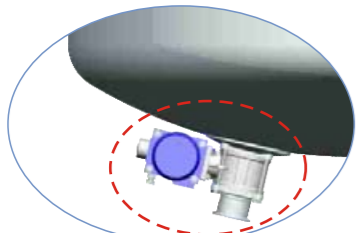
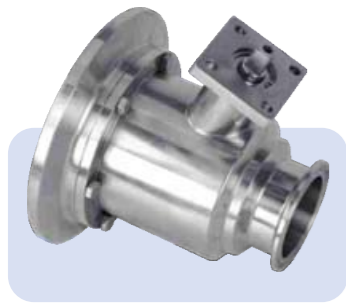
## QF-GDX Series

### 倾斜式罐底球阀 Inclined tank bottom ball valve

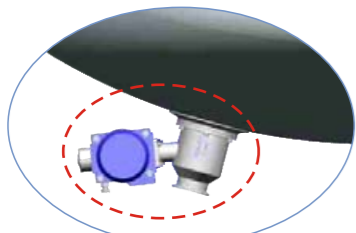
倾斜式罐底球阀设计主要为解决因罐体底部为弧形设计而导致球阀驱动装置与其干涉解决方案。

Inclined tank bottom ball valve is designed to mainly solve interference between ball valve driving and bottom of tank which is caused by arc design of tank bottom.

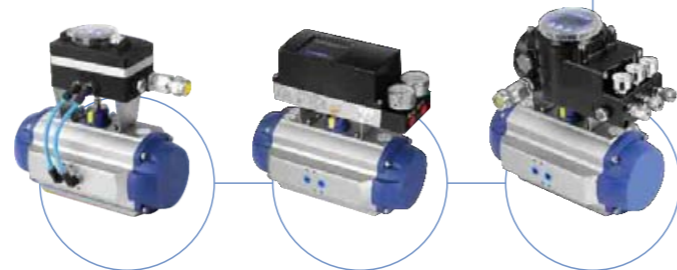
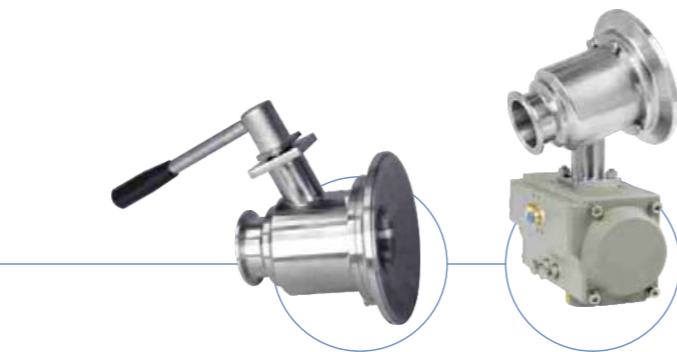
Size: 1"-4", DN25-DN100



标准型罐底球阀  
Standard tank bottom ball valve



倾斜式罐底球阀  
Inclined tank bottom ball valve



卧式气动倾斜角度罐底球阀可适配各种阀门控制器  
Horizontal pneumatic tilt angle tank bottom ball valve can be adapted to various valve controllers



立式气动倾斜角度罐底球阀可适配各种阀门控制器  
Vertical pneumatic tilt angle tank bottom ball valve can be adapted to various valve controllers

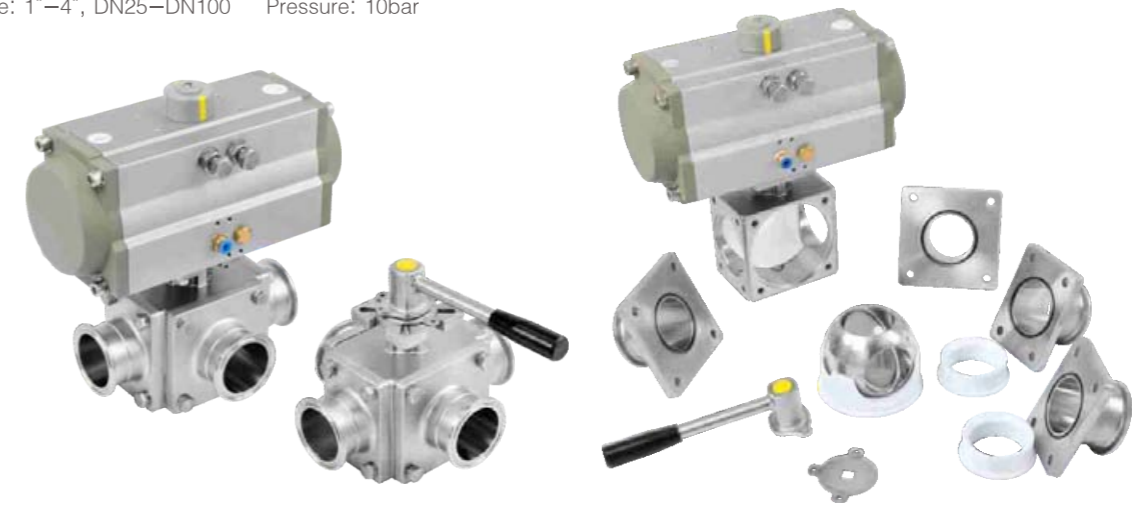
## QFW-4T Series

### 四通无滞留球阀 Four-way non-retention ball valve

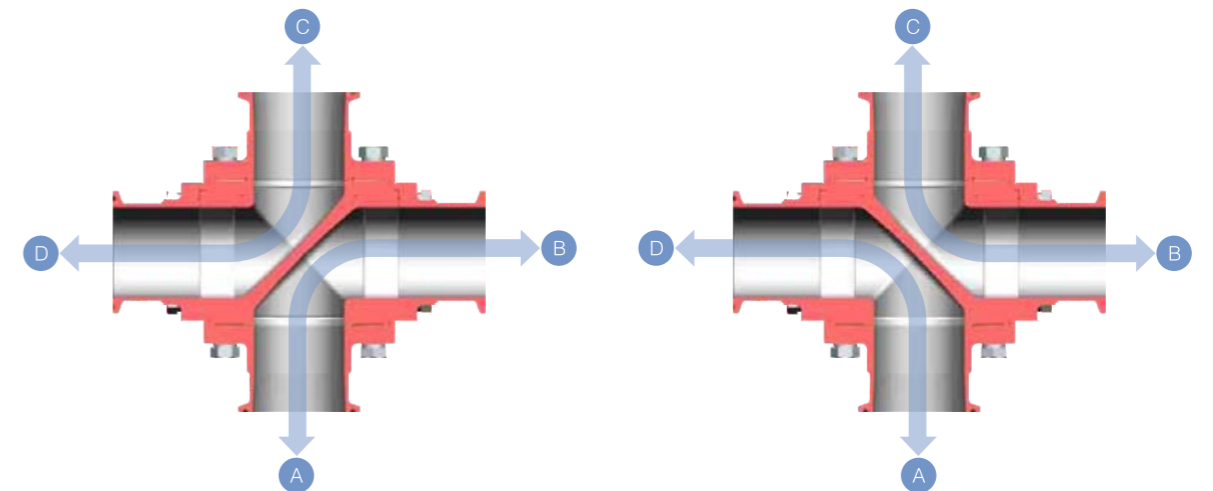
四通球阀是一款双L型通道的球阀，它设计有4个通道，通过旋转90°即可实现通道切换，且形成双L型通道。

The four-way ball valve is a double L-channel ball valve, which is designed with 4 channels, and the channel can be switched by rotating 90°, and a double L-shaped channel is formed.

Size: 1"-4", DN25-DN100 Pressure: 10bar



### 工作示意图 Working diagram



0° A与B相通; C与D相通  
0° A and B connect; C and D connect

90° A与D相通; B与C相通  
90° A and D connect; B and C connect

# 弧形阀系列 Arc valve series

HXF type



核心功能  
可替代球阀  
通道分别独立控制  
柔性清理器经过阀门

Core functionality  
Can replace ball valves  
The channels are controlled independently  
The flexible cleaner passes through the valve

弧形阀是一款高洁净卫生设计的阀门，它可以使用在管路清理系统上也可以作为切断，换向或复杂工艺管路系统。

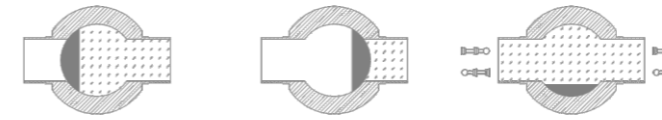
- 规格：1"-4", DN25-DN100
- 材质：SS304/316L
- 温度：Max 140°C
- 压力：外弧3bar/内弧10bar

Arc valve is a kind of high cleanliness sanitary valve, it can be used in the pipeline cleaning system can also be cut off, reversing or complex process pipeline system.

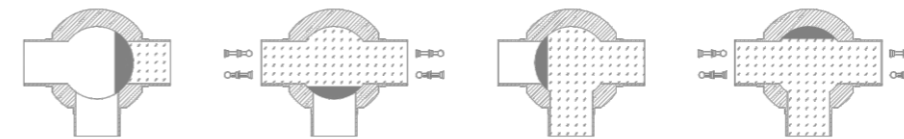
- Specification: 1"-4", DN25-DN100
- Material: SS304/316L
- Temperature: Max 140°C
- Pressure: outer arc 3bar/ inner arc 10bar

## 阀门工作示意图 Valve Working Diagram

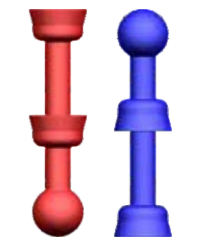
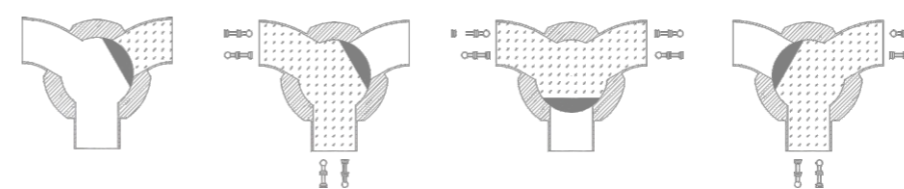
2-way shutter valve



3-way shutter valve

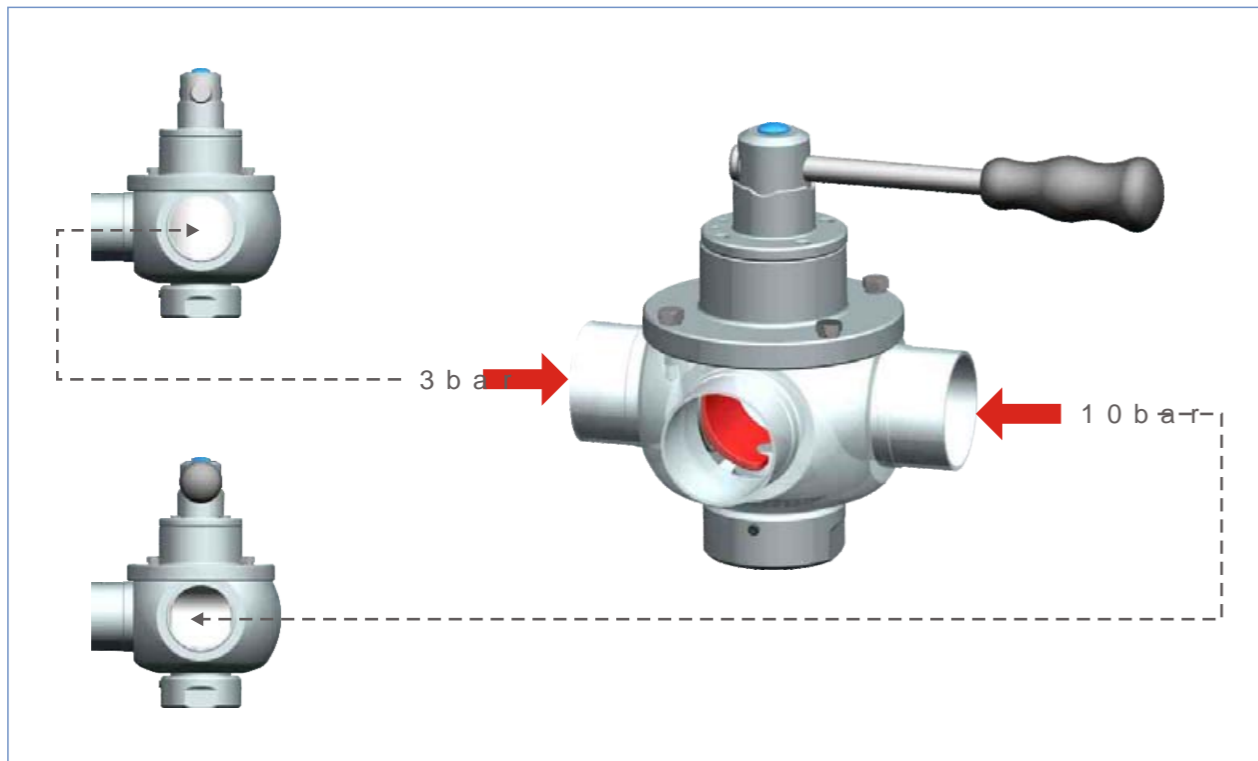


pig diverter shutter valve 90° / 120°



柔性清理器  
Flexible cleaner

## 阀门承压方向 Valve pressure bearing direction



## 优势 Advantage

全通径、无流阻、颗粒通过与通径相等、高粘度滞留在管道的物料借助管路柔性清理器对其回收，阀门通道独立分别关闭。

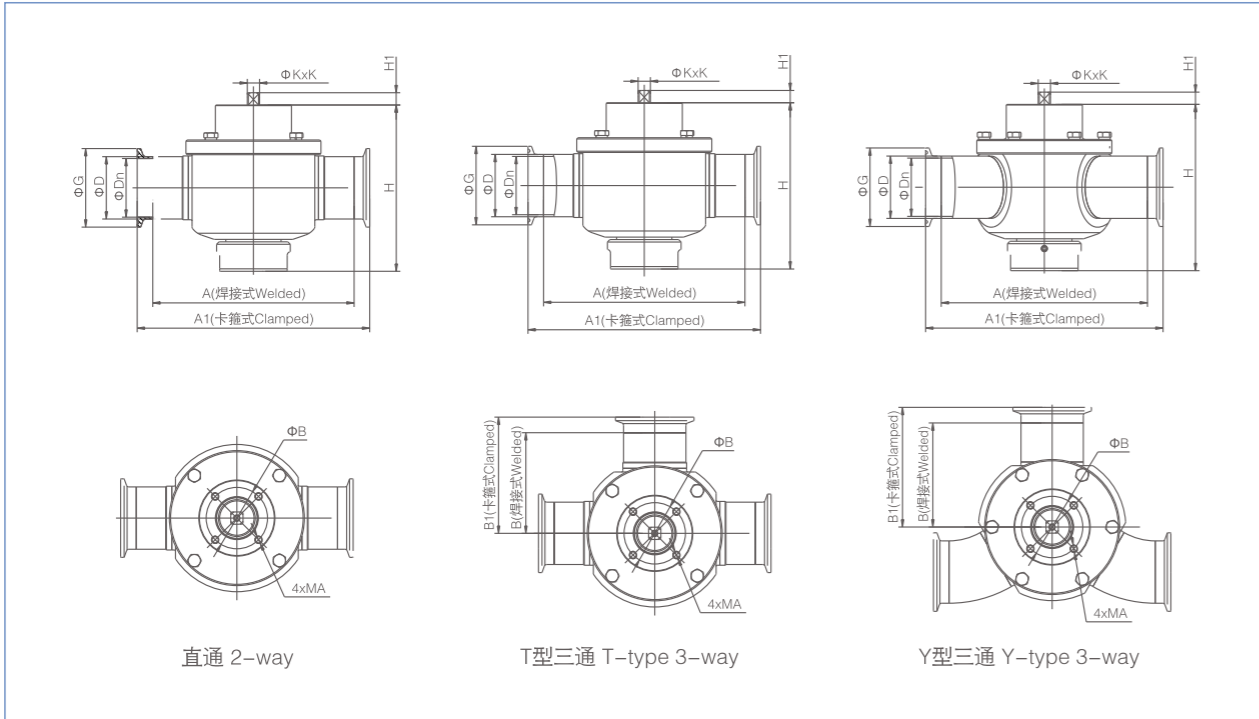
Full-diameter, no flow resistance, particles pass through the same diameter, high-viscosity trapped in the pipeline material with high viscosity independently closed the recovery valve channel with the help of a pipeline flexible cleaner.



# 弧形阀系列 Arc valve series

# 截止换向阀 Single seat valve

弧形旋转阀(不带执行器)数据图 Arc Rotary Valve (Without Actuator) Data Diagram



## INCH Series

SIZE	ΦD	ΦDn	ΦG	H	H1	ΦB	4 × MA	K × K	直通T型 2-way T-type				Y型 Y-type			
									A	A1	B	B1	A	A1	B	B1
1"	25.4	22.1	50.5	105.5	10	50	4 × M6	10 × 10	110	135.4	55	67.7	105.6	131	52.8	65.5
1.5"	38.1	34.8	50.5	122.5	10	50	4 × M6	10 × 10	140	165.4	70	82.7	136.8	162.2	68.4	81.1
2"	50.8	47.5	64	135.5	10	50	4 × M6	10 × 10	164	189.4	82	94.7	168	193.4	84	96.7
2.5"	63.5	59.5	77.5	150	13	70	4 × M8	14 × 14	210	235.4	105	117.7	222.6	248	111.3	124
3"	76.2	72.2	91	166	13	70	4 × M8	14 × 14	220	245.4	110	122.7	252.8	278.2	126.4	139.1
4"	101.6	97.6	119	203	13	70	4 × M8	14 × 14	310	341.6	155	170.8	330	361.5	165	180.8

## DIN Series

SIZE	ΦD	ΦDn	ΦG	H	H1	ΦB	4 × MA	K × K	直通T型 2-way T-type				Y型 Y-type			
									A	A1	B	B1	A	A1	B	B1
DN25	28	25	50.5	105.5	10	50	4 × M6	10 × 10	110	153	55	76.5	117.5	160.5	52.8	74.3
DN40	40	37	50.5	122.5	10	50	4 × M6	10 × 10	140	183	70	91.5	148.3	191.3	68.4	89.9
DN50	52	49	64	135.5	10	50	4 × M6	10 × 10	164	207	82	103.5	161.8	204.8	84	105.5
DN100	104	100	119	203	14	70	4 × M8	14 × 14	310	366	155	183	277.5	333.5	165	193

## HX type



截止换向阀具有非常灵活的阀体组合和各种功能配置，如无菌式、杀菌、隔膜式、阀位可调式、夹套保温、阻尼缓冲式、双头阀体等。也可安装各种自控阀门定位器、控制单元、反馈器、位置传感器等。

Single seat valve has very flexible valve body combination and various functional configurations, such as aseptic, sterilization, diaphragm type, adjustable valve position, jacket insulation, damping buffer, double seat etc. Also can install with automatic positioner, control head, feedback device, position sensor etc.



## 技术特点

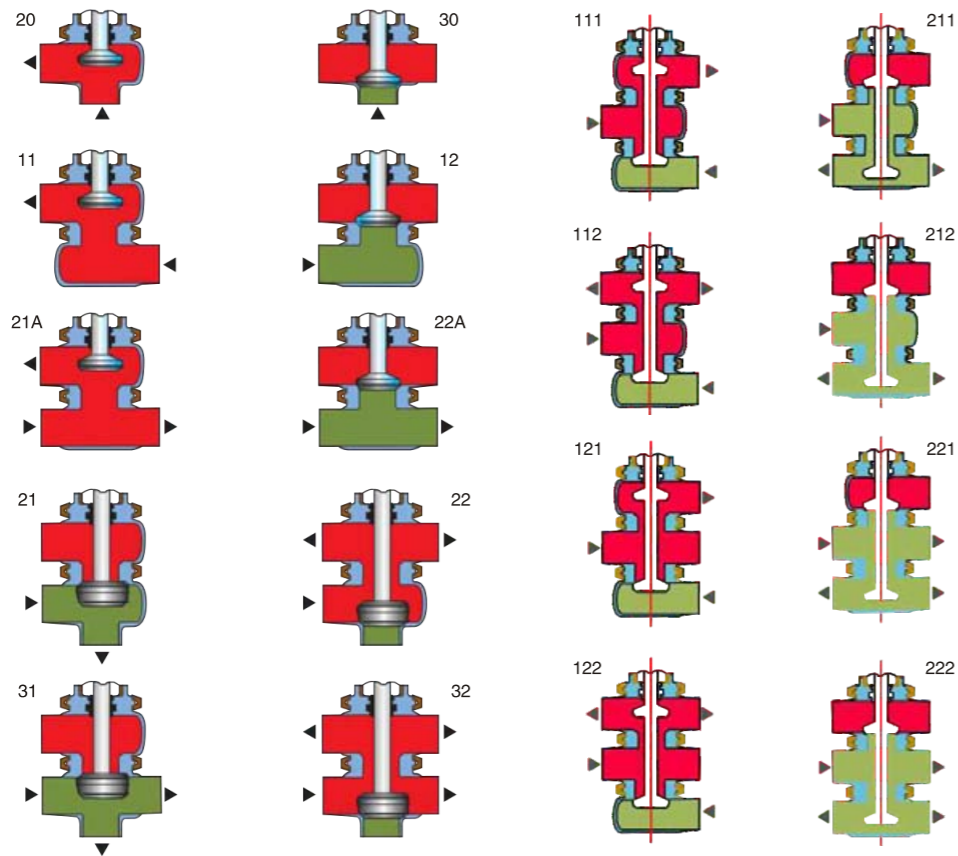
- 规格: 1/2"-6", DN10-DN150
- 材质: 316L/1.4404, ASME BPE 316L 1.4435 NB2 Fe≤0.5%
- 压力: 真空~10bar(1.0Mpa)
- 温度: -20°C 到 +150°C, 取决密封于材质
- 密封: EPDM FKM HNBR PTFE
- 连接标准: DIN SMS ISO IDF RJT BS4825 ASME BPE 3A DIN11864 DIN11853
- 连接方式: 螺纹、卡箍、焊接、法兰
- 驱动方式: 手动、气动、电动
- 粗糙度: Ra≤0.6 μm; MP=Ra≤0.3 μm; EP=Ra≤0.3 μm
- 认证: FDA 177.2600; 3A-53-07; Glass II USP Glass VI Chapter 88; GB4806.11; EG VO/1935-2004; PED/97/23/EC;

## Technical Features

- Size: 1/2"-6", DN10-DN150
- Material: 316L/1.4404, ASME BPE 316L 1.4435 NB2 Fe≤0.5%
- Pressure: vacuum to 10bar (1.0Mpa)
- Temperature: -20°C to +150°C, Depending on the seal material
- Seal: EPDM FKM HNBR PTFE
- Connection standard: DIN SMS ISO IDF RJT BS4825 ASME BPE 3A DIN11864 DIN11853
- Connection way: threaded, clamp, welding, flange
- Drive mode: manual, pneumatic, electric
- Roughness: Ra≤0.6 μm; MP=Ra≤0.3 μm; EP=Ra≤0.3 μm
- Certification: FDA 177.2600; 3A-53-07; Glass II USP Glass VI Chapter 88; GB4806.11; EG VO/1935-2004; PED/97/23/EC;

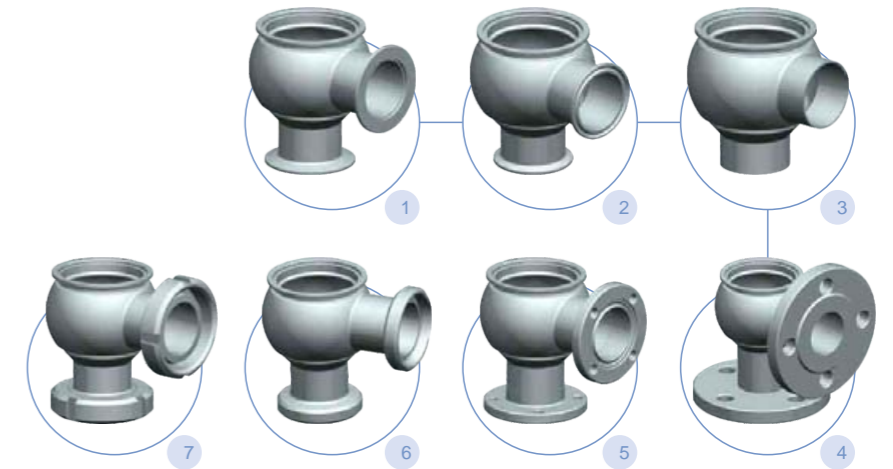
# 截止换向阀 Single seat valve

## 非常灵活的阀体组合和连接方式 Very Flexible Valve Body Combination And Connection Type



## 不同连接方式 Different Connection End

- |        |                   |
|--------|-------------------|
| 1、真空卡箍 | 1. Vacuum clamp   |
| 2、卡箍   | 2. Clamp          |
| 3、焊接   | 3. Welding        |
| 4、法兰   | 4. Flange         |
| 5、无菌法兰 | 5. Aseptic flange |
| 6、螺纹   | 6. Thread         |
| 7、螺母   | 7. Nut            |

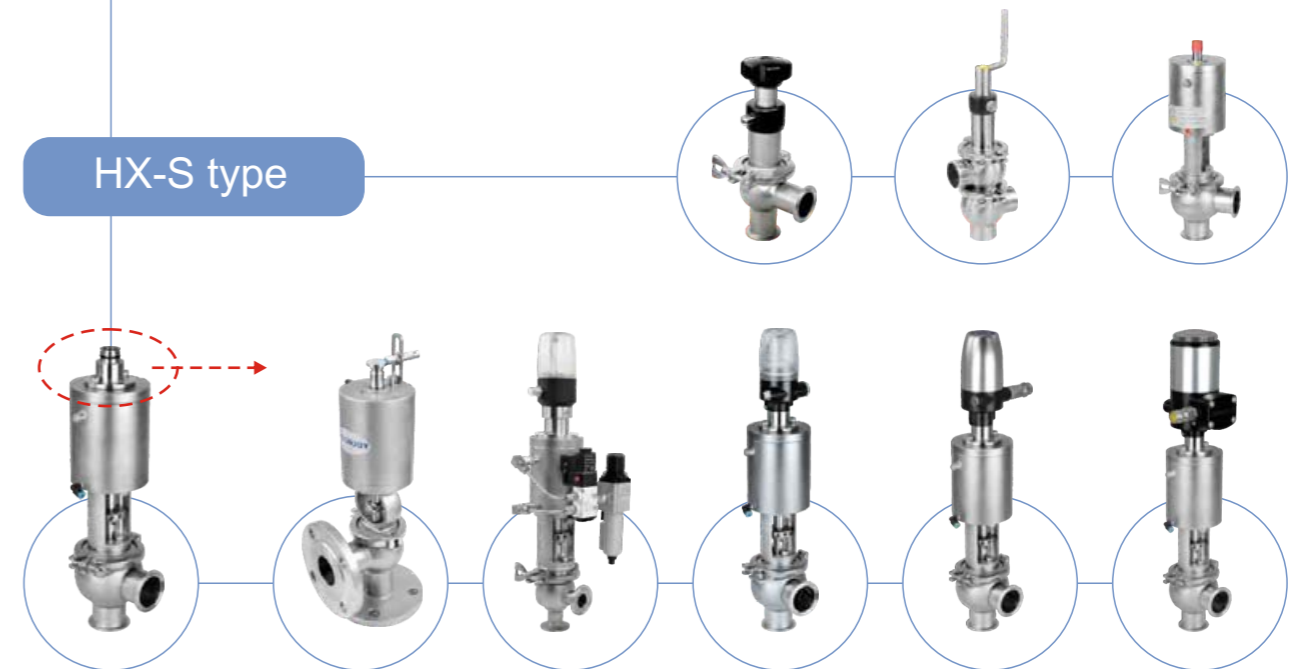


### 推荐型截止换向阀 Recommended single seat valve

阀体连接采用卡箍式，常闭和常开180° 掉头实现，阀门承压≤10bar，规格 1/2"-4"，DN10-DN100，可配置各种控制器。

Valve body adopts clamp type, normally closed and normally open 180° U-turn round realization, pressure bear ≤10bar, size 1/2"-4", DN10-DN100, various controller can be configured.

### HX-S type

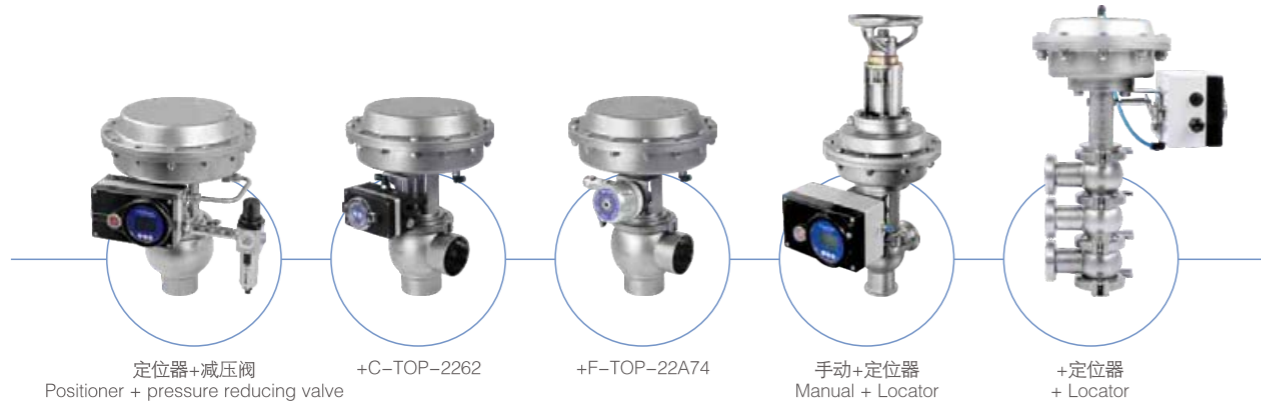


气动截止换向阀可适配于各种阀门控制器  
Pneumatic single seat valve can be adapted to various valve controllers

# 截止换向阀 Single seat valve

**HX-BM type**  
**薄膜式截止换向阀**  
Film-type  
single seat valve

薄膜式截止换向阀承受更高压力 ≤30bar，更短高度、不锈钢材质  
Film-type single seat valve can bear pressure ≤30bar, Shorter height, stainless steel



**HX-GM type**  
**隔膜无菌截止换向阀**  
Membrane  
aseptic single seat valve

设计有膜片屏障完全隔绝阀腔和外界接触。  
Diaphragm isolate the valve from outside circumstance

隔膜无菌的设计有PTFE膜片完全隔绝了阀门与外界的联系，防止了细菌进入的风险。同时设计与检漏腔实时检测膜片泄漏或损坏。

Membrane aseptic design is accomplished by PTFE diaphragm to isolate the valve from outside circumstance, preventing risk if bacteria entering. At the same time, the leak detection chamber is designed to detect diaphragm leakage or damage in real time.



**HX-ZH type**  
**多通道截止换向阀**  
Multi-port  
single seat valve

多通道阀它具有多功能的组合应用，也可以在工艺管路上添加介质、对主阀CIP清洗和SIP杀菌，最低点液体自排空等功能应用。

Multi-port valve has a multi-functional combination application, can also be added to the process pipeline, the main valve CIP cleaning and SIP sterilization, the lowest point liquid self-emptying and other functional applications.

**技术参数**  
Technical parameters

主阀: 2"-4", DN50-DN100  
支阀: 1/2"-1.5", DN10-DN40  
材质: SS304/316L  
温度: -20°C到150°C  
压力: 真空-10bar  
Main valve: 2"-4", DN50-DN100  
Branch valve: 1/2"-1.5", DN10-DN40  
Material: SS304/316L  
Temperature: -20° C to 150° C  
Pressure: vacuum - 10 bar

支阀Support valve

主阀Main valve



**HX-D type**  
**电动截止换向阀**  
Electric  
single seat valve

AC20V/110V, DC24V  
开关型: 有源、无源信号  
调节型: 4-20mA  
Switch type: active, passive signal  
Regulation type: 4-20mA



# 截止换向阀 Single seat valve

**缓冲阻尼**  
Cushion damping

缓冲阻尼防止启闭震动、颗粒被剪切  
Buffer damping prevents opening and closing vibrations and particles from being sheared

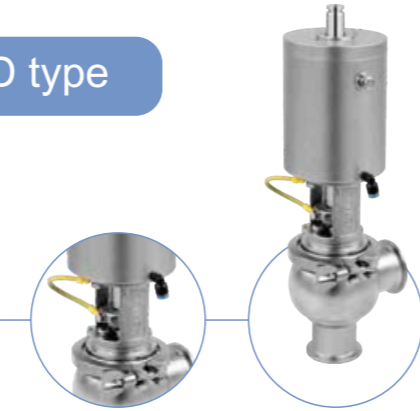
**防静电装置**  
Anti-static device

解决因运动部件绝缘而可能出现的静电而设计防静电装置  
Anti-static devices are designed to address static electricity that may occur due to the insulation of moving parts

**HX-ZN type**



**HX-FJD type**



**阀位流量可调**  
Flow position adjustable valve

扳手调整调节器，就可以控制流量的大小  
Adjust the regulator with a wrench to control the flow rate

**夹套保温**  
Jacket insulation

夹套保温主要是为了保持进过阀体介质保持所需温度。  
In order to maintain the required temperature of the medium passing through the valve body.

**HX-FT type**

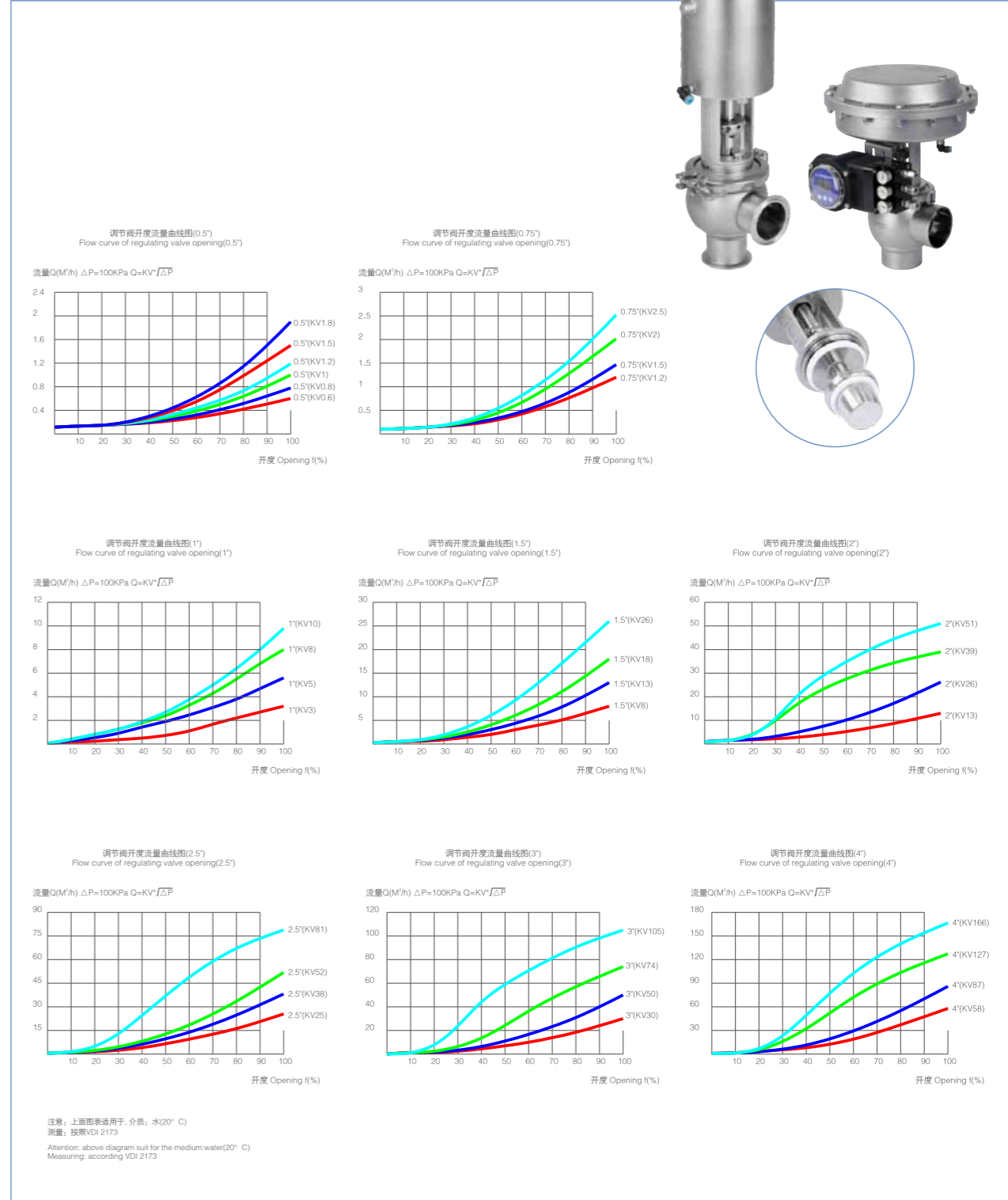


**HX-BW type**



# 调节阀 Regulating valve

## 流量曲线特性图 Flow Curve Characteristic Diagram



# 防混阀 Mixproof valve

## FHF- ISC type



防混双座阀是一款可在线原位CIP清洗、SIP杀菌、泄漏可发现、双层密封保护、防止介质被污染的风险等技术特点的一款阀门，且具有非常灵活的阀体组合和功能配置如阀门控制单元、反馈器、位置传感器等。该阀门的设计完全基于美国3-A-85-03高洁净要求设计。

The anti-mixing double seat valve is a valve with technical characteristics such as online in-situ CIP cleaning, SIP sterilization, leakage detection, double-layer sealing protection, and prevention of the risk of medium contamination. It also has a very flexible valve body combination and Functional configuration such as valve control unit, feedback device, position sensor, etc. The design of the valve is completely based on the high cleanliness requirements of the United States 3-A-85-03 design.



### 技术特点

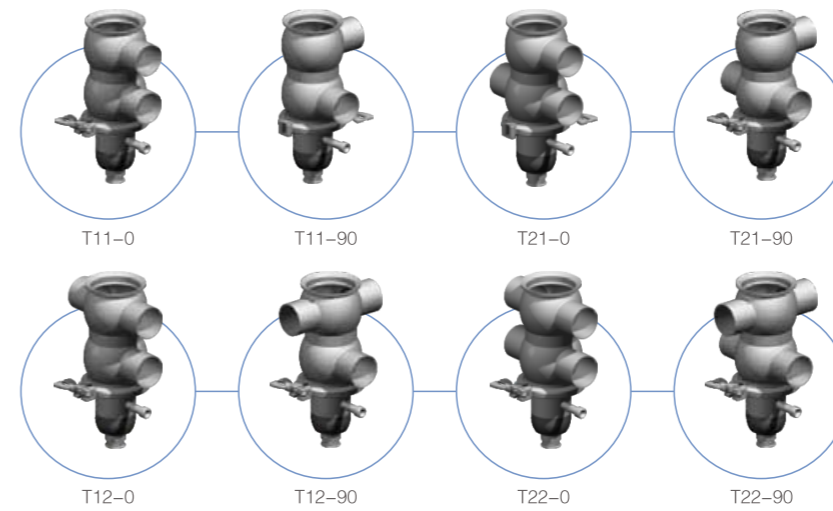
- 规格：1.5"-6"，DN40-DN150
- 材质：316L/1.4404, ASME BPE 316L 1.4435 NB2 Fe≤0.5%
- 压力：真空~10bar(1.0 MPa)
- 温度：-20℃ 到 +150℃，取决于密封于材质
- 密封：EPDM FKM HNBR
- 连接标准：DIN SMS ISO IDF RJT BS4825 ASME BPE 3A DIN11864 DIN11853
- 连接方式：螺纹、卡箍、焊接、法兰
- 驱动方式：气动
- 光洁度：Ra≤0.6 μm；MP=Ra≤0.3 μm；EP=Ra≤0.3 μm
- 认证：FDA 177.2600；3A-85-03；Glass II USP Glass VI Chapter 88；GB4806.11；EG VO/1935-2004；PED/97/23/EC。

### Technical Features

- Specifications: 1.5"-6", DN40-DN150
- Material: 316L/1.4404, ASME BPE 316L 1.4435 NB2 Fe≤0.5%
- Pressure: vacuum to 10bar (1.0 MPa)
- Temperature: -20°C to +150°C, Depending on the seal material
- Sealing: EPDM FKM HNBR
- Connection standard: DIN SMS ISO IDF RJT BS4825 ASME BPE 3A DIN11864 DIN11853
- Connection method: Thread, clamp, welding, flange
- Drive mode: pneumatic
- Finish: Ra≤0.6 μm；MP=Ra≤0.3 μm；EP=Ra≤0.3 μm
- Certification: FDA 177.2600；3A-85-03；Glass II USP Glass VI Chapter 88；GB4806.11；EG VO/1935-2004；PED/97/23/EC。

## 非常灵活的阀体组合和连接方式 Very Flexible Valve Body Combination And Connection Method

### 整体式阀体组合 Integral valve body combination



#### 整体阀体组合：

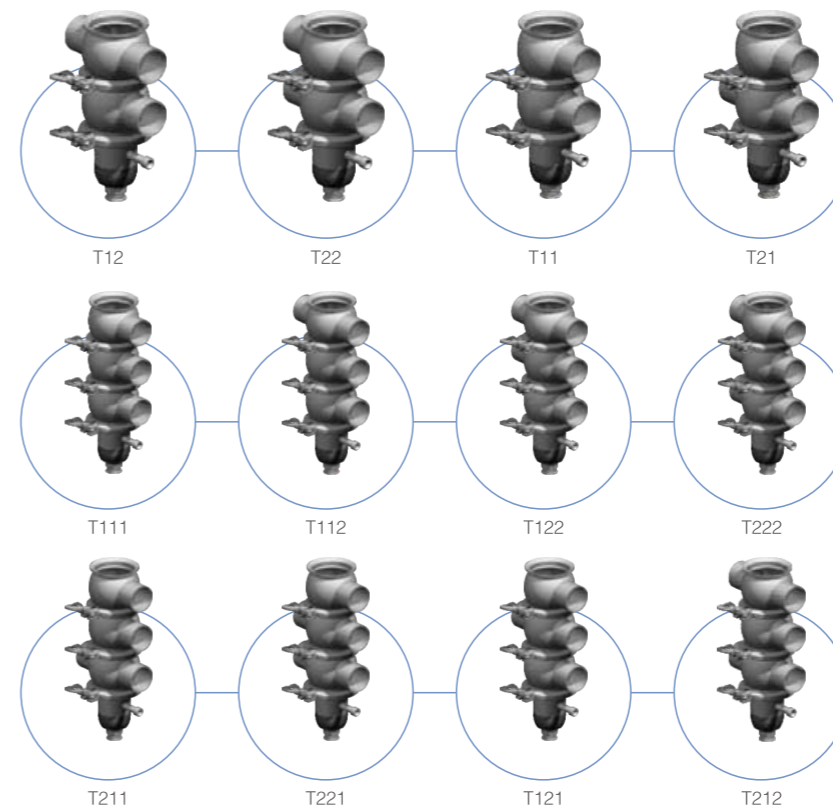
整体式阀体组合，优势在于更少的O型圈，更少的可能存在死角。缺点必须确定阀体进出口的方向和角度，阀体角度不可调整。

**Overall valve body combination:**  
The integral valve body combination has the advantage of fewer O-rings and fewer dead ends. Disadvantages: The direction and angle of the inlet and outlet of the valve body must be determined, and the angle of the valve

#### 卡箍式阀体组合：

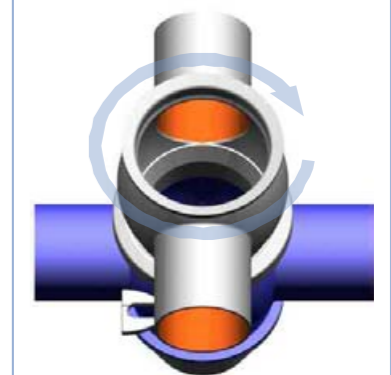
卡箍式阀体组合，优势在于相比较整体式阀体具有更加灵活的阀体组合角度可任意调整(360°)。缺点在于更多O型圈，可能存在更多的死角。

### 卡箍式阀体组合 Clamp type valve body combination



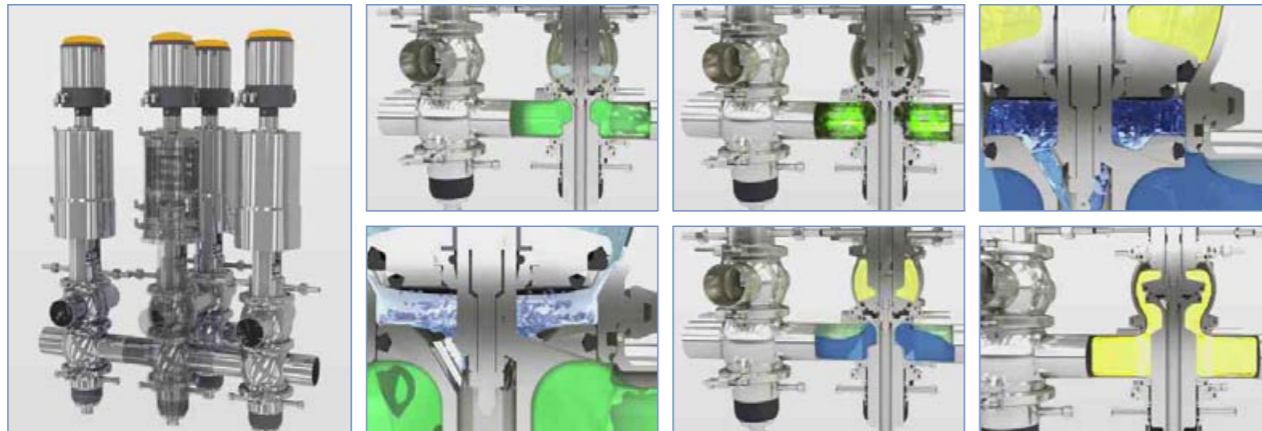
**Clamp valve body combination:**  
The clamp-type valve body combination has the advantage that compared with the integral valve body, it has a more flexible valve body combination angle that can be adjusted arbitrarily (360°). The disadvantage is that more O-rings may have more

阀体之间360° 任意旋转角度  
360° arbitrary rotation angle between valve bodies



# 防混阀 Mixproof valve

## 工作原理图 Working principle diagram



防混阀可应用在阀门阵列系统上，因该阀门具有可在线原位CIP清洗、杀菌、自排空、无死角、无滞留等技术特点，并且具有非常灵活的配置如位置反馈器、阀门控制单元、位置传感器等自控系统。

Many anti-mixing valves are used in valve array systems, because the valve has the technical characteristics of online in-situ CIP cleaning, sterilization, self-draining, no dead ends, no retention, etc., and has very flexible configurations such as position feedback devices and valves Automatic control systems such as control units and position sensors.

## FHF-GD type

### 防混罐底阀 Mix-proof tank bottom valve

防混罐底阀，是一款高洁净、可在线清洗、杀菌于一体的防混式罐底阀。

The anti-mixing tank bottom valve is a high-cleanliness, online cleaning and sterilization integrated anti-mixing tank bottom valve.

双层密封保护、泄漏可发现、自排泄，防止介质混合污染。

Double seal protection, leakage can be found, self-draining, prevent media mixed contamination.

### 技术特点

- 规格：1.5"-6"，DN40-DN150
- 材质：316L/1.4404，ASME BPE 316L 1.4435 NB2 Fe≤0.5%
- 压力：真空-10bar(1.0 MPa)
- 温度：-20°C 到 +150°C，取决于密封于材质
- 密封：EPDM FKM HNBR
- 连接标准：DIN SMS ISO IDF RJT BS4825 ASME BPE 3A DIN11864 DIN11853
- 连接方式：螺纹、卡箍、焊接、法兰
- 驱动方式：气动
- 光洁度：Ra≤0.6 μm；MP=Ra≤0.3 μm；EP=Ra≤0.3 μm
- 认证：FDA 177.2600；3A-85-03；Glass II USP Glass VI Chapter 88；GB4806.11；EG VO/1935-2004；PED/97/23/EC。

### Technical Features

- Specifications: 1.5"-6", DN40-DN150
- Material: 316L/1.4404, ASME BPE 316L 1.4435 NB2 Fe≤0.5%
- Pressure: vacuum to 10bar (1.0 MPa)
- Temperature: -20°C to +150°C, Depending on the seal material
- Sealing: EPDM FKM HNBR
- Connection standard: DIN SMS ISO IDF RJT BS4825 ASME BPE 3A DIN11864 DIN11853
- Connection method: Thread, clamp, welding, flange
- Drive mode: pneumatic
- Finish: Ra≤0.6 μm; MP=Ra≤0.3 μm; EP=Ra≤0.3 μm
- Certification: FDA 177.2600; 3A-85-03; Glass II USP Glass VI Chapter 88; GB4806.11; EG VO/1935-2004; PED/97/23/EC.

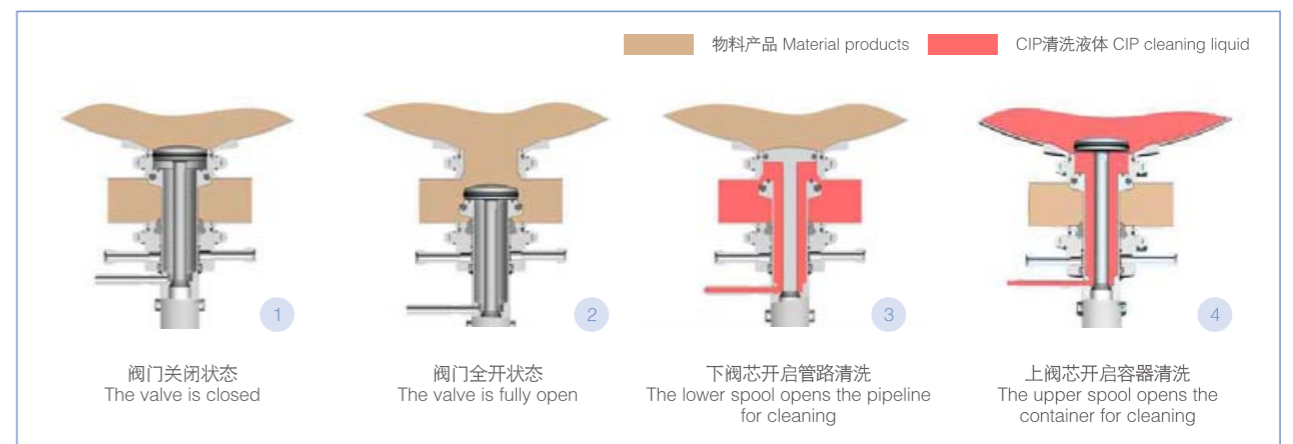


配置各种控制器或位置传感器  
Configure various controllers or position sensors

有关控制器或传感器请查阅相关章节或目录册  
For controllers or sensors, please refer to relevant chapters or catalogs

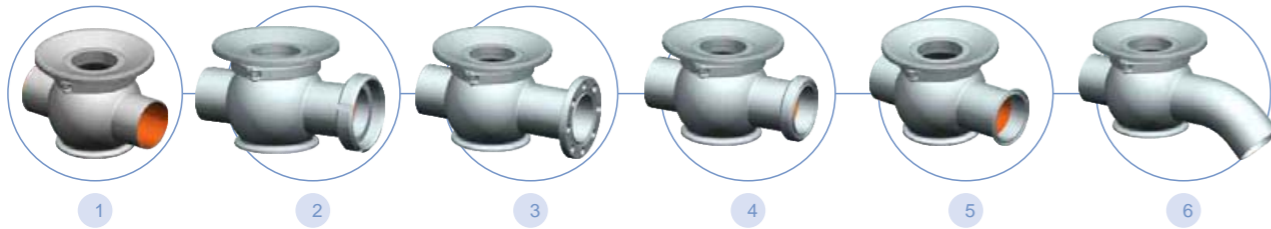


## 工作原理图 Working principle diagram

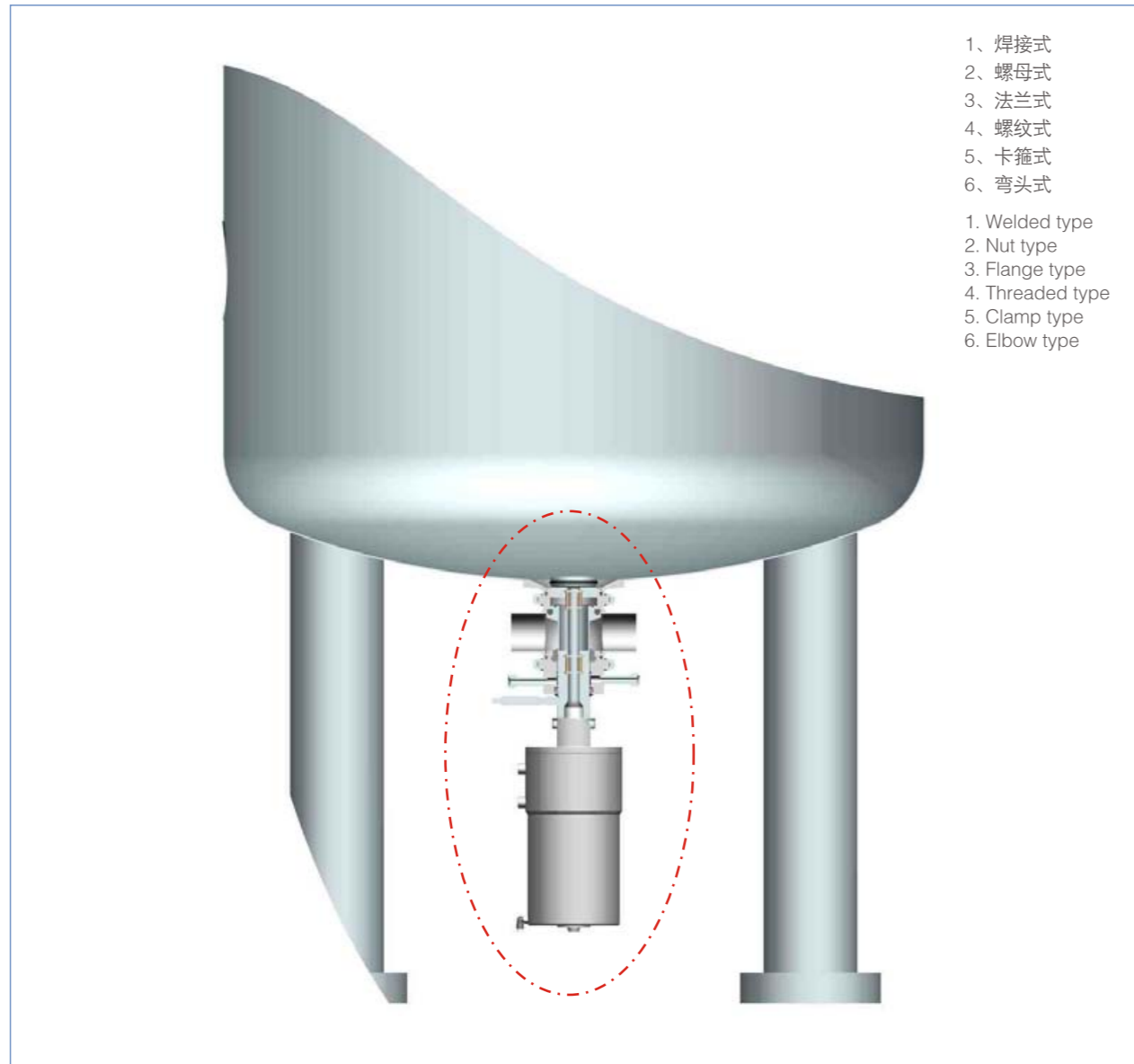


# 防混阀 Mixproof valve

## 不同连接方式 Different Connection Methods



## 罐底安装示意图 Schematic diagram of tank bottom installation



- 1、焊接式
  - 2、螺母式
  - 3、法兰式
  - 4、螺纹式
  - 5、卡箍式
  - 6、弯头式
- 1. Welded type
  - 2. Nut type
  - 3. Flange type
  - 4. Threaded type
  - 5. Clamp type
  - 6. Elbow type

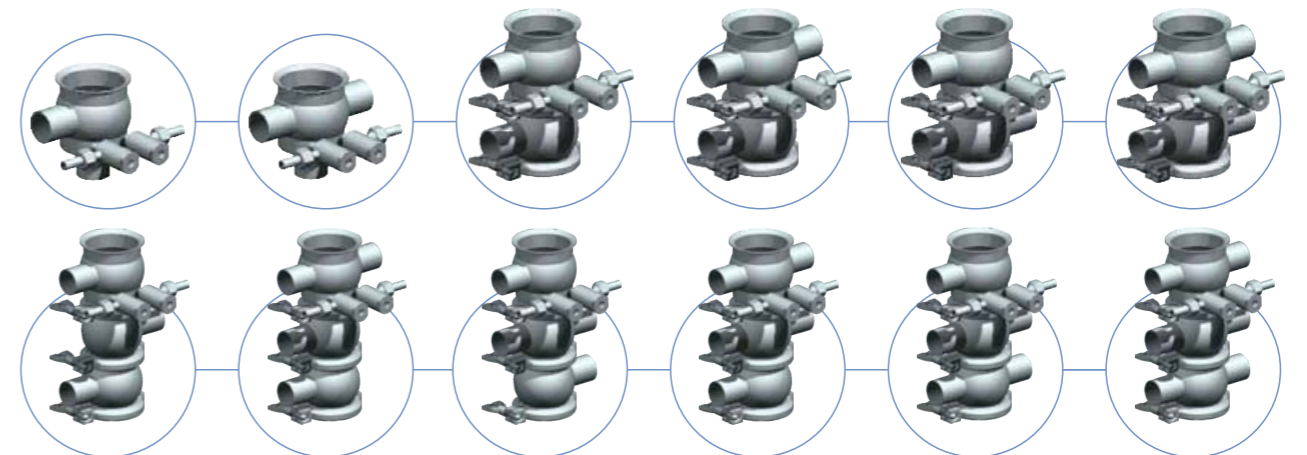
## FHF-EC type

EC-系列是一款利用外部引入式CIP、SIP清洗和杀菌的防混阀，它具有双层密封保护、泄漏可发现、可排泄，防止物料给污染的风险。且有非常灵活的阀体组合应用。

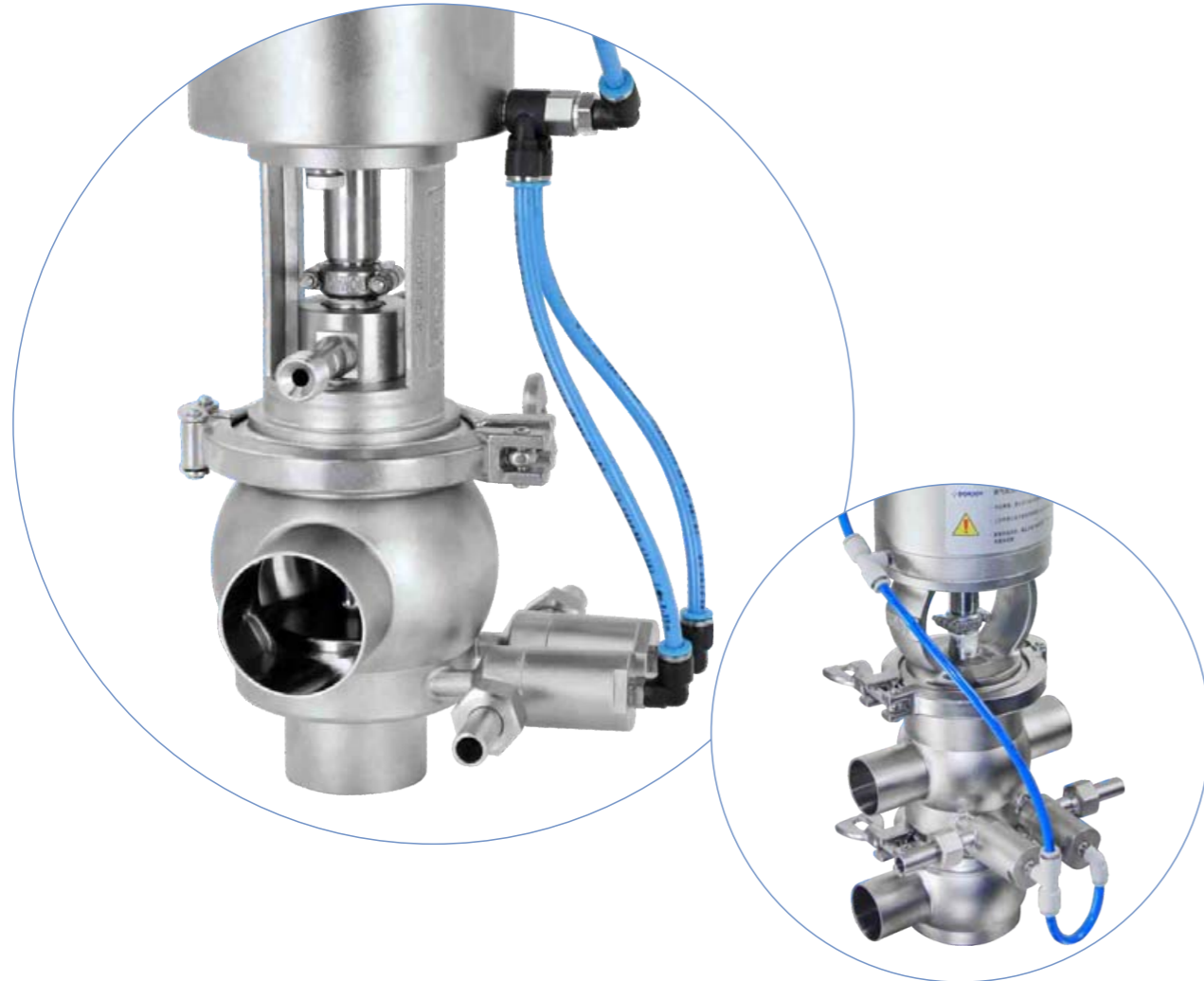
The EC-series is a mixed-proof valve that uses externally introduced CIP and SIP cleaning and sterilization. It has double-layer sealing protection, leakage can be found, and drained to prevent the risk of material contamination. And there is a very flexible valve body combination application.



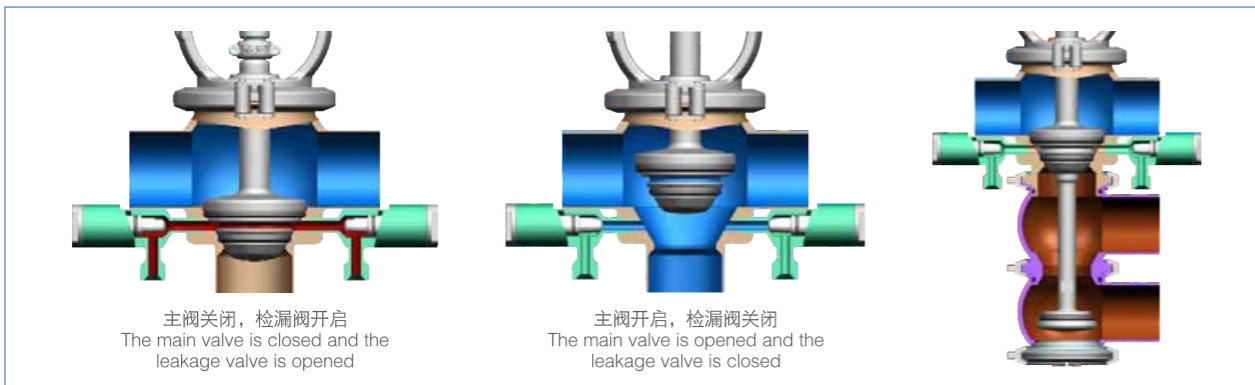
## 非常灵活的阀体组合和连接方式 Very Flexible Valve Body Combination And Connection Method



防混阀  
Mixproof valve



工作原理图 Working principle diagram



角座阀  
Angle seat valve

JZ type

角座阀具有与口径相等的通量，极小流阻、启闭无噪音、无死角、可适用于真空环境、设计款型多样。

The angle seat valve has the same flux as the diameter, minimal flow resistance, no noise during opening and closing, no dead angle, It can be used in vacuum environment and has various designs.



技术特点

- 规格：1/2"-4", DN10-DN100
- 材质：316L/1.4404, ASME BPE 316L 1.4435 NB2 Fe≤0.5%
- 压力：真空~10bar(1.0 MPa)
- 温度：-20°C 到 +150°C, 取决密封于材质
- 密封：PTFE/TFM/PEEK
- 连接标准：DIN SMS ISO IDF RJT BS4825 ASME BPE 3A DIN11864 DIN11853
- 连接方式：螺纹、卡箍、焊接、法兰
- 驱动方式：手动、气动、电动
- 光洁度：Ra≤0.6 μm; MP=Ra≤0.3 μm; EP=Ra≤0.3 μm
- 认证：FDA 177.2600; Glass II USP Glass VI Chapter 88; GB4806.11; EG VO/1935-2004; PED/97/23/EC;

Technical Features

- Specifications: 1/2"-4", DN10-DN100
- Material: 316L/1.4404, ASME BPE 316L 1.4435 NB2 Fe≤0.5%
- Pressure: vacuum to 10bar (1.0 MPa)
- Temperature: -20°C to +150°C, Depending on the seal material
- Sealing: PTFE/TFM/PEEK
- Connection standard: DIN SMS ISO IDF RJT BS4825 ASME BPE 3A DIN11864 DIN11853
- Connection method: thread, clamp, welding, flange
- Drive mode: manual, pneumatic, electric
- Finish: Ra≤0.6 μm; MP=Ra≤0.3 μm; EP=Ra≤0.3 μm
- Certification: FDA 177.2600; Glass II USP Glass VI Chapter 88; GB4806.11; EG VO/1935-2004; PED/97/23/EC;

# 角座阀 Angle seat valve



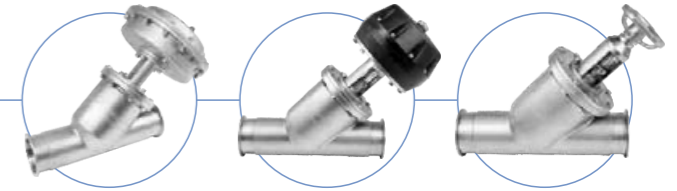
## 不同连接方式 Different Connection Methods

- |        |                  |
|--------|------------------|
| 1、内螺纹  | 1.Female thread  |
| 2、焊接   | 2.Welding        |
| 3、卡箍   | 3.Clamp          |
| 4、螺母   | 4.Nut            |
| 5、螺纹   | 5.Male thread    |
| 6、无菌法兰 | 6.Aseptic flange |
| 7、法兰   | 7.Flange         |



## JZ-F type

Size: 3"-4", DN65-DN100



## 电动角座阀 Electric angle seat valve

## JZ-D type

Size: 1/2"-4", DN10-DN100



## 迷你型角座阀系列 Mini angle seat valve series

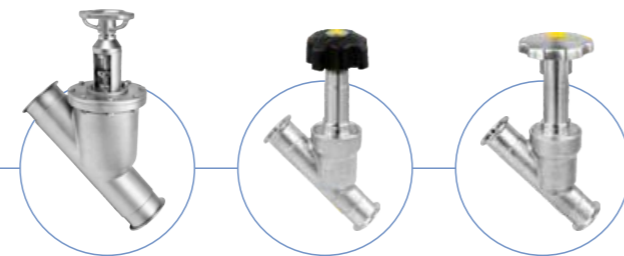
## JZ-Mini type

Size: DN10-DN20, 1/2"-3/4"



## JZ-S type

Size: DN25-DN65, 1"-3"



## 自控角座阀 Self-controlled angle seat valve

## JZ-Q type

Size: 1"-2.5", DN25-DN65

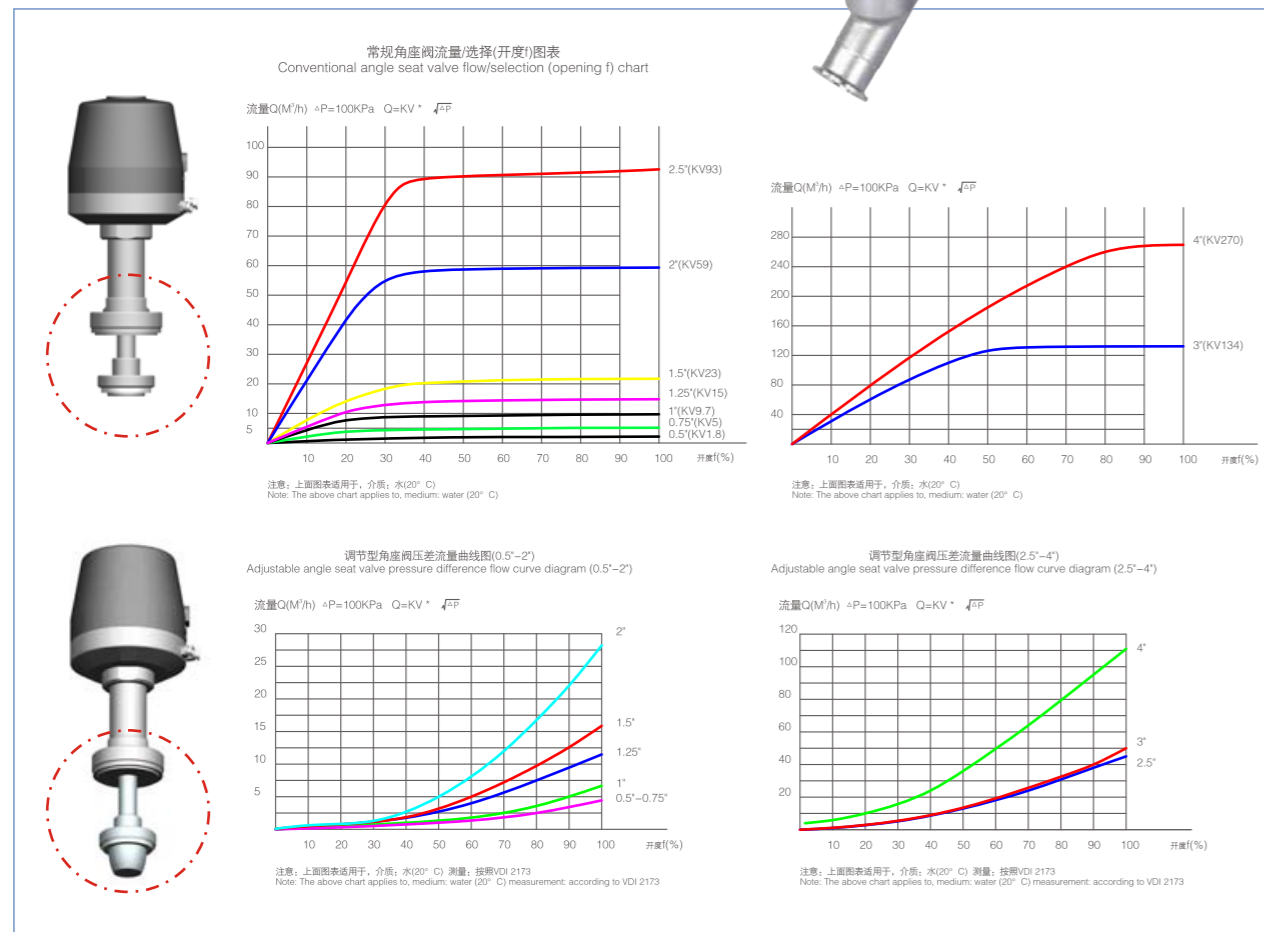


# 比例调节角座阀 Proportional angle seat valve

角座阀曲线特性分为两种设计：1)标准型；2)调节型  
Angle seat valve curve characteristics are divided into two designs:  
1) standard type; 2) adjustable type



标准型阀门定位器—界面  
IL-TOP-1831&1441

# 截止阀 Globe valve

## JZF type

截止阀具有与通径相等的通量，极小流阻，启闭无噪音，无死角，可适用于真空环境。用于开关阀，流量和通径相等，作为调节阀具有较好KV值曲线特性。

The globe valve has the same flux as the diameter, minimal flow resistance, no noise when opening and closing, no dead ends, it suitable for vacuum environments. When used for on-off valve, the flow rate and the diameter are equal; As a regulating valve, it has good KV value curve characteristics.



### 技术特点

- 规格：1/4"-4",DN4-DN100
- 材质：316L/1.4404, ASME BPE 316L 1.4435 NB2 Fe≤0.5%
- 压力：真空~10bar(1.0 MPa)
- 温度：-20℃ 到 +150℃, 取决于密封于材质
- 密封：PTFE/TFM/PEEK
- 连接标准：DIN SMS ISO IDF RJT BS4825 ASME BPE 3A DIN11864 DIN11853
- 连接方式：螺纹、卡箍、焊接、法兰
- 驱动方式：手动、气动、电动
- 光洁度：Ra≤0.6 μm; MP=Ra≤0.3 μm; EP=Ra≤0.3 μm
- 认证：FDA 177.2600; Glass II USP Glass VI Chapter 88; GB4806.11; EG VO/1935-2004; PED/97/23/EC;

### Technical Features

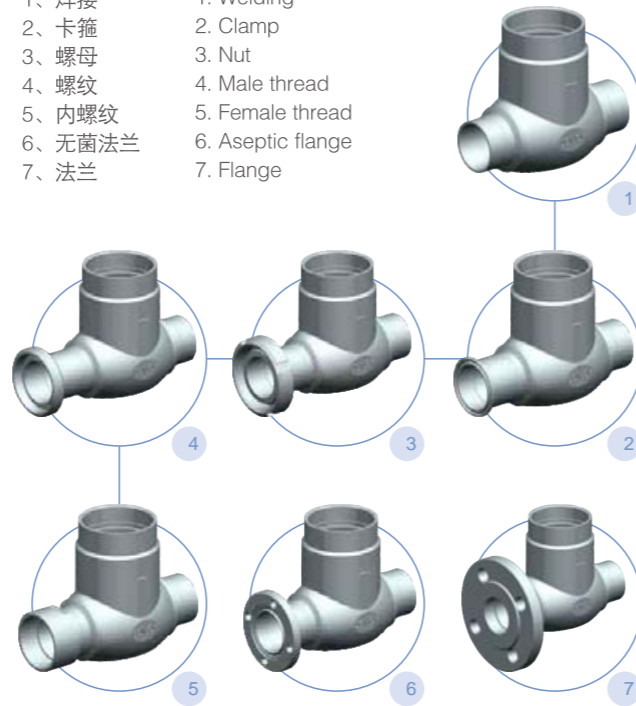
- Specifications: 1/4"-4",DN4-DN100
- Material: 316L/1.4404, ASME BPE 316L 1.4435 NB2 Fe≤0.5%
- Pressure: vacuum to 10bar (1.0 MPa)
- Temperature: -20℃ to +150℃, Depending on the seal material
- Sealing: PTFE/TFM/PEEK
- Connection standard: DIN SMS ISO IDF RJT BS4825 ASME BPE 3A DIN11864 DIN11853
- Connection method: thread, clamp, welding, flange
- Drive mode: manual, pneumatic, electric
- Finish: Ra≤0.6 μm; MP=Ra≤0.3 μm; EP=Ra≤0.3 μm
- Certification: FDA 177.2600; Glass II USP Glass VI Chapter 88; GB4806.11; EG VO/1935-2004; PED/97/23/EC;

# 截止阀 Globe valve



## 不同连接方式 Different Connection Methods

- |        |                   |
|--------|-------------------|
| 1、焊接   | 1. Welding        |
| 2、卡箍   | 2. Clamp          |
| 3、螺母   | 3. Nut            |
| 4、螺纹   | 4. Male thread    |
| 5、内螺纹  | 5. Female thread  |
| 6、无菌法兰 | 6. Aseptic flange |
| 7、法兰   | 7. Flange         |



注意：不同的连接方式适用于所有的截止阀系列  
Note: Different connection methods are applicable to all globe valve series

## JZF-Mini

Size: DN4-DN20, 1/4"-3/4"



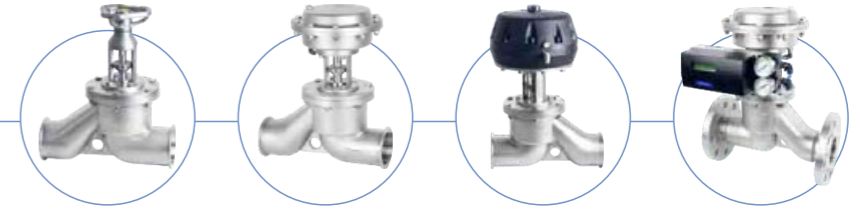
## JZF

Size: 1"-2", DN25-DN50

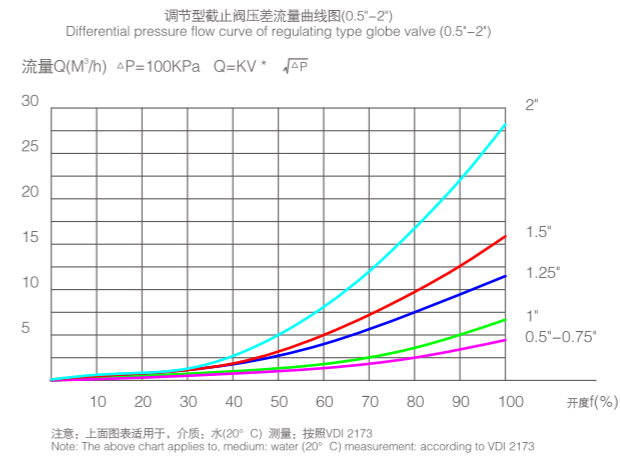


## JZF-F type

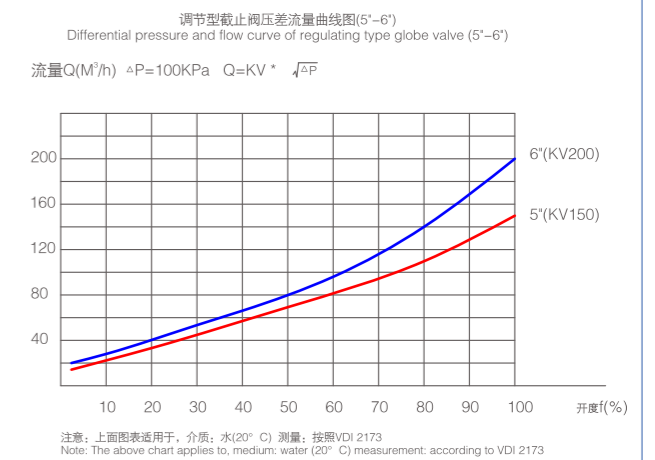
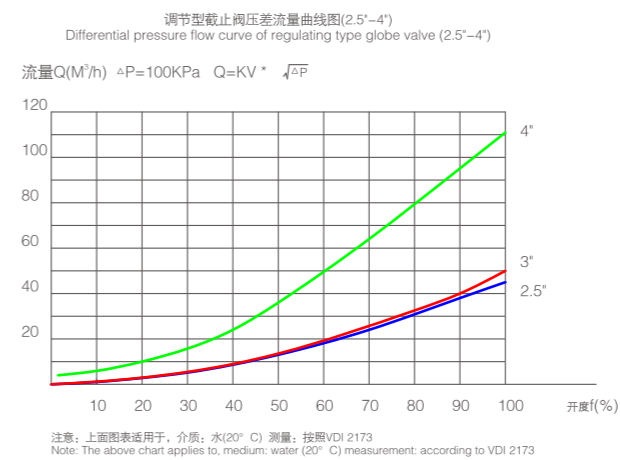
Size: 2.5"-6", DN65-DN150



## 调节型截止阀曲线图 Adjustable globe valve curve graph



注意：曲线特性图主要应用在调节型截止阀  
Note: The curve characteristic diagram is mainly used in regulating type globe valves



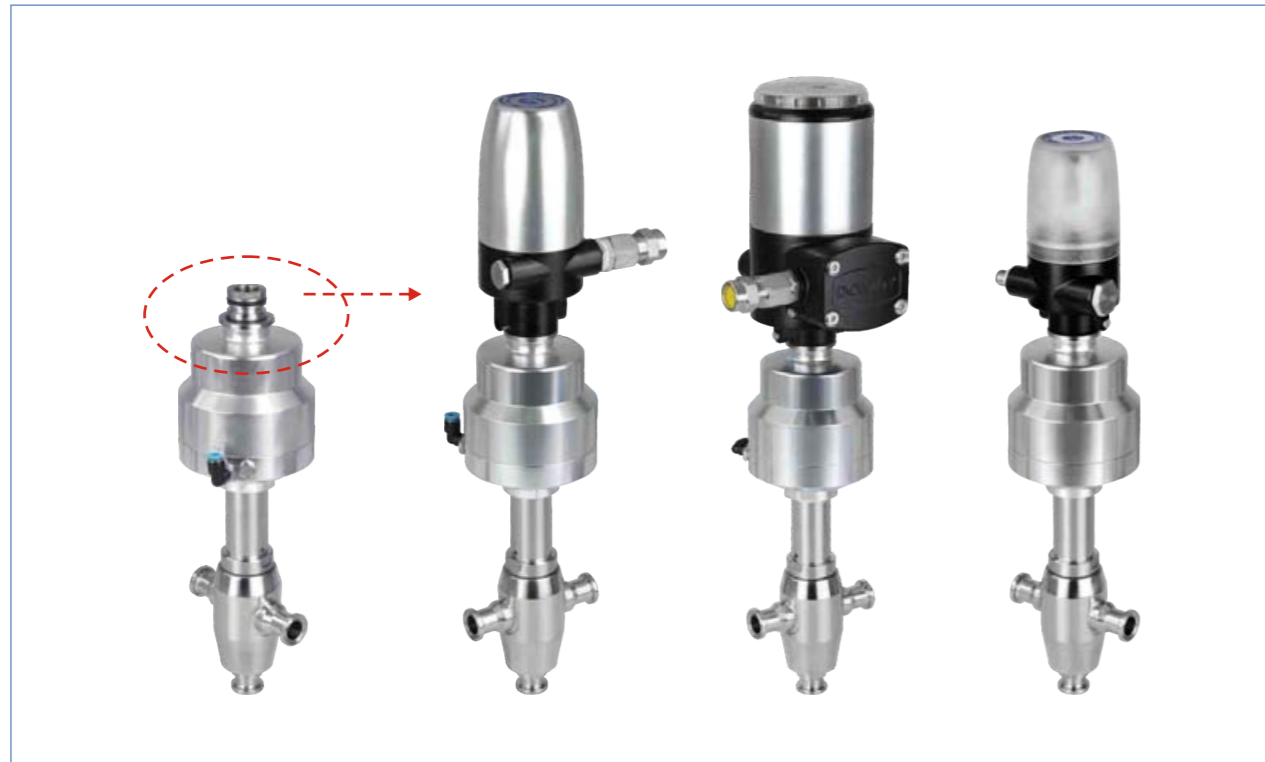
## 三通截止阀 Three-way globe valve



三通截止阀是一款具有换向、比例混合、切断等功能阀门，特别适合应用在两种介质比例混合工艺使用。它与其他三通阀门相比较有着良好曲线特性、更小体积、更高精度。

Three-way globe valve is a valve with reversing, proportional mixing, shut-off and other functions, especially suitable for application in the proportional mixing process of two media. Compared with other 3-way valves, it has good curve characteristics, smaller size and higher precision.

规格: 1/2"-4", DN10-DN100  
 材质: SS304/316L  
 温度: -20°C到150°C  
 压力: 真空-10bar  
 Size: 1/2"-4", DN10-DN100  
 Material: SS304/316L  
 Temperature: -20° C to 150° C  
 Pressure: vacuum - 10 bar

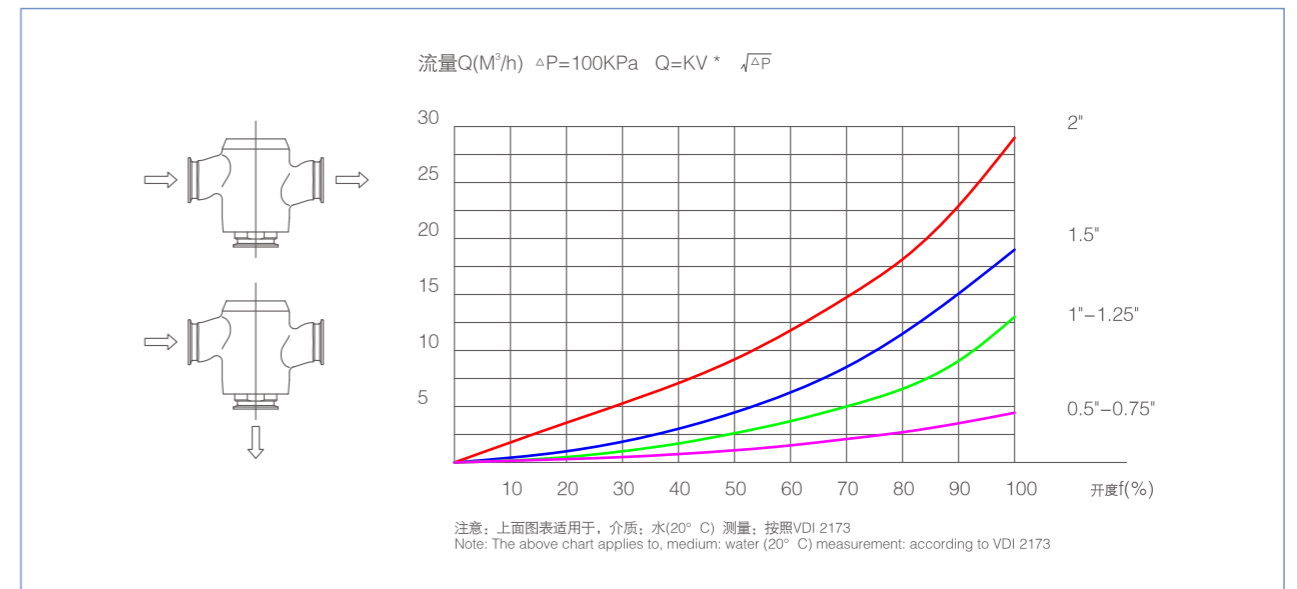


## 三通截止调节阀 Three-way globe control valve

### 阀门工作示意图 Valve working diagram



### 三通截止调节阀曲线图 3 Way adjustable globe valve curve graph



# 罐底阀 Tank bottom valve

## GD type

罐底阀有两种设计阀芯收缩和阀芯伸展式，并且具有非常灵活的阀体组合和各种功能配置，如杀菌式、夹套保温、阻尼缓冲式等。也可安装各种自控如阀门定位器、控制单元、反馈器、位置传感器等。

The tank bottom valve has two designs of valve core contraction and valve core extension, and has a very flexible valve body combination and various functional configurations, such as sterilization type, jacket insulation, damping buffer type, etc. Various automatic controls such as valve positioners, control units, feedback devices, and position sensors can also be installed.



### 技术特点

- 规格: 1/2"-6", DN10-DN150
- 材质: 316L/1.4404, ASME BPE 316L 1.4435 NB2 Fe≤0.5%
- 压力: 真空~10bar(1.0Mpa)
- 温度: -20°C 到+150°C, 取决密封于材质
- 密封: EPDM FKM HNBR PTFE
- 连接标准: DIN SMS ISO IDF RJT BS4825 ASME BPE 3A DIN11864 DIN11853
- 连接方式: 螺纹、卡箍、焊接、法兰
- 驱动方式: 手动、气动、电动
- 光洁度: Ra≤0.6 μm; MP=Ra≤0.3 μm; EP=Ra≤0.3 μm
- 认证: FDA 177.2600; 3A-53-06; Glass II USP Glass VI Chapter 88; GB4806.11; EG VO/1935-2004; PED/97/23/EC。

### Technical Features

- Specifications: 1/2"-6", DN10-DN150
- Material: 316L/1.4404, ASME BPE 316L 1.4435 NB2 Fe≤0.5%
- Pressure: Vacuum to 10bar (1.0 Mpa)
- Temperature: -20°C to +150°C, Depending on the seal material
- Seal: EPDM FKM HNBR PTFE
- Connection standard: DIN SMS ISO IDF RJT BS4825 ASME BPE 3A DIN11864 DIN11853
- Connection method: Thread, clamp, welding, flange
- Drive mode: manual, pneumatic, electric
- Finish: Ra≤0.6 μm; MP=Ra≤0.3 μm; EP=Ra≤0.3 μm
- Certification: FDA 177.2600; 3A-53-06; Glass II USP Glass VI Chapter 88; GB4806.11; EG VO/1935-2004; PED/97/23/EC.

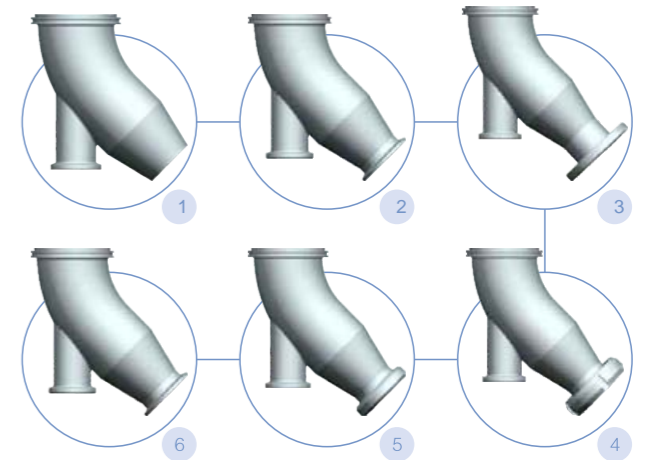
## 非常灵活的阀体组合和连接方式 Very Flexible Valve Body Combination And Connection Method



连接方式适用于: 阀芯收缩罐底阀  
Connection method applicable to: spool shrink tank bottom valve

### 不同连接方式 Different Connection Methods

- |          |        |                        |                 |
|----------|--------|------------------------|-----------------|
| 1、焊接     | 4、螺母   | 1. Welding             | 4. Nut          |
| 2、卡箍(推荐) | 5、螺纹   | 2. Clamp (recommended) | 5. Thread       |
| 3、无菌法兰   | 6、真空卡箍 | 3. Aseptic flange      | 6. Vacuum clamp |

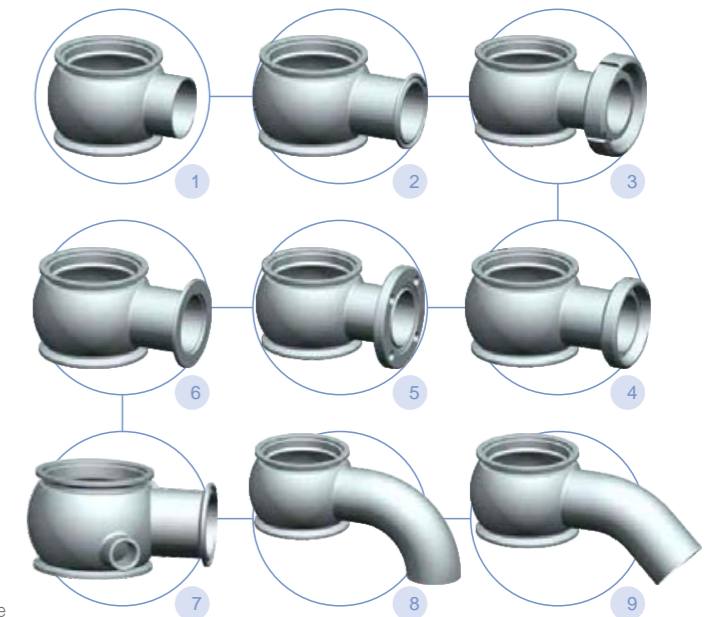


### 不同连接方式 Different Connection Methods

- |          |          |                        |                      |
|----------|----------|------------------------|----------------------|
| 1、焊接     | 6、真空卡箍   | 1. Welding             | 6. Vacuum clamp      |
| 2、卡箍(推荐) | 7、夹套保温   | 2. Clamp (recommended) | 7. Jacket insulation |
| 3、螺母     | 8、弯头 90° | 3. Nut                 | 8. Elbow 90°         |
| 4、螺纹     | 9、弯头 45° | 4. Thread              | 9. Elbow 45°         |
| 5、无菌法兰   |          | 5. Aseptic flange      |                      |



连接方式适用于: 阀芯收缩和阀芯伸展式罐底阀  
Connection method applicable to: spool shrink and spool extension tank bottom valve



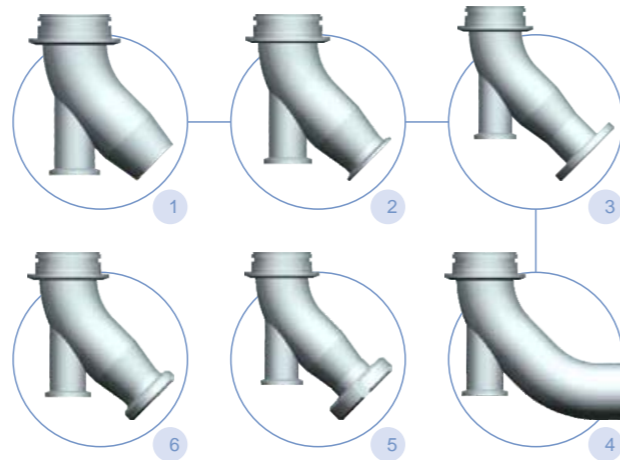
# 罐底阀 Tank bottom valve

## 非常灵活的阀体组合和连接方式 Very Flexible Valve Body Combination And Connection Method



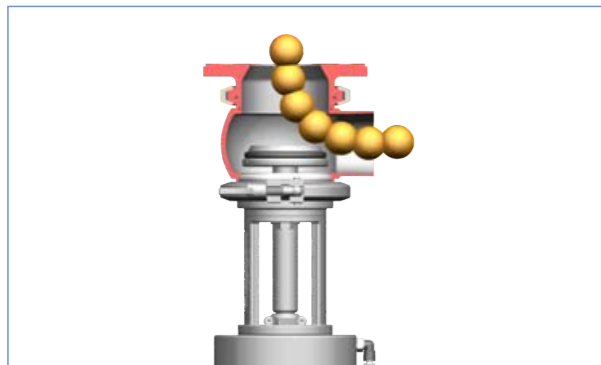
### 不同连接方式 Different Connection Methods

- |          |          |                        |              |
|----------|----------|------------------------|--------------|
| 1、焊接     | 4、弯头 90° | 1. Welding             | 4. Elbow 90° |
| 2、卡箍(推荐) | 5、螺母式    | 2. Clamp (recommended) | 5. Nut type  |
| 3、无菌法兰   | 6、螺纹     | 3. Aseptic flange      | 6. Thread    |



适用于：阀芯伸展式罐底阀  
Applicable to: Spool extension type tank bottom valve

### 阀芯收缩式-L型罐底阀 Spool Shrink-L Type Tank Bottom Valve



最大颗粒通过尺寸 Maximum particle passing size		
规格 Specification		D
DN25	1"	22
DN32	1.1/4"	
DN40	1.5"	26
DN50	2"	
-	2.5"	27
DN65	3"	
DN80	-	32
DN100	4"	74

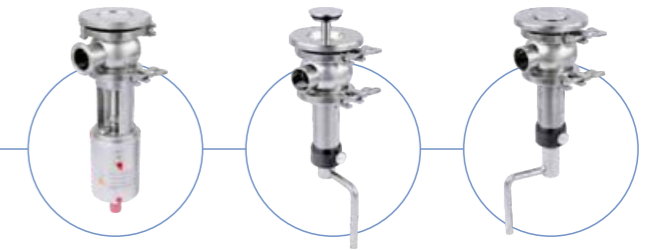
### 阀芯收缩-弯头式罐底阀 Spool Shrink-elbow Type Tank Bottom Valve



最大颗粒通过尺寸 Maximum particle passing size		
规格 Specification		D
DN25	1"	10
DN32	1.1/4"	
DN40	1.5"	20
DN50	2"	
-	2.5"	33
DN65	3"	
DN80	-	

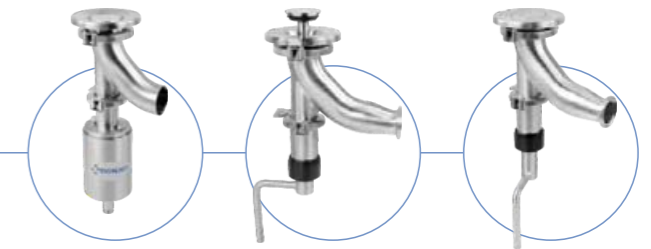
### GD-WL type

阀芯伸展式  
Spool extension type



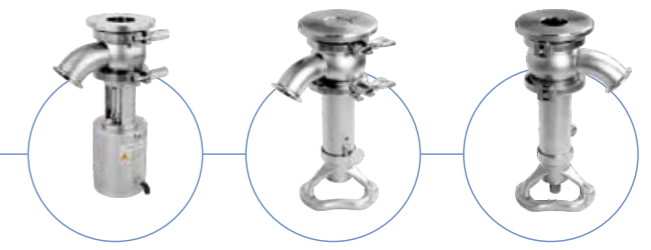
### GD-WW type

阀芯伸展式  
Spool extension type



### GD-NL type

阀芯收缩式  
Spool retractable



### GD-NW type

阀芯收缩式  
Spool retractable

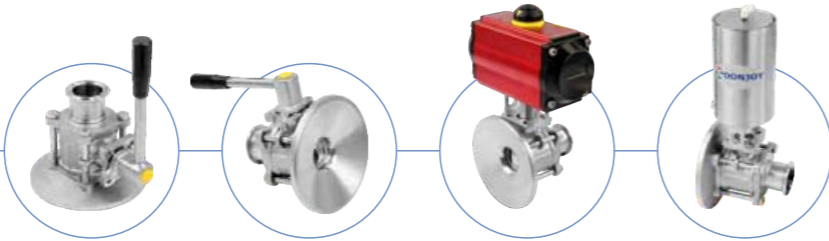


# 罐底阀 Tank bottom valve

## GM-JX type 径向隔膜罐底阀 Radial diaphragm tank bottom valve



## QF-GD type 罐底式球阀 Tank bottom ball valve



### 罐底阀配置各种控制器 Various controllers for tank bottom valve

反馈器、控制单元、阀门定位器、位置传感器  
Feedback, Control unit, Valve positioner, Position sensor

控制器有多种功能且涉及本安防爆或隔爆等，  
具体请查阅有关章节或控制器目录册

The controller has a variety of functions and involves intrinsic safety explosion-proof or flameproof, etc. Please refer to the relevant chapter or controller catalogue for details



# 安全阀 Safety valve

## AQ-YL type



安全阀系列-经过国家特种制造认证的产品设计，每只阀门出厂前都是严格按照国家要求压力整定后出厂。

无滞留、无死角、全不锈钢材料、已成功应用到各种高洁净场合如生物制药、食品饮料、日化、水处理等各种工况。

Safety valve series-product design that has passed the national special manufacturing certification. Before leaving the factory, each valve will be set in strict accordance with the national requirements.

No retention, no dead ends, all stainless steel materials, has been successfully applied to various high-cleaning occasions such as biological pharmacy, food and beverage, daily chemical, water treatment and other working conditions.



### 技术特点

- 规格: 1/2"-4", DN10-DN100
- 材质: 304/1.4301; 316L/1.4404, ASME BPE 316L 1.4435 NB2 Fe≤0.5%
- 压力: 真空~10bar(1.0Mpa)
- 温度: -20°C 到 +150°C, 取决密封于材质
- 密封: EPDM FKM HNBR PTFE
- 连接标准: DIN SMS ISO IDF RJT BS4825 ASME BPE 3A DIN11864 DIN11853
- 连接方式: 螺纹、卡箍、焊接、法兰
- 驱动方式: 手动、气动、电动
- 光洁度: Ra≤0.6 μm; MP=Ra≤0.3 μm; EP=Ra≤0.3 μm
- 认证: FDA 177.2600; 3A-64-00; Glass II USP Glass VI Chapter 88; GB4806.11; EG VO/1935-2004; PED/97/23/EC。

### Technical Features

- Size: 1/2"-4", DN10-DN100
- Material: 304/1.4301; 316L/1.4404, ASME BPE 316L 1.4435 NB2 Fe≤0.5%
- Pressure: vacuum to 10bar (1.0 Mpa)
- Temperature: -20°C to +150°C, Depending on the seal material
- Sealing: EPDM FKM HNBR PTFE
- Connection standard: DIN SMS ISO IDF RJT BS4825 ASME BPE 3A DIN11864 DIN11853
- Connection method: Thread, clamp, welding, flange
- Drive mode: manual, pneumatic, electric
- Finish: Ra≤0.6 μm; MP=Ra≤0.3 μm; EP=Ra≤0.3 μm
- Certification: FDA 177.2600; 3A-64-00; Glass II USP Glass VI Chapter 88; GB4806.11; EG VO/1935-2004; PED/97/23/EC.

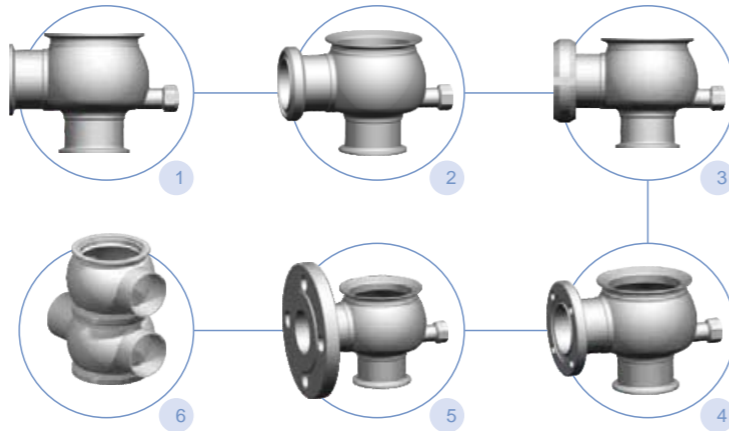
# 安全阀 Safety valve

## 非常灵活的阀体组合和连接方式 Very Flexible Valve Body Combination And Connection Method



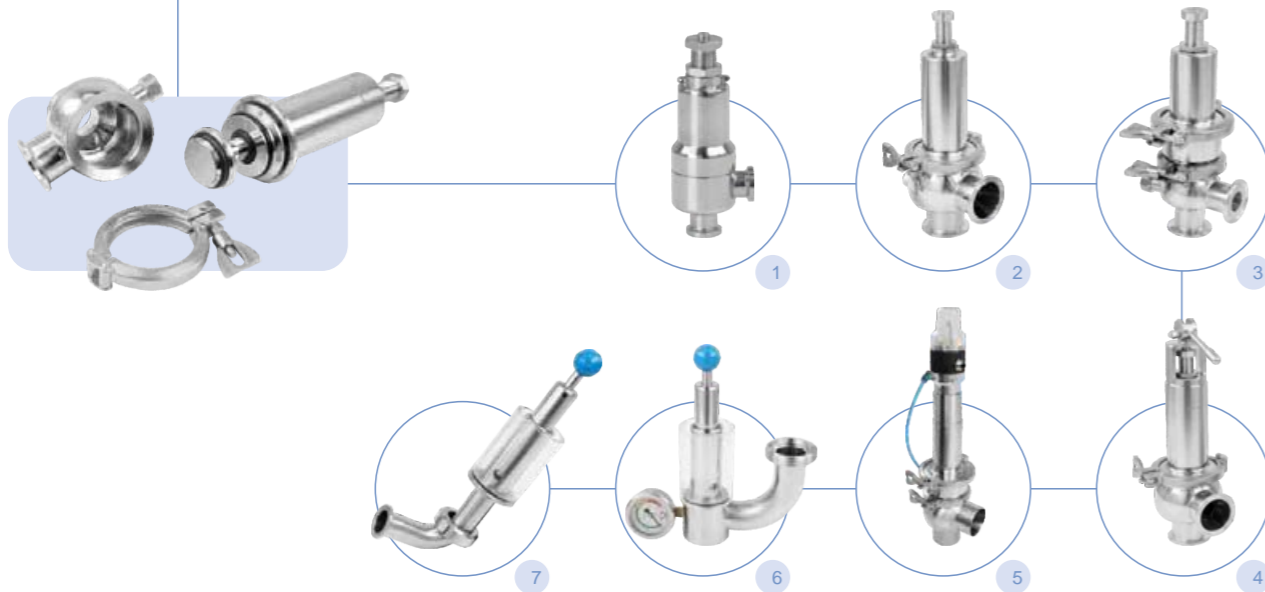
### 不同连接方式 Different Connection Methods

- |       |         |           |                        |
|-------|---------|-----------|------------------------|
| 1. 卡箍 | 4. 无菌法兰 | 1. Clamp  | 4. Aseptic flange      |
| 2. 螺纹 | 5. 法兰   | 2. Thread | 5. Flange              |
| 3. 螺母 | 6. 管路连接 | 3. Nut    | 6. Pipeline connection |



## AQ-YL type

- |               |  |
|---------------|--|
| 1. 迷你安全阀      | 1. Mini safety valve                     |
| 2. 标准型安全阀     | 2. Standard safety valve                 |
| 3. 气动安全阀      | 3. Pneumatic safety valve                |
| 4. 手动快排式安全阀   | 4. Manual quick-discharge safety valve   |
| 5. 气动安全阀+控制单元 | 5. Pneumatic safety valve + control unit |
| 6. 视窗式安全阀     | 6. Window type safety valve              |
| 7. 视窗式安全阀     | 7. Window type safety valve              |



# 恒压阀 Constant pressure valve

## AK-HY type



恒压阀分为进口管路压力稳定和出口管路压力稳定两种设计。我们设计严格按照美国-3-A-64-00的恒压阀具有无死角、无滞留、KV值曲线特性较好。

Constant pressure valves are divided into two designs: stable inlet pipeline pressure and stable outlet pipeline pressure. Our constant pressure valve designed strictly in accordance with the United States -3-A-64-00 has no dead ends, no retention, and better KV curve characteristics.



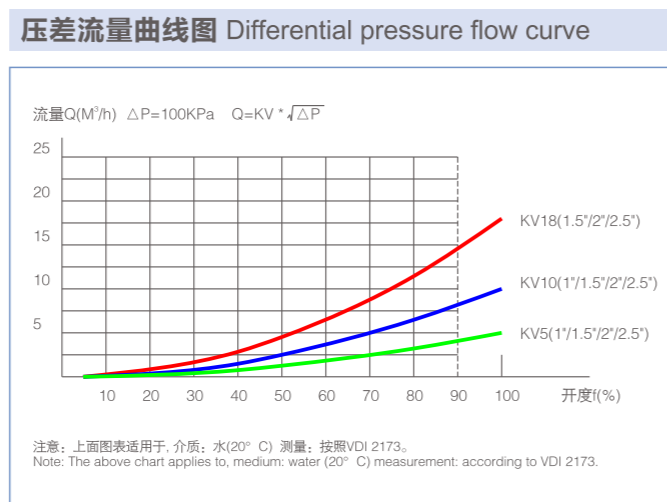
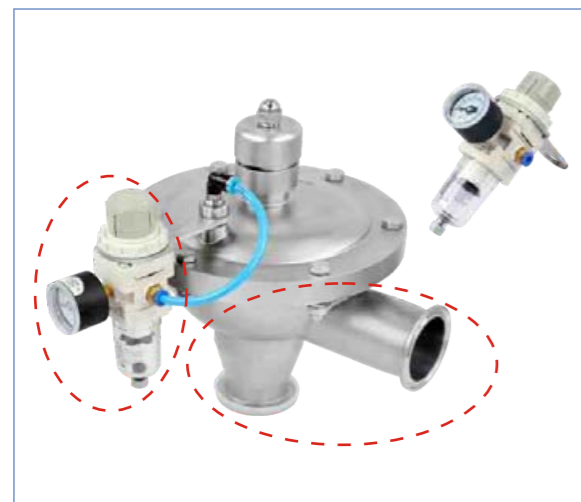
### 技术特点

- 规格: 1/2"-3", DN10-DN65
- 材质: 316L/1.4404, ASME BPE 316L 1.4435 NB2 Fe≤0.5%
- 压力: 真空~10bar(1.0 Mpa)
- 温度: -20°C 到 +150°C, 取决密封于材质
- 密封: EPDM+PTFE
- 连接标准: DIN SMS ISO IDF RJT BS4825 ASME BPE 3A DIN11864 DIN11853
- 连接方式: 螺纹、卡箍、焊接、法兰
- 光洁度: Ra≤0.6 μm; MP=Ra≤0.3 μm; EP=Ra≤0.3 μm
- 认证: FDA 177.2600; 3A-64-00; Glass II USP Glass VI Chapter 88; GB4806.11; EG VO/1935-2004; PED/97/23/EC;

### Technical Features

- Specification: 1/2"-3", DN10-DN65
- Material: 316L/1.4404, ASME BPE 316L 1.4435 NB2 Fe≤0.5%
- Pressure: Vacuum to 10bar (1.0 Mpa)
- Temperature: -20°C to +150°C, Depending on the seal material
- Seal: EPDM+PTFE
- Connection standard: DIN SMS ISO IDF RJT BS4825 ASME BPE 3A DIN11864 DIN11853
- Connection method: Thread, clamp, welding, flange
- Finish: Ra≤0.6 μm; MP=Ra≤0.3 μm; EP=Ra≤0.3 μm
- Certification: FDA 177.2600; 3A-64-00; Glass II USP Glass VI Chapter 88; GB4806.11; EG VO/1935-2004; PED/97/23/EC.

# 恒压阀 Constant pressure valve



## 非常灵活的阀体组合和连接方式 Very Flexible Valve Body Combination And Connection Method

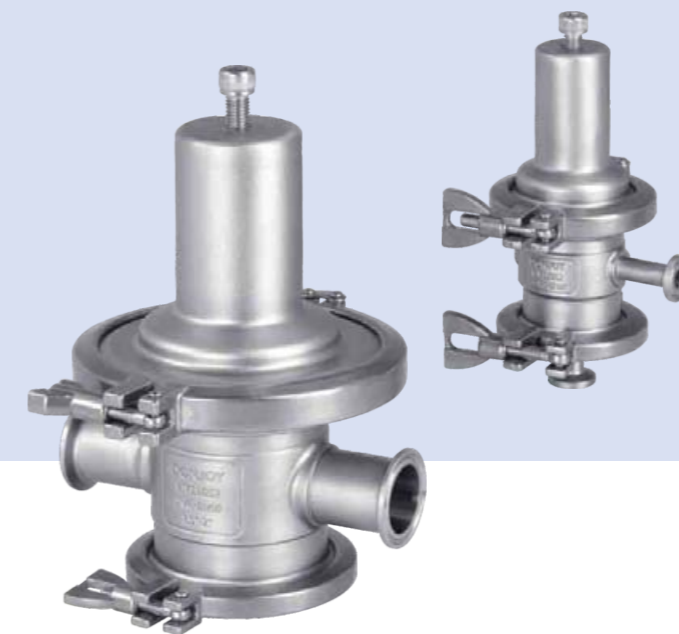
### 不同连接方式 Different Connection Methods

- 1、焊接 2、卡箍 3、螺纹 4、螺母 5、无菌法兰 6、法兰  
1. Welding 2. Clamp 3. Thread 4. Nut 5. Sterile flange 6. Flange



# 减压阀 Pressure reducing valve

## AK-JY type



减压阀有两种设计T型和L型，压力差值0.5bar到8bar，最大压力 10bar。我们设计严格按照美国-3-A-64-00的减压阀具有无死角、无滞留、KV值曲线特性较好。

The pressure reducing valve has two designs, T type and L type, with a pressure difference of 0.5 bar to 8 bar, and a maximum pressure of 10 bar. Our Pressure reducing valve designed strictly in accordance with the United States -3-A-64-00 has no dead ends, no retention, and better KV curve characteristics.



### 技术特点

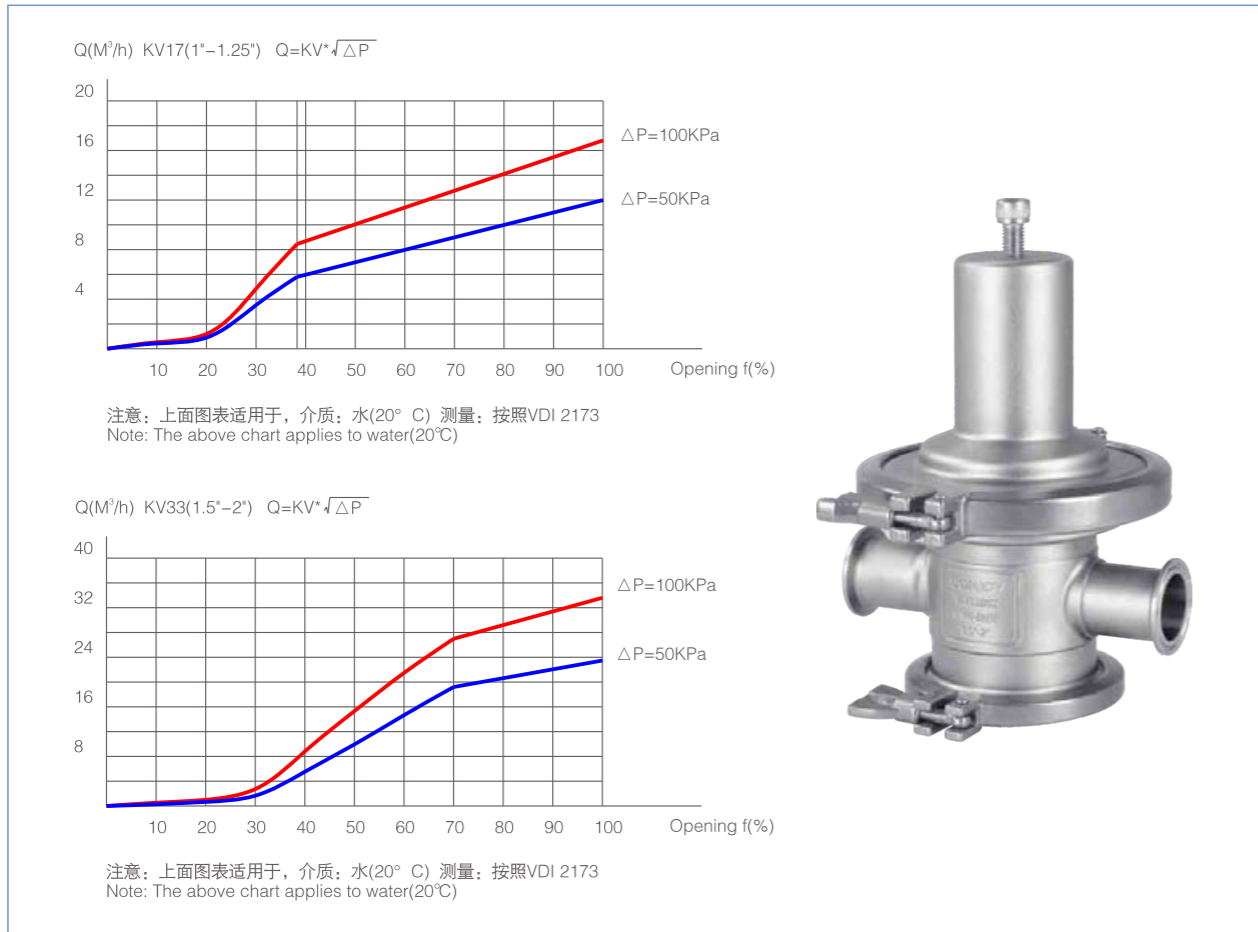
- 规格：1/2"-3", DN10-DN65
- 材质：316L/1.4404, ASME BPE 316L 1.4435 NB2 Fe≤0.5%
- 压力：10bar(1.0 MPa)
- 温度：-20°C 到+150°C, 取决密封于材质
- 密封：EPDM FKM HNBR PTFE
- 连接标准：DIN SMS ISO IDF RJT BS4825 ASME BPE 3A DIN11864 DIN11853
- 连接方式：螺纹、卡箍、焊接、法兰
- 光洁度：Ra≤0.6 μm; MP=Ra≤0.3 μm; EP=Ra≤0.3 μm
- 认证：FDA 177.2600; 3A-64-00; Glass II USP Glass VI Chapter 88; GB4806.11; EG VO/1935-2004; PED/97/23/EC。

### Technical Features

- Specifications: 1/2"-3", DN10-DN65
- Material: 316L/1.4404, ASME BPE 316L 1.4435 NB2 Fe≤0.5%
- Pressure: 10bar (1.0 MPa)
- Temperature: -20°C to +150°C, Depending on the seal material
- Sealing: EPDM FKM HNBR PTFE
- Connection standard: DIN SMS ISO IDF RJT BS4825 ASME BPE 3A DIN11864 DIN11853
- Connection method: thread, clamp, welding, flange
- Finish: Ra≤0.6 μm; MP=Ra≤0.3 μm; EP=Ra≤0.3 μm
- Certification: FDA 177.2600; 3A-64-00; Glass II USP Glass VI Chapter 88; GB4806.11; EG VO/1935-2004; PED/97/23/EC.

# 减压阀 Pressure reducing valve

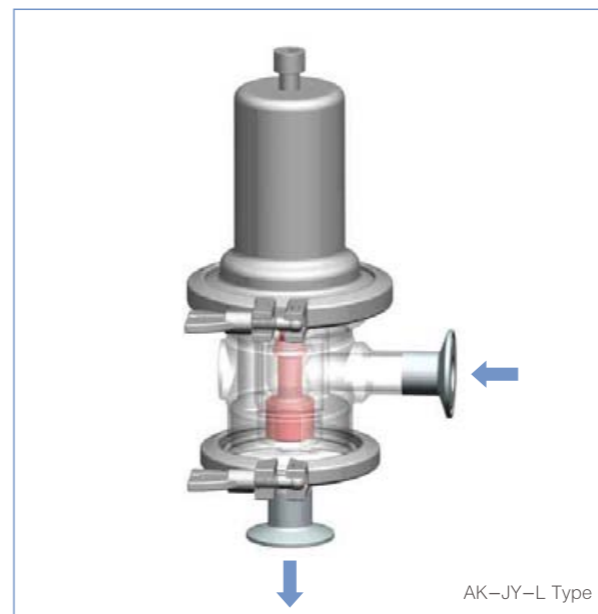
减压阀流量曲线图 Pressure reducing valve flow graph



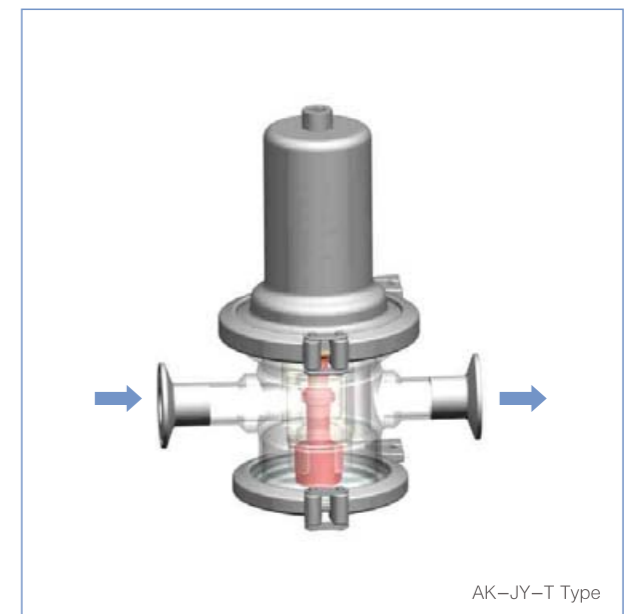
非常灵活的阀体组合和连接方式 Very Flexible Valve Body Combination And Connection Method



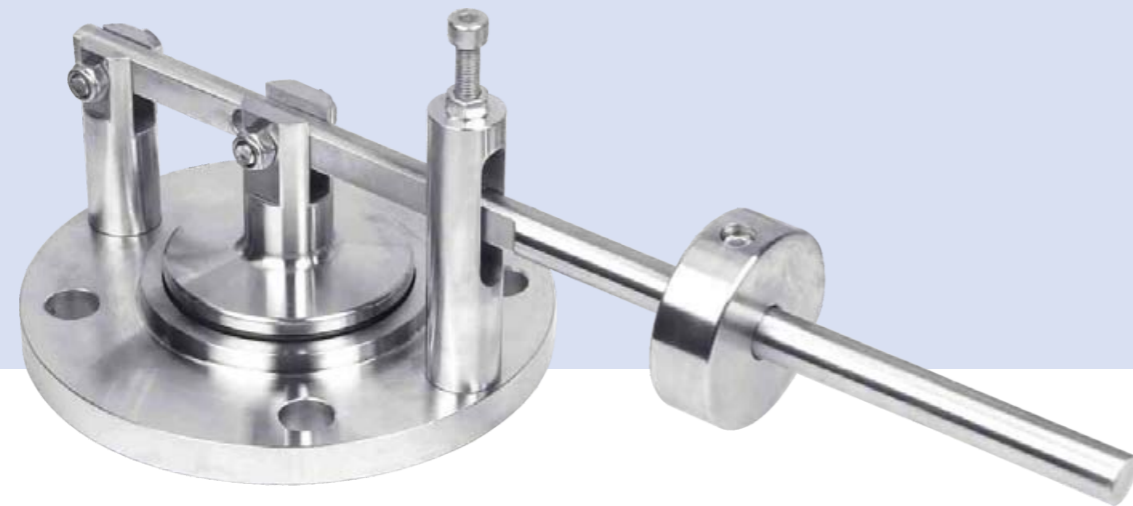
L型减压阀 L type pressure reducing valve



T型减压阀 T type pressure reducing valve



排气阀/防止真空阀  
Exhaust valve, Prevent vacuum valve



排气阀/防止真空阀  
Exhaust valve, Prevent vacuum valve



DJ-AK-PQG type

杠杆式排气阀  
Lever type exhaust valve

SIZE: DN25-DN100; 1"-4"  
排气压力Exhaust pressure: 0.5-3bar  
工作温度Working temperature: 130°C  
密封Sealing: EPDM、FKM  
材质Material: 304/1.4301; 316L/1.4404



DJ-AK-PQF type

浮球式排气阀  
Float type exhaust valve

浮球排气阀是一款利用  
浮球密度 < 液体的密度，而产生的排气和关闭。  
The float exhaust valve is a  
The float density < the density of the liquid,  
while the exhaust gas is generated and closed.

SIZE: DN25-DN40; 1"-1.5"  
工作压力Working pressure: 5bar  
材质Material: 316L/1.4404  
工作温度Working temperature: 80°C PP; 120°C EPDM  
材质Material: 316L/1.4404



DJ-AK-GZK type

杠杆式防止真空阀  
Lever type anti-vacuum valve

SIZE: DN25-DN100; 1"-4"  
真空压力Vacuum pressure: -0.5 到 -0.9bar  
工作温度Working temperature: 130°C  
密封Sealing: EPDM、FKM  
材质Material: 304/1.4301; 316L/1.4404



DJ-AK-HXF type

呼吸阀  
Breathing valve

呼吸阀是一款可以破真空和压力过载排气的多功能阀门。  
可排气、破真空、体积小、简单、经济、高效。  
The breathing valve is a multifunctional valve that  
can break vacuum and exhaust pressure from overload.  
Can exhaust, break vacuum, small size, simple,  
economical and efficient.

SIZE: DN25-DN100; 1"-4"  
真空压力Vacuum pressure: -0.5 到 -0.9bar  
排气压力Exhaust pressure: 0.5-2bar  
工作温度Working temperature: 130°C  
密封Sealing: EPDM、FKM、Silicon  
材质Material: 304/1.4301; 316L/1.4404



# 止回阀 Check valve

## ZHF type



止回阀具有与通径相等的通量，极小流阻、启闭无噪音、无死角、零压力无泄漏、可适用于真空环境、设计款型多样。

The check valve has the same flux as the passage, minimal flow resistance, no noise on opening and closing, no dead angle, zero pressure and no leakage, suitable for vacuum environments, and various designs.

### 技术特点

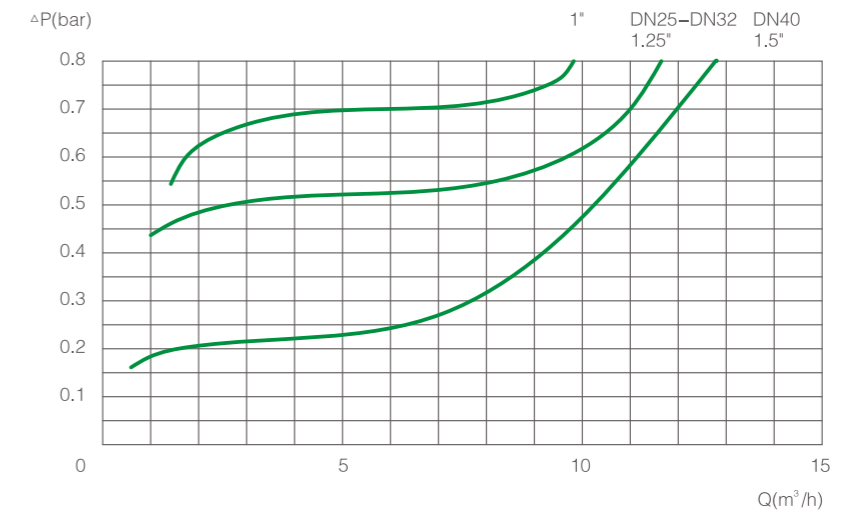
- 规格：1/2"-12", DN10-DN300
- 材质：316L/1.4404, ASME BPE 316L 1.4435 NB2 Fe≤0.5%
- 压力：真空~10bar(1.0 Mpa)
- 温度：-20°C 到 +150°C, 取决密封于材质
- 密封：EPDM FKM HNBR PTFE
- 连接标准：DIN SMS ISO IDF RJT BS4825 ASME BPE 3A DIN11864 DIN11853
- 连接方式：螺纹、卡箍、焊接、法兰
- 驱动方式：手动、气动、电动
- 光洁度：Ra≤0.6 μm; MP=Ra≤0.3 μm; EP=Ra≤0.3 μm
- 认证：FDA 177.2600; Glass II USP Glass VI Chapter 88; GB4806.11; EG VO/1935-2004; PED/97/23/EC。

### Technical Features

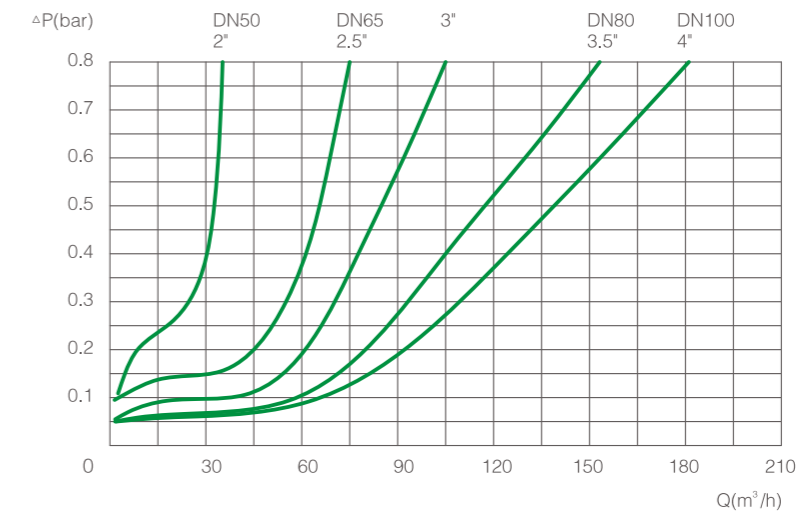
- Specifications: 1/2"-6", DN10-DN150
- Material: 316L/1.4404, ASME BPE 316L 1.4435 NB2 Fe≤0.5%
- Pressure: vacuum to 10bar (1.0 Mpa)
- Temperature: -20°C to +150°C, Depending on the seal material
- Sealing: EPDM FKM HNBR PTFE
- Connection standard: DIN SMS ISO IDF RJT BS4825 ASME BPE 3A DIN11864 DIN11853
- Connection method: Thread, clamp, welding, flange
- Drive mode: manual, pneumatic, electric
- Finish: Ra≤0.6 μm; MP=Ra≤0.3 μm; EP=Ra≤0.3 μm
- Certification: FDA 177.2600; Glass II USP Glass VI Chapter 88; GB4806.11; EG VO/1935-2004; PED/97/23/EC.

## 止回阀流量曲线图 Flow Chart Of Check Valve

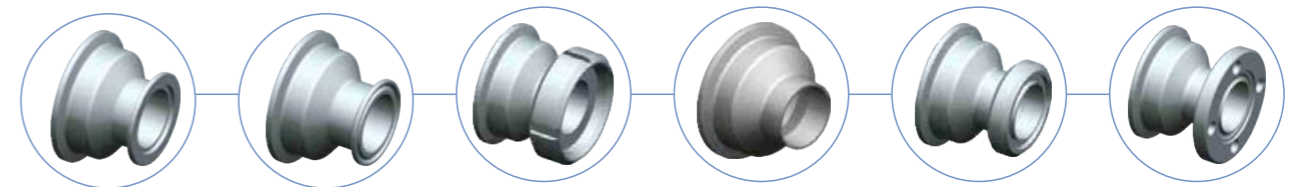
止回阀曲线图(1"-DN40) Check valve curve



止回阀曲线图(2"-DN100) Check valve curve



## 非常灵活的阀体组合和连接方式 Very Flexible Valve Body Combination And Connection Method



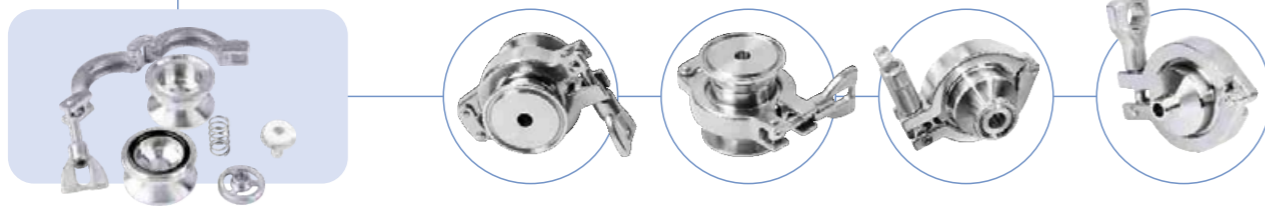
注意：接口适用于所有系列止回阀 Note: The interface is suitable for all series of check valves

# 止回阀 Check valve

## 迷你型止回阀 Mini check valve

ZHF-Mini type

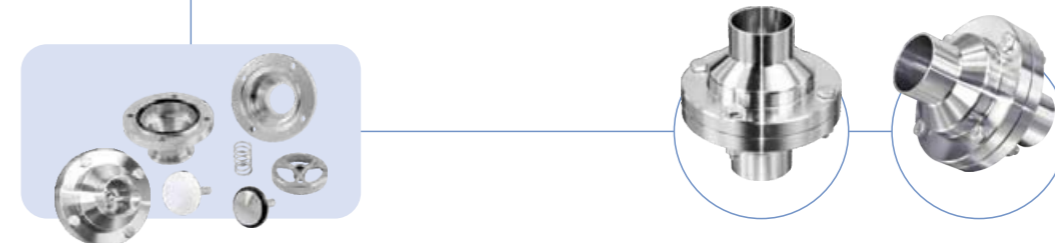
SIZE: DN4-DN20, 1/4"-3/4"  
密封: PTFE



## 中间法兰式止回阀 Intermediate flange check valve

ZHF-ZF type

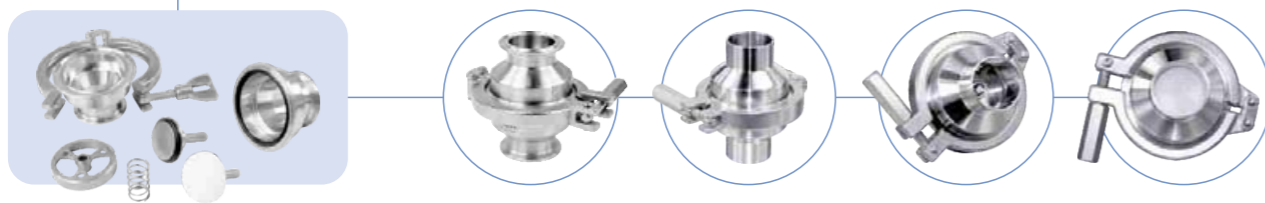
SIZE: DN25-DN100, 1"-4"  
密封: EPDM FKM Silicon HNBR PTFE



## 中间卡箍式止回阀 Intermediate clamp check valve

ZHF-ZK type

SIZE: DN25-DN100, 1"-4"  
密封: EPDM FKM Silicon HNBR PTFE



## 中间卡箍式止回阀-09款 Intermediate clamp check valve -09

ZHF-ZK09 type

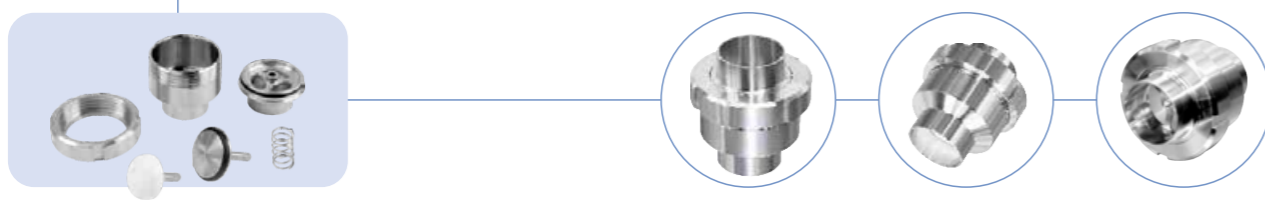
SIZE: DN25-DN100, 1"-4"



## 中间螺母止回阀 Intermediate nut check valve

ZHF-ZL type

SIZE: DN25-DN100, 1"-4"  
密封: EPDM FKM Silicon HNBR PTFE



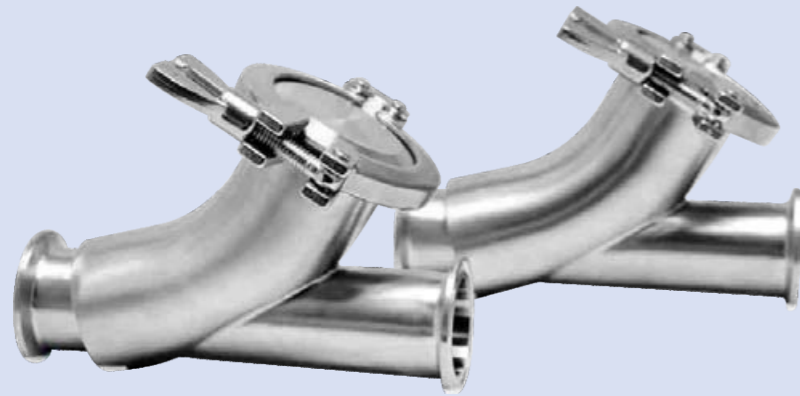
## 三片式止回阀 Three-piece check valve

ZHF-SP type

SIZE: DN125-DN300, 5"-12"



## 止回阀 Check valve

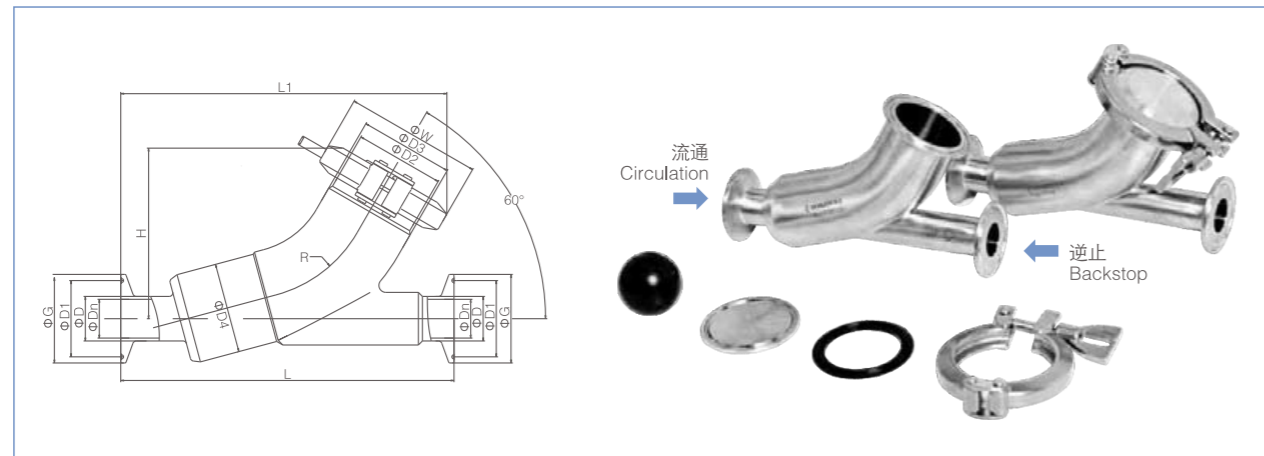
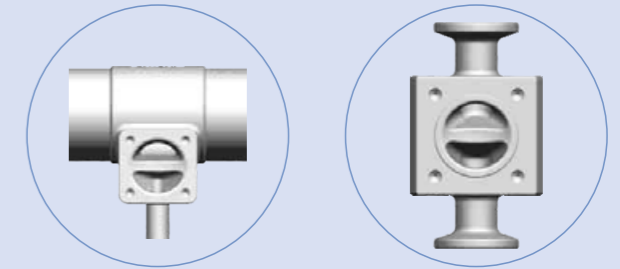


Y型止回阀是一款全口径、无阻流、水平、垂直安装无滞留、无噪音止回阀。  
规格：1"-4"，DN25-DN100  
材质：SS104/316L  
浮球：EPDM/SILICON/NBR/TPFE  
压力：100bar  
温度：-20°C到150°C

Y-type Check valve is a full diameter, open flow, horizontal and vertical installation of no retention, no noise check valve.  
Specification: 1"-4", DN25-DN100  
Material: SS104/316L  
Float: EPDM/SILICON/NBR/TPFE  
Pressure: 100bar  
Temperature: -20°C to 150 °C

## 灌装阀 Filling valve

### 流量切换式隔膜灌装阀 Flow switching diaphragm filling valve

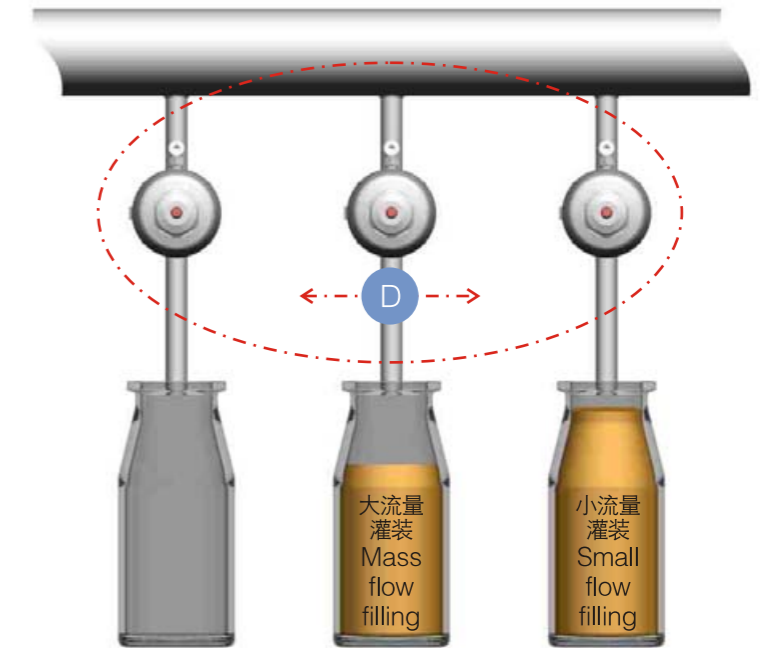


#### INCH

SIZE	D	Dn	D1	D2	D3	D4	W	G	L	L1	H	R
1"	25.4	22.1	43.5	50.8	53.5	51.5	78	50.5	200	185.9	97.3	76.2
1.5"	38.1	34.8	43.5	50.8	53.5	51.5	78	50.5	180	165.9	90.9	76.2
2"	50.8	47.5	56.5	76.2	80	76.2	103	64	250	235.1	132.2	114.3
2.5"	63.5	59.5	70.5	101.6	104	101.6	136	77.5	330	310	164.7	152.4
3"	76.2	72.2	83.5	101.6	104	101.6	136	91	310	285	158.4	152.4

是一款流量可切换、可调节、无菌、无死角、无滞留的隔膜式灌装阀。  
规格：1/4"-3/4"，DN4-DN15  
气缸直径 (D)：38 和 52mm  
压力：≤ 3bar  
材质：304/1.4301, 316L/1.4404  
温度：-20°C~130°C  
膜片：EPDM/FKM/ EPDM+PTFE  
寿命：≥ 1000万次  
动作频率：≥ 5次/S  
阀体结构：直通、三通

It is a diaphragm-type filling valve with flow switchable, adjustable, sterile, no dead ends, and no retention.  
Specification: 1/4"-3/4", DN4-DN15  
Cylinder diameter (D): 38 and 52mm  
Pressure: ≤ 3bar  
Material: 304/1.4301, 316L/1.4404  
Temperature: -20°C~130°C  
Diaphragm: EPDM/FKM/ EPDM+PTFE  
Life: ≥ 10 million times  
Action frequency: ≥ 5 times/S  
Valve body structure: 2-way, three-way



一个阀门可实现瞬间切换流量灌装  
One valve can switch flow filling instantly

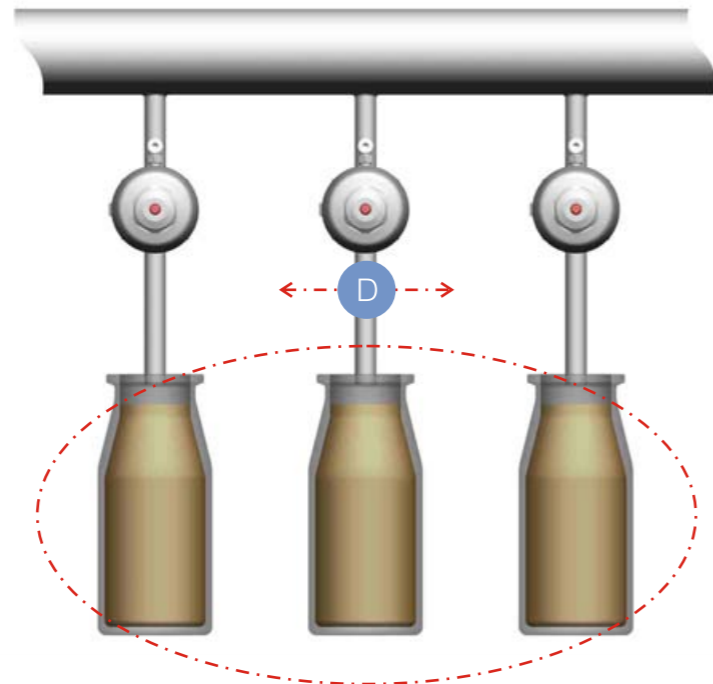
# 灌装阀 Filling valve

## 隔膜式灌装阀 Diaphragm type filling valve



是一款无滞留、无死角、无菌型灌装阀，它具有非常高的动作频率。  
规格：1/4"-3/4"，DN4-DN15  
气缸直径 (D)：38 和 52mm  
材质：304/1.4301,316L/1.4404  
温度：-20°C~130°C  
膜片：EPDM/FKM/ EPDM+PTFE  
寿命：≥ 1000万次  
动作频率：≥ 6次/S  
阀体结构：直通、三通

It is a non-retention, no dead angle, aseptic filling valve. It has a very high operating frequency.  
Specification: 1/4"-3/4", DN4-DN15  
Cylinder diameter (D): 38 and 52mm  
Material: 304/1.4301, 316L/1.4404  
Temperature: -20°C~130°C  
Diaphragm: EPDM/FKM/ EPDM+PTFE  
Life: ≥ 10 million times  
Action frequency: ≥ 6 times/S  
Valve body structure: 2-way, three-way

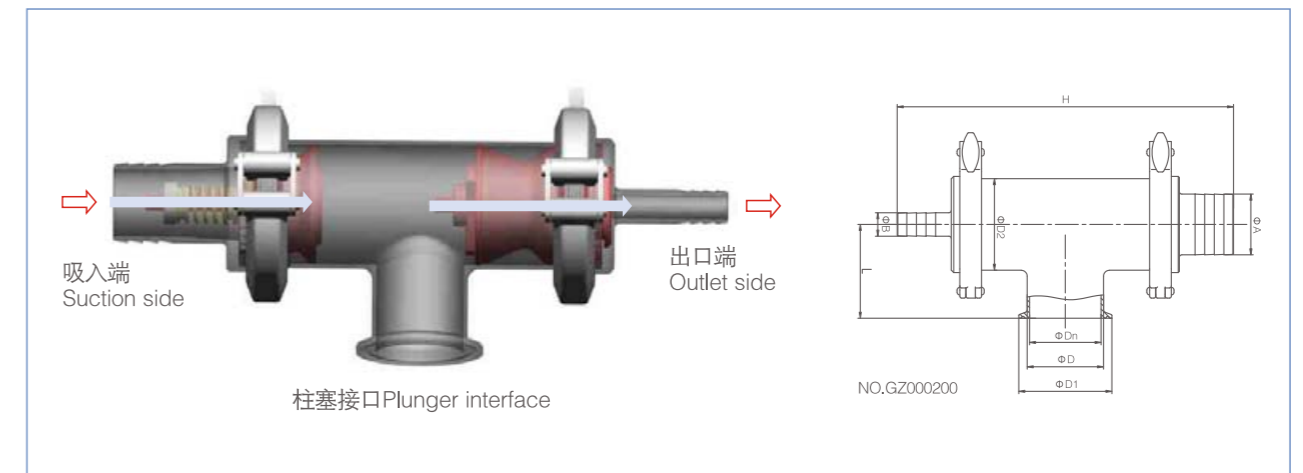


## 柱塞式灌装阀 Plunger type filling valve



是一款利用柱塞产生压力和负压从而达到灌装的一款阀门，它非常适合和广泛的应用在各种食品、饮料、果汁等各种带有粘度的介质灌装设备系统中。  
规格：1"-4"，DN25-DN100  
压力：≤ 10bar  
温度：-10°C~130°C  
材质：304/1.4301,316L/1.4404

It is a valve that uses the plunger to generate pressure and negative pressure to achieve filling. It is very suitable and widely used in various foods, beverages, juices, etc. A kind of medium filling equipment system with viscosity.  
Specification: 1"-4", DN25-DN100  
Pressure: ≤ 10bar  
Temperature: -10°C~130°C  
Material: 304/1.4301, 316L/1.4404



### 工作原理 Operating principle

柱塞收缩时产生负压。迫使吸入口单向阀被打开，出口单向阀关闭，液体被真空吸入到阀腔内。柱塞伸张时液体压力增高，迫使单向阀打开，吸入口单向阀关闭，液体也随之被输送。

Plunger contraction produces negative pressure that open inlet one-way valve and close outlet one-way valve to suck liquid into valve chamber by vacuum. Liquid pressure increases when the plunger extended that open outlet one-way valve and close inlet one-way valve to transport liquid from valve.

SIZE	Dn	D	D1	D2	A	B	H	L
1.5"	35	38	50.5	51	38	19.5	244	60
2"	48	51	64	51	38	19.5	244	60
2.5"	59.5	63.5	77.5	63.5	50.8	19.5	280	78
3"	72.2	76.2	91	76.2	50.8	19.5	280	78

# 洗手阀 Hand washing valve

## 红外感应开关阀 Infrared Sensor Switch Valve

该阀门典型应用在洁净区，特别是用在禁止直接用手接触水龙头一种感应型阀门，该阀门利用红外线光电感应人体后开启阀门，未感应到人体的时阀门自动关闭。

This valve is a kind of sensor valve, used at clean areas, especially prohibiting hand to contact with faucet directly. direct hand contact with the faucet. The valve uses infrared photoelectric to sense the human body and then opens the valve. If the human body is not sensed, the valve automatically closes.



- 阀体材质: 316L SUS 316L
- 密封材质: FKM EPDM
- 工作温度:  $\leq 80^{\circ}\text{C}$ , 也可根据用户需求定义
- 工作压力: 3bar
- 感应距离: 0-3M, 可调整
- 供电: AC220V/110V, DC24V
- 接口方式: 卡箍、螺纹、焊接、螺母等
- 防护等级: IP67
- Valve body material: 316L SUS 316L
- Sealing material: FKM EPDM
- Working temperature:  $\leq 80^{\circ}\text{C}$ , can also be defined according to user requirements
- Working pressure: 3bar
- Induction distance: 0-3M, adjustable
- Power supply: AC220V/110V, DC24V
- Interface mode: clamp, thread, welding, nut, etc.
- Protection level: Ip67

# 取样阀 Sampling valve

## DJ-QY type

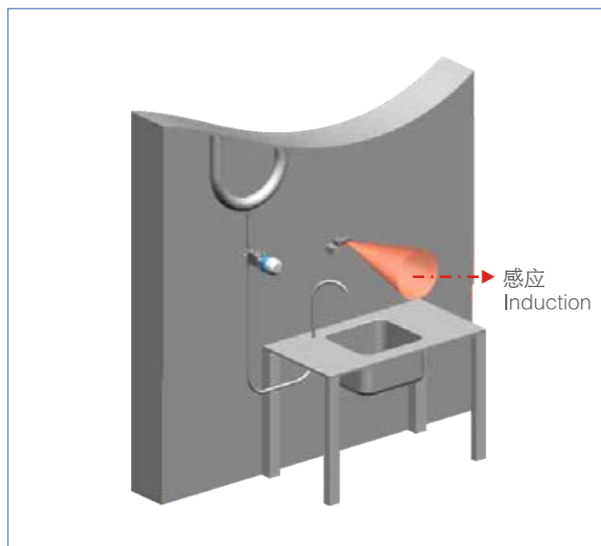


取样阀严格按照美国3-A标准其包含无菌取样阀、无滞留取样阀、酸奶取样阀等各种设计  
阀体材质: 316L/1.4404, ASME BPE 316L  
密封材质: EPDM FKM PTFE

The sampling valve strictly complies with the American 3-A standard, which includes various designs such as aseptic sampling valve, non-retention sampling valve, yogurt sampling valve, etc.  
Body material: 316L/1.4404, ASME BPE 316L  
Sealing material: EPDM FKM PTFE



### 典型应用(1) Typical Application



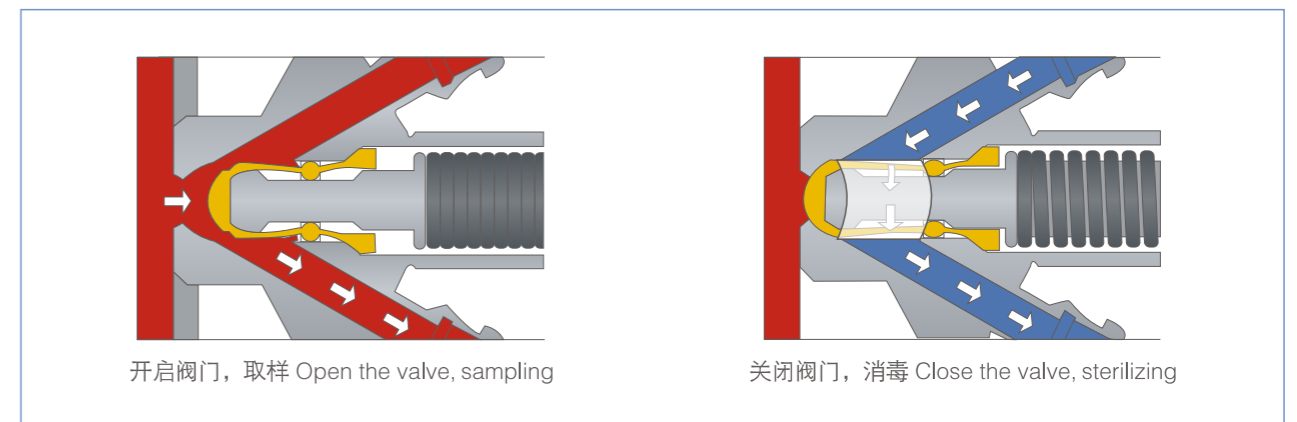
1. 阀门+弯头出口 1. Valve + elbow outlet
2. 红外光电 2. Infrared photoelectric

### 典型应用(2) Typical Application



1. 阀门+直管出口 1. Valve + straight pipe outlet
2. 红外光电 2. Infrared photoelectric

### 工作原理图 Working principle diagram



# 取样阀 Sampling valve

## 无菌取样阀 Aseptic sampling valve

### DJ-QY-WJ type

DJ-QY-WJ-FW 自复位无菌取样阀  
DJ-QY-WJ-QD 气动无菌取样阀  
DJ-QY-WJ-GG 杠杆无菌取样阀

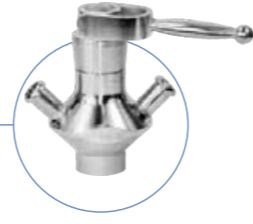
DJ-QY-WJ-FW Self-resetting aseptic sampling valve  
DJ-QY-WJ-QD Pneumatic aseptic sampling valve  
DJ-QY-WJ-GG Lever aseptic sampling valve



DJ-QY-WJ-FW



DJ-QY-WJ-QD



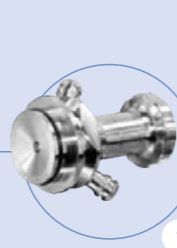
DJ-QY-WJ-GG

1. 嵌入式卡箍无菌取样阀  
2. 嵌入式焊接无菌取样阀

1. Embedded clamp aseptic sampling valve  
2. Embedded welding aseptic sampling valve



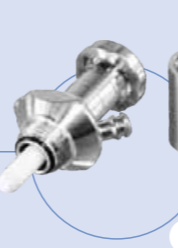
1



1



2



2

3. 管路连接无菌取样阀  
4. 单口无菌取样阀  
5. 管路连接无菌取样阀

3. Pipeline connection aseptic sampling valve  
4. Single port aseptic sampling valve  
5. Pipeline connection aseptic sampling valve



3



4



5



### 各种不同无菌取样阀-阀头 Various aseptic sampling valves-valve heads



- 1. 流量微调阀头
- 2. 气动阀头
- 3. 自动复位阀头
- 4. 杠杆手柄阀头

### 不同的出口方式 Different outlet way



- 软管接口  
Hose interface
- 卡箍接口  
Clamp interface
- 快插接口  
Push-in interface

### 密封材质 Seal material

- 最高温度: 130°C(EPDM)
- 最高温度: 150°C(PTFE)
- Max. Temperature: 130°C(EPDM)
- Max. Temperature: 150°C(PTFE)

1. PTFE 2. EPDM 3. FKM



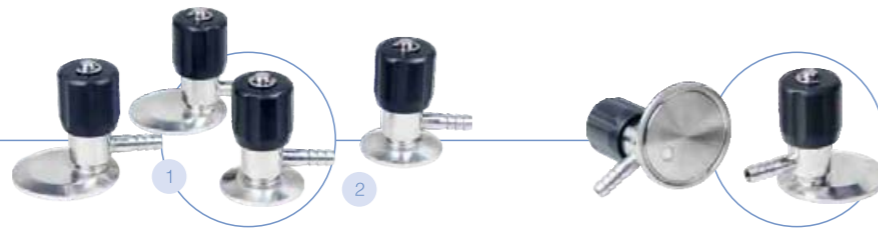
# 取样阀 Sampling valve

## 无滞留取样阀 No retention sampling valve

阀体材质: 316L/PEEK 密封材质: PTFE Body material: 316L/PEEK Sealing material: PTFE

### DJ-QY-WZL type

- 1、偏心安装接口 1. Eccentric installation interface
- 2、中心安装接口 2. Center installation interface

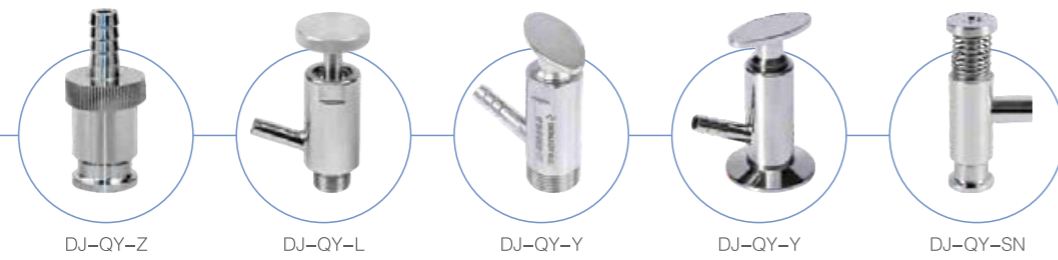


## 取样阀 Sampling valve

接口方式: 焊接、螺纹、卡箍、螺母 Connection way: welded, threaded, clamped, nut

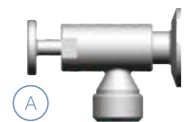
### DJ-QY type

- DJ-QY-Z 直通取样阀 DJ-QY-Z Straight way sampling valve
- DJ-QY-Y Y型取样阀 DJ-QY-Y Y type sampling valve
- DJ-SY-SN 酸奶取样阀 DJ-SY-SN Yogurt Sampling Valve

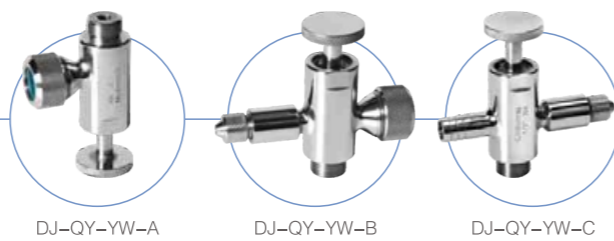


## 液位阀 Liquid level valve

接口方式: 焊接、螺纹、卡箍、螺母 Connection way: welded, threaded, clamped, nut



- DJ-QY-YW-A 液位阀 A DJ-QY-YW-A Liquid level valve A
- DJ-QY-YW-B 液位阀-B DJ-QY-YW-B Liquid level valve-B
- DJ-QY-YW-C 液位阀-C DJ-QY-YW-C Liquid level valve-C



# 清洗技术 Cleaning technology

## DJ-QX-type

清洗技术系列产品其包含, 360° 清洗器、旋转清洗球阀、固定清洗球、罐底管道清洗阀。

The cleaning technology series products include 360° cleaning device, rotating cleaning ball valve, fixed cleaning ball, tank bottom pipeline cleaning valve.



## 360°清洗器 360° Cleaning device

### DJ-QX-PS type



360° 无死角清洗、低液损耗、自润滑、自清洗、清洗距离可达22M。

360° no dead angle cleaning, low fluid loss, self-lubricating, self-cleaning, cleaning distance up to 22M.

该清洗器主要用来清洗较为顽固污渍和≤22米直径容器罐体设备, 和其他清洗设备相比较有着非常大的技术优势, 如更少的流量、更短的时间、360° 全覆盖清洗、无死角、自润滑、清洗更加洁净等技术特点。

This cleaning device is mainly used to clean more stubborn stains and ≤22m diameter container and tank equipment. Compared with other cleaning equipment, it has very large technical advantages, such as less flow, shorter time, 360° full coverage cleaning, No dead angles, self-lubricating, cleaner cleaning and other technical characteristics.

# 清洗技术 Cleaning technology

- 流量:  $\leq 16\text{m}^3/\text{h}$  (取决于压力和喷嘴尺寸)
- 压力: 4-10bar
- 建议工作压力: 6bar
- 工作温度: 95°C
- 材质: 316L/1.4404
- 清洗有效距离: 22M(取决于压力和喷嘴尺寸)

- Flow rate:  $\leq 16\text{m}^3/\text{h}$  (depending on pressure and spray size)
- Pressure: 4-10bar
- Recommended working pressure: 6bar
- Working temperature: 95°C
- Material: 316L/1.4404
- Cleaning effective distance: 22M (depending on pressure and nozzle size)

## 安装尺寸图 Installation Dimension Drawing



## 喷射器清洗周期和流量消耗表 Ejector cleaning cycle and flow consumption table

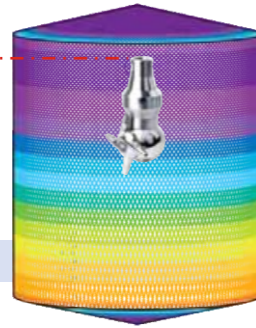
单个清洗周期时间和流量消耗 Single cleaning cycle time and flow consumption				建议清洗时间和流量消耗和清洗周期 Recommended cleaning time and flow consumption and cleaning cycle					
喷嘴直径 Nozzle diameter (mm)	压力 Pressure (bar)	时间/周期 Time period (minute)	流量消耗 Flow consume L/升	易清洗污渍 Easy to clean stains		一般污渍 General stains		顽固污渍 Stubborn stains	
				消耗流量*1周期(L/升) Consumption flow *1 cycle	时间 Time (min)	消耗流量*2周期(L/升) Consumption flow *2 cycle	时间 Time (min)	消耗流量*3周期(L/升) Consumption flow *3 cycle	时间 Time (min)
5	4	6min 45s	710	710	7	1420	14	2130	21
	5	5min 30s	645	645	6	1290	12	1935	18
	6	5 min	635	635	5	1270	10	1905	15
	7	4min 30s	610	610	5	1220	10	1830	15
	8	4 min	580	580	4	1160	8	1740	12
6	10	3min 30s	565	565	4	1130	8	1695	12
	4	5 min	650	650	5	1300	10	1950	15
	5	4min 30s	650	650	5	1300	10	1950	15
	6	4min	620	620	4	1240	8	1860	12
	7	3min 45s	610	610	4	1220	8	1830	12
7	8	3min 30s	610	610	4	1220	8	1830	12
	10	3min	580	580	3	1160	6	1740	9
	4	4min	615	615	4	1230	8	1845	12
	5	3min 30s	600	600	4	1200	8	1800	12
	6	3min	555	555	3	1110	6	1665	9
8	7	2min 45s	545	545	3	1090	6	1635	9
	8	2min 30s	530	530	3	1060	6	1590	9
	10	2min	475	475	3	950	6	1425	9
	4	3min 30s	595	595	3	1190	6	1785	9
	5	3min	570	570	3	1140	6	1710	9
8	6	2min 45s	570	570	3	1140	6	1710	9
	7	2min 30s	555	555	3	1110	6	1665	9
	8	2min 15s	535	535	3	1070	6	1605	9



1. 周期: 是指喷射360° 全覆盖的清洗所需的时间。
  2. 消耗: 是指每个周期清洗所需要流体消耗(单位: 升(L))。
  3. 建议清洗时间: 是指为确保不同的污渍采用不同的清洗时间。
  4. 建议清洗时间不一定精确, 具体要根据实际清洗效果为准, 但必须注意每个清洗周期所需的时间和流量消耗, 否则可能存在缺液或存在局部未洁净。
  5. 因介质、温度、压力等可能存在的误差, 液体消耗可能存在误差。
1. Cycle: refers to the time required for spraying 360° full coverage cleaning.  
2. Consumption: refers to the fluid consumption (unit: liter (L)) required for each cycle of cleaning.  
3. Suggested cleaning time: It means that different cleaning time is not guaranteed for different stains.  
4. It is suggested that the cleaning time may not be accurate. The specific cleaning effect shall be based on the actual cleaning effect. However, attention must be paid to the time and flow consumption required for each cleaning cycle, otherwise there may be lack of liquid or partial uncleanness.  
5. Due to possible errors in medium, temperature, pressure, etc., there may be errors in liquid consumption.

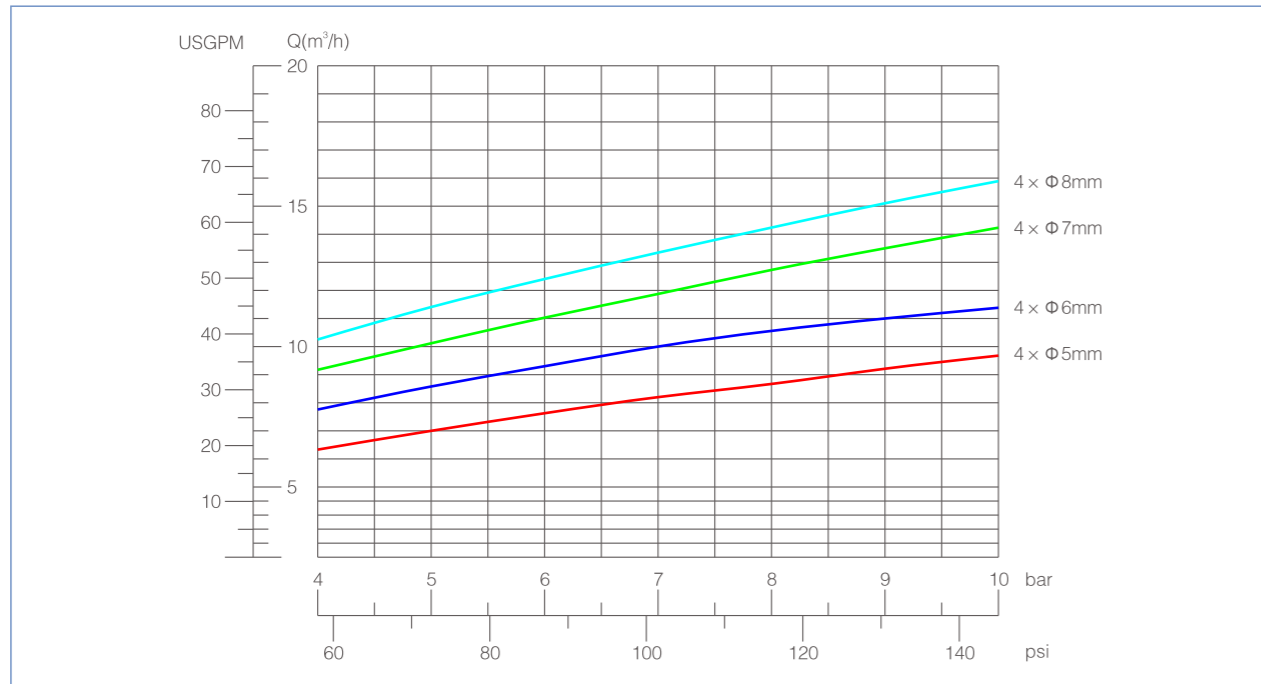
# 清洗技术 Cleaning technology

360° 全覆盖清洗  
360° full coverage cleaning



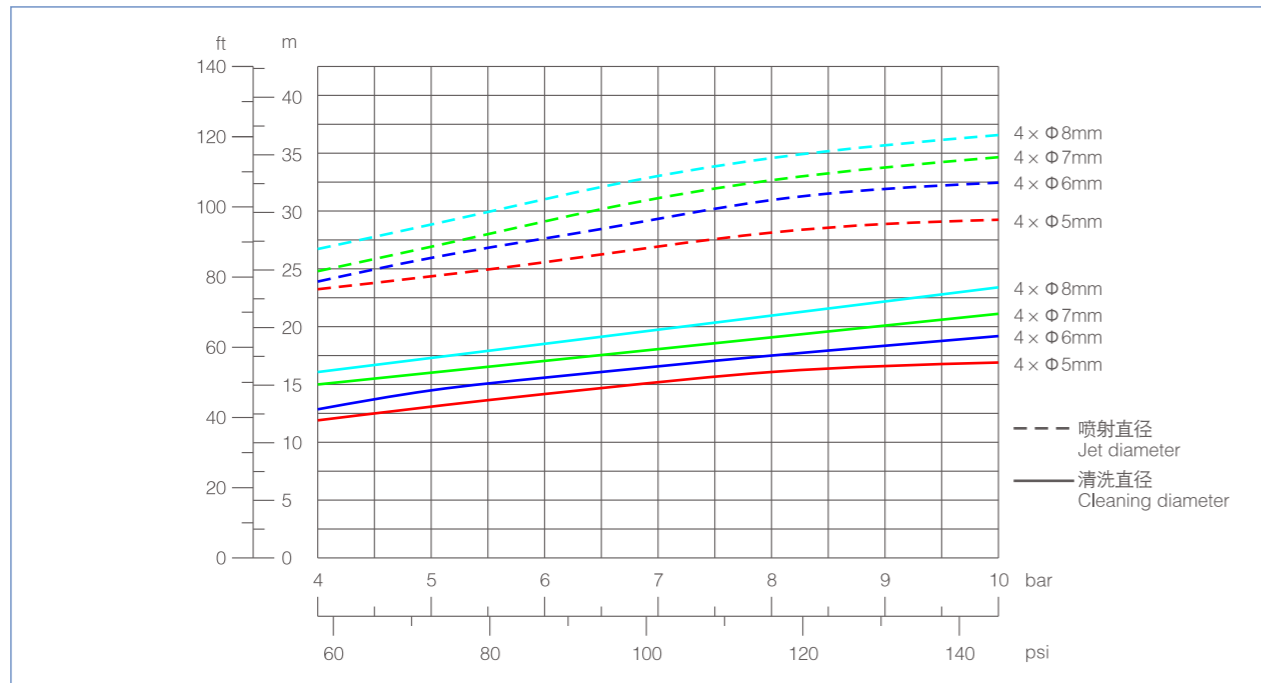
## 喷射器性能曲线图 Injector performance graph

压力/流量曲线图 Pressure/flow graph



注意：上面图表适用于， 介质：水(20°C)。Note: The above chart applies to, medium: water (20°C).

清洗/喷射直径 Cleaning / Jet diameter



注意：上面图表适用于， 介质：水(20°C)。Note: The above chart applies to, medium: water (20°C).



新一代清洗技术：  
-液体损耗下降30%  
-噪音下降50%  
-寿命提升2倍  
-更加洁净

New generation cleaning technology:  
-30% reduction in fluid loss  
-Noise reduction by 50%  
-Life span is increased by 2 times  
-Cleaner

## 旋转式清洗球 Rotary cleaning ball

- 球体尺寸：35mm、50mm、65mm、75mm
- 接口尺寸：1/2"-2.5"，DN10-DN65
- 连接方式：焊接、卡箍、螺纹、螺母、插销等
- 工作压力：≤ 4bar
- 工作温度：-10°C至130°C
- 材质：316L/1.4404 PEEK
- Sphere size: 35mm, 50mm, 65mm, 75mm
- Interface size: 1/2"-2.5", DN10-DN65
- Connection method: weld, clamp, thread, nut, bolt, etc.
- Working pressure: ≤ 4bar
- Working temperature: -10°C to 130°C
- Material: 316L/1.4404 PEEK



DJ-QX-XZ type

东正制造清洗球至今已有20多年经验，我们深知市场有非常多的清洗球产品，但普遍存在噪音大、清洗效果差、液体消耗大、清洗直径小、使用寿命短、清洗旋转不稳定等缺点。东正结合自身的经验和团队的努力对旋转式清洗球进行了系统性技术升级，升级后的产品具有更低噪音、更小流量消耗、更长使用寿命、更短清洗时间、清洗效果更加洁净等技术优势。

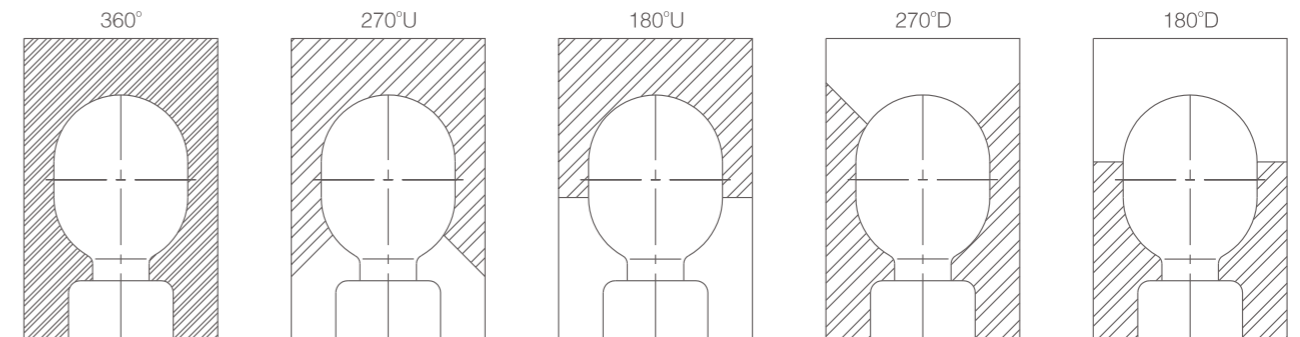
DONJOY has more than 20 years of experience in manufacturing cleaning balls. We know that there are many cleaning ball products in the market, but they are generally noisy, poor cleaning effect, large liquid consumption, small cleaning diameter, short service life, and unstable cleaning rotation and other shortcomings. Dongzheng combined its own experience and the efforts of the technical team to systematically upgrade the rotary cleaning ball. The upgraded product with lower noise, smaller flow consumption, longer service life, shorter cleaning time, and better cleaning effect.

## 清洗角度可选 Optional cleaning angle

- 360° 完全覆盖清洗
- 180° 部分覆盖清洗
- 270° 大部分覆盖清洗
- 360° Full coverage cleaning
- 180° Partial coverage cleaning
- 270° Mostly covered cleaning

清洗角度可为各种工艺需求或降低清洗液体消耗量而设计。也可为满足某种工艺喷洒液体需求。

The cleaning angle can be designed for various process requirements or to reduce the consumption of cleaning liquid. It can also meet the needs of spraying liquid for certain processes.



# 清洗技术 Cleaning technology

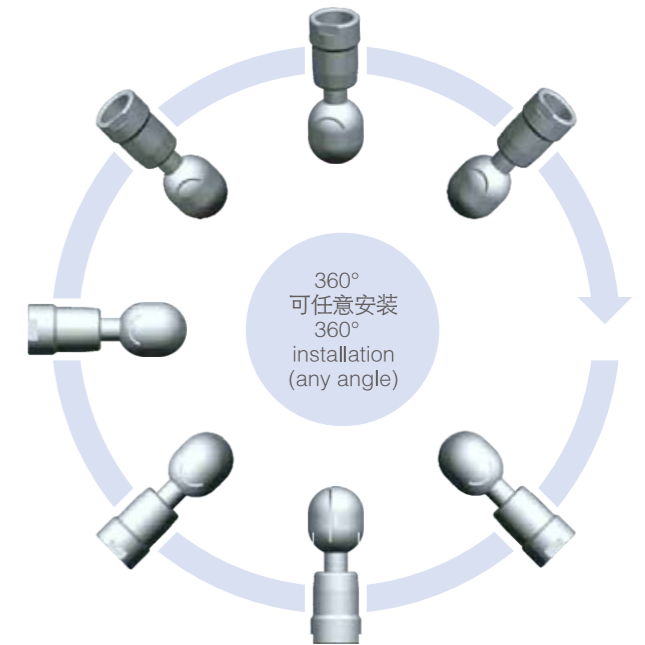
## 不锈钢材质-旋转清洗球-系列 Stainless steel material-rotary cleaning ball-series

旋转清洗球-不同连接方式  
Rotating cleaning ball-various connection methods



## 安装角度 Installation angle

ΦQ	Size	2Bar 压力Pressure		
		喷射半径(M) Injection radius	清洗半径(M) Cleaning radius	流量(M <sup>3</sup> /H) Flow
35	3/8"	2.5	1.1	2.5
	1/2"	2.8	1.2	2.8
	3/4"	2.8	1.3	3.0
50	1/2"	3.0	2.2	6
	3/4"	3.4	2.5	6.5
	1"	3.5	2.6	7
65	1"	4.0	3.0	12
	1.25"	4.2	3.1	15
	1.5"	4.5	3.2	16
75	1.25"	6.0	4.1	18
	1.5"	6.5	4.2	22
	2"	7.0	4.4	25
	2.5"	7.5	4.5	27

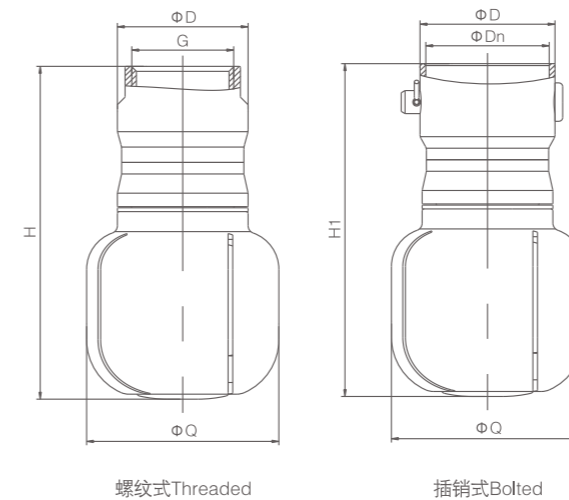


## PEEK材质-旋转清洗球-系列 PEEK material-rotary cleaning ball-series

旋转清洗球-不同连接方式  
Rotating cleaning ball-various connection methods



## 旋转清洗球 Rotating cleaning ball

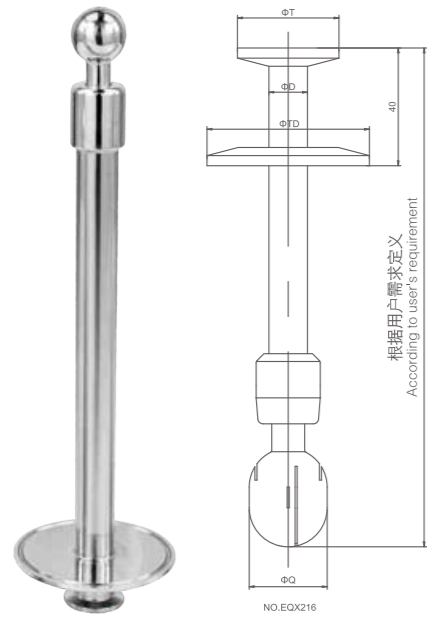


ΦQ	G	ΦD	ΦDn	H	H1
35	BSP 3/8"	23	-	63.7	-
	BSP 1/2"	27	-	63.7	-
	BSP 3/4"	34	19.3	68.7	68.7
50	BSP 1/2"	27	-	86.6	-
	BSP 3/4"	34	19.3	86.6	86.6
	BSP 1"	41	25.7	89.6	86.6
65	BSP 1"	41	25.7	98.6	86.6
	BSP 1.25"	50	32.1	100.6	100.6
	BSP 1.5"	57	38.4	104.6	105.6
75	BSP 1.25"	50	32.1	112.3	108.6
	BSP 1.5"	57	38.4	112.3	115.3
	BSP 2"	69	51.1	118.3	115.3
	BSP 2.5"	83.5	63.8	128.3	118.3

注意：旋转清洗球接口方式：螺纹、卡箍、焊接、插销式  
Note: Rotary cleaning ball connection: threaded, clamped, welded, bolted

# 清洗技术 Cleaning technology

## 旋转清洗球(双卡箍式)-加长型 Rotary cleaning ball (double clamp type)- Extended type



Q	规格 Specification	D	T	TD	2Bar压力Pressure		
					喷射半径 Injection radius(N)	清洗半径 Cleaning radius(M)	流量 Flow (M <sup>3</sup> /H)
35	0.5"	12.7	25	77.5	2.1	0.7	2
	0.75"	19	25	77.5	2.4	0.8	2.3
50	0.5"	12.7	25	77.5	2.5	1.1	2.5
	0.75"	19	25	77.5	2.8	1.2	2.8
	1"	25.4	50.5	77.5	2.8	1.3	3.0
65	0.75"	19	25	77.5	3.0	2.2	6
	1"	25.4	50.5	77.5	3.4	2.5	6.5
	1.25"	31.8	50.5	77.5	3.5	2.6	7.0
75	1.25"	31.8	50.5	91	4.0	3.0	12
	1.5"	38.1	50.5	91	4.2	3.1	15
	2"	50.8	64	91	4.5	3.2	16

## 伸缩式固定清洗器 Retractable fixed cleaner

DJ-QXF type



### 技术特点 Technical Features

伸缩式固定清洗器主要解决因清洗球长期泡在介质中形成的死角而容易细菌繁殖而污染介质。该阀门开启时清洗，关闭时保持清洗球与介质不接触，从而避免了死角。

Retractable fixed cleaner mainly solves the dead angle formed by the cleaning ball soaking in the medium for a long time, which is easy to pollute the medium by breeding bacteria. The valve is cleaning when it is opened, and when it is closed, the cleaning ball is not in contact with the medium, thus avoiding the dead angle.

- 规格: DN25-1".....4"-DN100
- 连接方式: 焊接、卡箍、罐底法兰
- 材质: 316L/1.4404
- 工作温度: -20°C 到 130°C

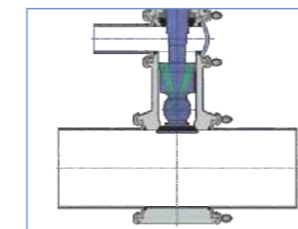
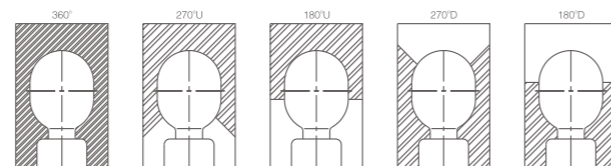
- Specification: DN25-1".....4"-DN100
- Connection method: welding, clamp, tank bottom flange
- Material: 316L/1.4404
- Working temperature: -20°C to 130°C

## 固定式清洗球 Fixed cleaning ball

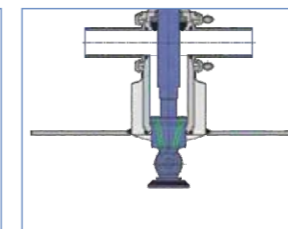
DJ-QX-GD type



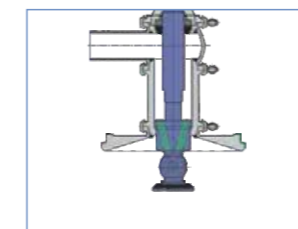
- 球体尺寸: 22mm、28mm、45mm、65mm
- 接口尺寸: 1/2"-2", DN10-DN50
- 连接方式: 焊接、卡箍、螺纹、螺母、插销等
- 材质: 316L/1.4404 PEEK
- Sphere size: 22mm, 28mm, 45mm, 65mm
- Interface size: 1/2"-2", DN10-DN50
- Connection method: welding, clamp, thread, nut, bolt, etc.
- Material: 316L/1.4404 PEEK



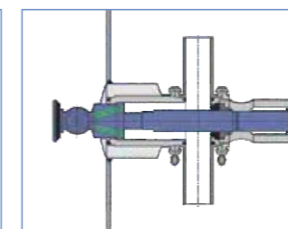
卡箍连接  
Clamp connection



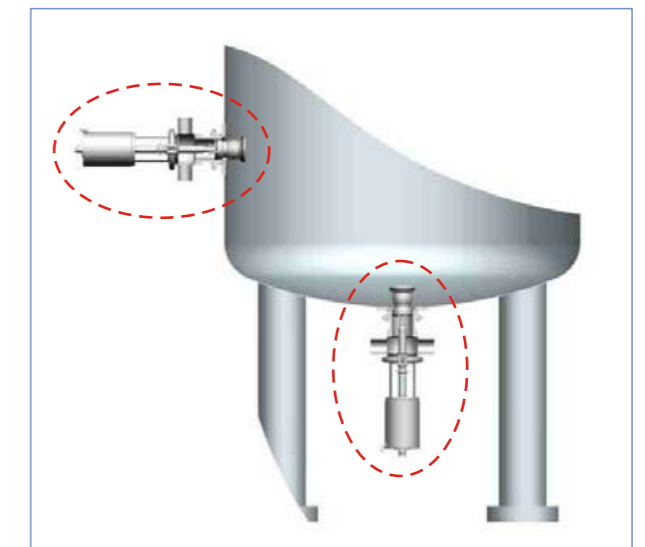
对焊连接  
Butt welding connection



法兰连接  
Flange connection



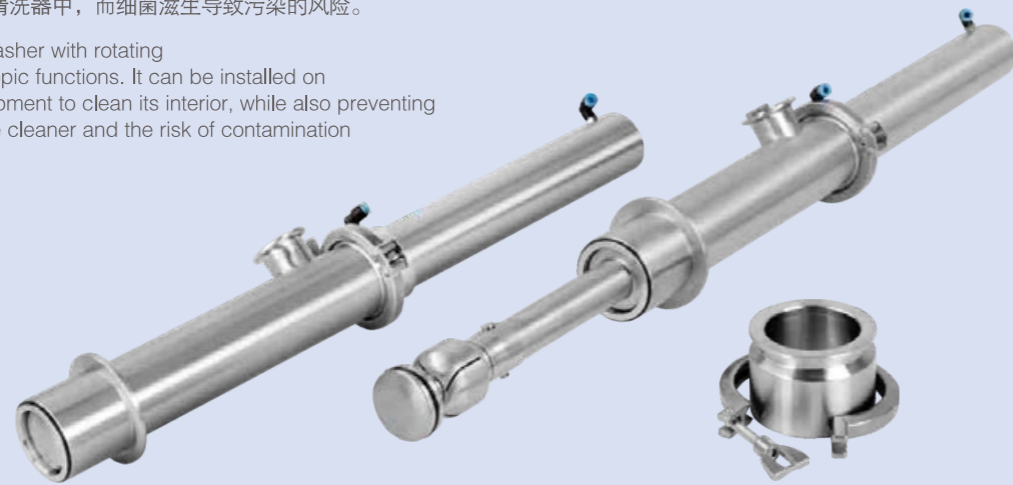
侧面焊接连接  
Side welding connection



# 伸缩式清洗器 Retractable washer

伸缩式清洗器是一款具有头部旋转清洗、伸缩功能的清洗器。它可以安装到各种容器罐设备上，对其内部进行清洗，同时还可以防止物料进入清洗器中，而细菌滋生导致污染的风险。

Retractable washer is a washer with rotating head cleaning and telescopic functions. It can be installed on a variety of container equipment to clean its interior, while also preventing materials from entering the cleaner and the risk of contamination due to bacterial growth.



## 不同安装角度 Various installation angles



编号 Number	排空能力 Emptying capacity	排空效果 Emptying effect
1#	自排空 Self-emptying	优 Advanced
2#	自排空 Self-emptying	优 Advanced
3#	自排空 Self-emptying	良 Proficient
4#	自排空 Self-emptying	优 Advanced
5#	停止供液30秒后关闭清洗器，完全自排空 Close the washer after stopping liquid supply 30 seconds, completely self-emptying	良 Proficient
6#	停止供液30秒后关闭清洗器，完全自排空 Close the washer after stopping liquid supply 30 seconds, completely self-emptying	良 Proficient

配件 Accessories

收缩状态  
Contraction closing

开启清洗  
Open cleaning

行程 Stroke	X	K	L
150	150	180	690.5
250	250	280	909.5
500	500	530	1659.5

DJ-SJ type

视镜有多种设计其包含由任视镜、卡箍由任视镜、直通视镜、四通视镜、法兰视镜、法兰卡箍视镜。

There are many designs of sight glasses, including union sight glasses, clamp union sight glasses, straight sight glasses, four-way sight glasses, flange sight glasses, flange clamp sight glasses.

温度: -20°C到150°C

压力: 真空~10bar

材质: 304/316L, 1.4301/1.4404

Temperature: -20°C to 150°C

Pressure: Vacuum to 10bar

Material: 304/316L, 1.4301/1.4404



直通视镜  
Straight sight glass

DJ-SJ-ZT type

Serial Number

DJ-SJ-ZT 基本型直通视镜

DJ-SJ-ZT-WK 网孔防护直通视镜

DJ-SJ-ZT-WJ 窗口防护直通视镜

DJ-SJ-ZT Basic straight-through sight glass

DJ-SJ-ZT-WK straight sight glass with mesh protective

DJ-SJ-ZT-WJ straight sight glass with window protective

SIZE: DN10-DN150/1/2"-6"



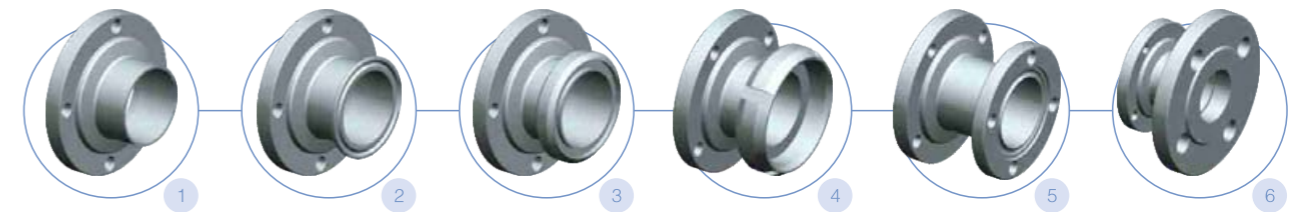
DJ-SJ-ZT

DJ-SJ-ZT-WK

DJ-SJ-ZT-WJ

不同连接方式 Different Connection Methods

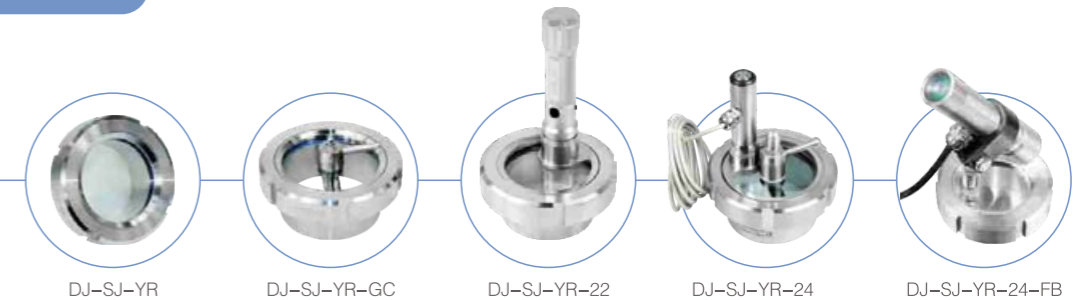
- |      |        |            |                   |
|------|--------|------------|-------------------|
| 1、焊接 | 4、螺母   | 1. Welding | 4. Nut            |
| 2、卡箍 | 5、无菌法兰 | 2. Clamp   | 5. Aseptic flange |
| 3、螺纹 | 6、法兰   | 3. Thread  | 6. Flange         |



由任视镜  
Union sight glass

DJ-SJ-YR type

SIZE: DN25-DN150/1"-6"



DJ-SJ-YR

DJ-SJ-YR-GC

DJ-SJ-YR-22

DJ-SJ-YR-24

DJ-SJ-YR-24-FB

Serial Number

DJ-SJ-YR 基本型由任视镜

DJ-SJ-YR-GC 刮尘由任视镜

DJ-SJ-YR-22 可充电锂电池视由任视镜灯

DJ-SJ-YR-24 DC24V由任视镜灯

DJ-SJ-YR-24-FB DC24V由任视镜防爆灯

DJ-SJ-YR Basic type by any sight glass

DJ-SJ-YR-GC union sight glass with wiper

DJ-SJ-YR-22 union sight glass with rechargeable lithium-ion battery

DJ-SJ-YR-24 union sight glass with DC24V LED light and wiper

DJ-SJ-YR-24-FB union sight glass with explosion-proof DC24V light

# 视镜与照明 Sight glass and lighting



视镜灯照明系列是一款白色冷光源、全不锈钢、IP67防护、高洁净、无死角的灯。

View mirror lighting series is a white cold light source, all stainless steel, IP67 protection, high clean, no dead angle lamp.

安全等级可根据用户需求供选择：  
1、隔爆系列； 2、基本系列

Safety level can be selected according to user needs:  
1. flameproof series; 2. Basic series

## 隔爆视镜灯系列 Exd explosion-proof sight glass series



### 技术参数

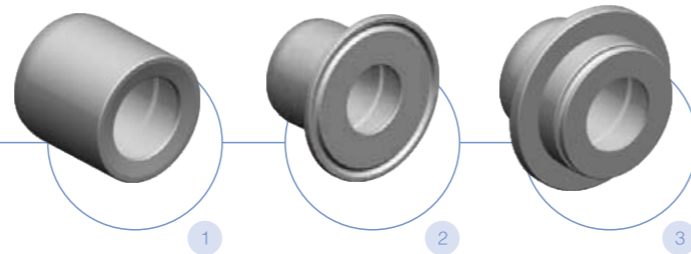
- 功率: 5W
- 功耗: DC24V/0.15A, DC8V/0.42A
- 流明: 400(LM)
- 照明有效距离: 5M; 最远10M
- 照明有效宽度: 4.5M; 最宽6M
- 温度: 直触温度70°C, 间距触温150°C
- 压力: 10bar
- 连接方式: 卡箍、对焊、嵌入式、法兰式等
- 防护等级: IP67

### Technical parameter

- Power: 5W
- Power consumption: DC24V/0.15A, DC8V/0.42A
- Lumen: 400(LM)
- Lighting effective distance: 5M; Up to 10M
- Effective width of lighting: 4.5M; Maximum width 6M
- Temperature: direct contact temperature 70°C, interval contact temperature 150°C
- Pressure: 10bar
- Connection: clamp, butt welding, embedded, flange, etc
- Protection level: IP67

## 不同连接方式 Different Connection Methods

- 1、焊接 Welding
- 2、卡箍 Clamp
- 3、嵌入 Embed

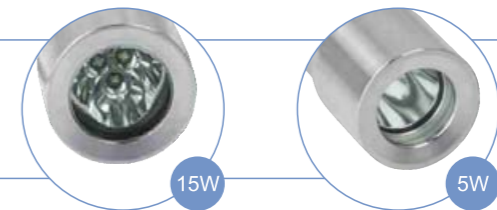


### 视镜灯 Sight glass light

接口: 焊接式、卡箍式、多角度支架安装方式。  
供电: 可充电锂电池  
材质: 铝合金外壳

Interface: welding type, clamp type, multi-angle bracket installation method.  
Power supply: rechargeable lithium battery  
Material: aluminum alloy shell  
Protection level: IP66

Serial Number  
DJ-SJ-LED-22 铝合金可充电锂电池视镜灯  
DJ-SJ-LED-22 Aluminum alloy rechargeable lithium battery sight glass light



### 技术参数

- 功率: 15W
- 功耗: DC24V/0.52A, DC10V/1.3A
- 流明: 1000(LM)
- 照明有效距离: 10M; 最远20M
- 照明有效宽度: 9M; 最宽10M
- 温度: 直触温度70°C, 间距触温150°C
- 压力: 10bar
- 连接方式: 卡箍、对焊、嵌入式、法兰式等
- 防护等级: IP67

### Technical parameter

- Power: 15W
- Power consumption: DC24V/0.52A, DC10V/1.3A
- Lumen: 1000(LM)
- Effective distance of lighting: 10M; Up to 20M
- Effective width of lighting: 9M; Maximum width 10M
- Temperature: direct contact temperature 70°C, interval contact temperature 150°C
- Pressure: 10bar
- Connection: clamp, butt welding, embedded, flange, etc
- Protection level: IP67

法兰视镜  
Flange sight glass

固定可升降支架  
Fixed raising and falling bracket



多角度灯支架  
Multi-angle bracket



法兰卡箍视镜  
Flange clamped sight glass

DJ-SJ-FLK type

SIZE: DN25-DN150/1"-6"



DJ-SJ-FLK

DJ-SJ-FLK-22

DJ-SJ-FLK-24

Serial Number

DJ-SJ-FLK 基本型法兰卡箍视镜  
DJ-SJ-FLK-22 可充电锂电池视由任视镜灯  
DJ-SJ-FLK-24 DC24V由任视镜灯

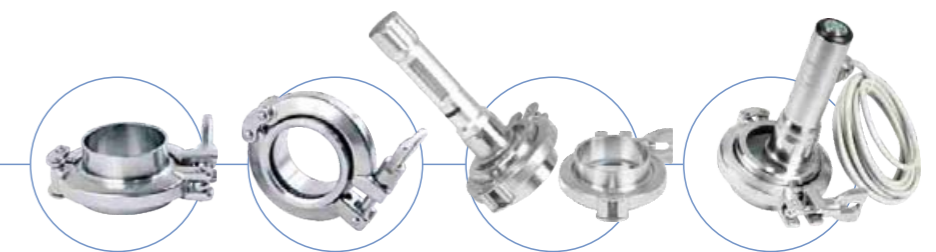
DJ-SJ-FLK Basic type flange clamped sight glass  
DJ-SJ-FLK-22 flange clamped sight glass with rechargeable lithium-ion battery  
DJ-SJ-FLK-24 flange clamped sight glass with DC24V LED light

法兰卡箍视镜玻璃平面和法兰完全齐平，具有无滞留、无死角。  
The tempered glass of flange clamped sight glass is kept completely parallel with flange, with no retention and no dead angle.

卡箍由任视镜  
Clamp union sight glass

DJ-SJ-KG type

SIZE: DN25-DN150/1"-6"



DJ-SJ-KG

DJ-SJ-KG-22

DJ-SJ-KG-24

Serial Number

DJ-SJ-KG 基本型卡箍视镜  
DJ-SJ-KG-22 可充电锂电池卡箍视镜灯  
DJ-SJ-KG-24 DC24V卡箍视镜灯

DJ-SJ-KG Basic type clamp sight glass  
DJ-SJ-KG-22 clamped union sight glass with rechargeable lithium-ion battery  
DJ-SJ-KG-24 clamped union sight glass with DC24V LED light

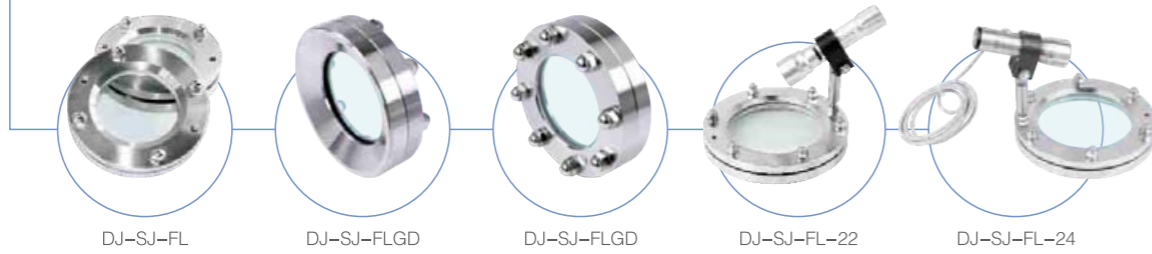
卡箍视镜完全与标准的卡箍接头匹配，安装极其简单。  
The clamp sight glass is completely matched with standard clamp ferrule, and the installation is extremely simple.

# 视镜 Sight glass

## 法兰视镜 Flange sight glass

### DJ-SJ-FL type

SIZE: DN25-DN300/1"-12"



#### Serial Number

DJ-SJ-FL 基本型法兰视镜  
DJ-SJ-FL-22 可充电锂电池法兰视镜灯  
DJ-SJ-FL-24 DC24V法兰视镜灯

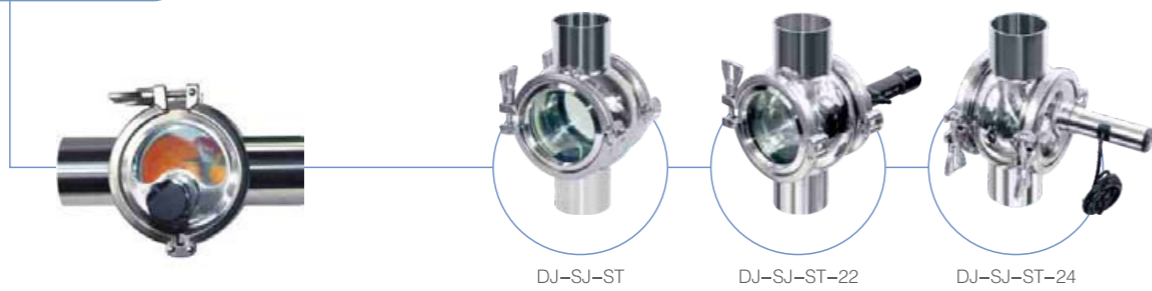
DJ-SJ-FL Basic type flange sight glass  
DJ-SJ-FL-22 flange sight glass with rechargeable lithium-ion battery  
DJ-SJ-FL-24 flange sight glass with DC24V LED light

法兰视镜具有20bar压力等级。  
The pressure rating of flange sight glass is 20bar.

## 四通视镜 Four-way sight glass

### DJ-SJ-ST type

SIZE: DN25-DN100/1"-4"



#### Serial Number

DJ-SJ-ST 基本型四通视镜  
DJ-SJ-ST-22 可充电锂电池四通视镜灯  
DJ-SJ-ST-24 DC24V四通视镜灯

DJ-SJ-ST Basic type four way sight glass  
DJ-SJ-ST-22 4-way sight glass with rechargeable lithium-ion battery  
DJ-SJ-ST-24 4-way sight glass with DC24V LED light

四通视镜具有无死角、无滞留。  
The four way sight glass with no dead angle and no retention.

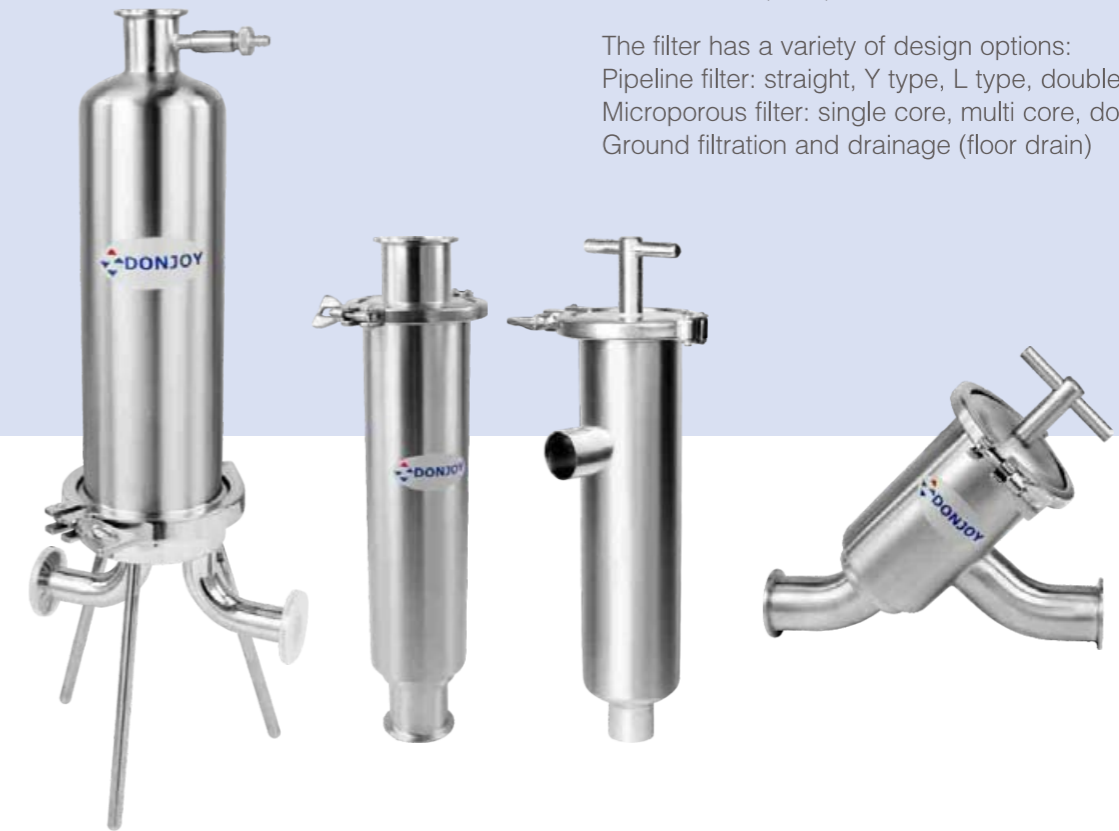
# 过滤器 Filter

## GL- type

过滤器有多种设计方案:

管道过滤器: 直通、Y型、L型, 双联过滤器  
微孔过滤器: 单芯、多芯、双联过滤器  
地面过滤排泄(地漏)

The filter has a variety of design options:  
Pipeline filter: straight, Y type, L type, double filter  
Microporous filter: single core, multi core, double filter  
Ground filtration and drainage (floor drain)



## 地面过滤排泄(地漏) Ground filtration and drainage (floor drain)

### GL-DL Type



材质: 304/316L  
规格: 1"-6", DN25-DN150  
温度: -30°C~150°C

Material: 304/316L  
Size: 1"-6", DN25-DN150  
Temperature: -30°C to 150°C



# 过滤器 Filter

## 管道过滤器滤芯 Pipeline filter element



- ① **网孔滤芯** Mesh filter element  
材质 Material: 316L/304  
过滤精度 Filtration accuracy(mm): 0.5; 0.8; 1; 1.5; 2; 3等
- ② **扁形开口滤芯** Wedge filter element  
材质 Material: 316L  
过滤精度 Filtration accuracy: 0.1.....0.5mm
- ③ **筛网滤芯** Screen element  
材质 Material: 316L/304  
过滤精度 Filtration accuracy(目): 300、200、100、50等

## 管道过滤器-Y型 Pipe filter-Y type



材质: 304/316L  
规格: 1"-4", DN25-DN100  
压力: 真空~10bar  
温度: -30°C~150°C

Material: 304/316L  
Specification: 1"-4", DN25-DN100  
Pressure: Vacuum to 10bar  
Temperature: -30°C to 150°C



## 管道过滤器-L型 Pipe filter-L type



材质: 304/316L  
规格: 1"-6", DN25-DN150  
压力: 真空~10bar  
温度: -30°C~150°C

Material: 304/316L  
Size: 1"-6", DN25-DN150  
Pressure: Vacuum to 10bar  
Temperature: -30°C to 150°C



## 容器呼吸过滤器(呼吸器) Container breathing filter (rebreather)



材质: 304/316L  
滤芯: 金属、钛棒、PTFE、PE  
滤芯规格: 5", 10"  
过滤量: 气体3-6m³/min

Material: 304/316L  
Filter element: metal, titanium rod, PTFE, PE  
Filter specifications: 5", 10"  
Filter volume: gas 3-6m³/min



## 管道过滤器-I型 Pipe filter-I type



材质: 304/316L  
规格: 1"-6", DN25-DN150  
压力: 真空~10bar  
温度: -30°C~150°C

Material: 304/316L  
Size: 1"-6", DN25-DN150  
Pressure: Vacuum to 10bar  
Temperature: -30°C to 150°C



## 管道双联过滤器 Pipeline duplex filter



规格: 1"-4", DN25-DN100  
材质: 304/316L  
压力: 真空~10bar  
温度: -30°C~150°C

Specification: 1"-4", DN25-DN100  
Material: 304/316L  
Pressure: Vacuum to 10bar  
Temperature: -30°C to 150°C



# 过滤器 Filter

## 微孔过滤器 Micro filter

GL-WK Type



- 滤芯规格: 5", 10", 15", 20", 30", 40"
- 滤芯数量: 1芯、2芯、3芯、5芯、7芯、9芯、12芯、24芯等
- 滤芯材质: PP, PES, PTFE, PVDF, N6, N66, CN-CA, ACF
- 滤芯接口: 220, 222, 226
- 滤芯精度( $\mu\text{m}$ ): 0.05, 0.1, 0.2, 0.45, 0.65等各种精度
- 壳体材质: 304/1.4301, 316L/1.4404, ASME BPE 316L 1.4435 NB2 Fe $\leq$ 0.5%
- 压力: 真空~10bar(1.0 MPa)
- 温度: -20°C 到 +150°C, 取决密封于材质
- 密封: EPDM FKM HNBR PTFE
- 连接标准: DIN SMS ISO IDF RJT BS4825 ASME BPE 3A DIN11864 DIN11853
- 连接方式: 螺纹、卡箍、焊接、法兰
- 光洁度: Ra $\leq$ 0.6  $\mu\text{m}$ , MP=Ra $\leq$ 0.3  $\mu\text{m}$ , EP=Ra $\leq$ 0.3  $\mu\text{m}$
- 认证: FDA 177.2600, Glass II USP Glass VI Chapter 88, GB4806.11, EG VO/1935-2004, PED/97/23/EC.

- Filter element specifications: 5", 10", 15", 20", 30", 40"
- Number of filter elements: 1core, 2cores, 3cores, 5cores, 7cores, 9cores, 12cores, 24cores, etc.
- Filter element material: PP; PES; PTFE; PVDF; N6; N66; CN-CA; ACF.
- Filter element interface: 220, 222, 226.
- Filter element precision ( $\mu\text{m}$ ): 0.05, 0.1, 0.2, 0.45, 0.65, etc.
- Shell material: 304/1.4301; 316L/1.4404, ASME BPE 316L 1.4435 NB2 Fe $\leq$ 0.5%
- Pressure: Vacuum to 10bar (1.0 MPa)
- Temperature: -20°C to +150°C, Depending on the seal material
- Sealing: EPDM FKM HNBR PTFE
- Connection standard: DIN SMS ISO IDF RJT BS4825 ASME BPE 3A DIN11864 DIN11853
- Connection method: thread, clamp, welding, flange
- Finish: Ra $\leq$ 0.6  $\mu\text{m}$ , MP=Ra $\leq$ 0.3  $\mu\text{m}$ , EP=Ra $\leq$ 0.3  $\mu\text{m}$
- Certification: FDA 177.2600, Glass II USP Glass VI Chapter 88, GB4806.11, EG VO/1935-2004, PED/97/23/EC.

## 磁性过滤器 Magnetic filter

GL-CX Type



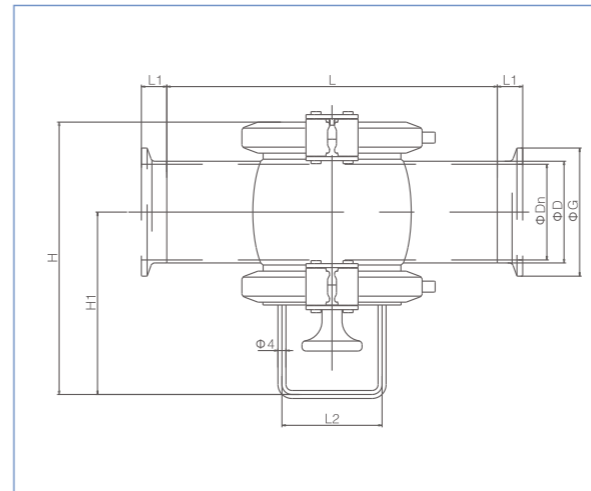
高效、洁净、无死角、无滞留、可在线清理铁削。  
Efficient, clean, no dead angles, no retention, and can clean iron chips online.

该过滤器主要用来清理物料介质中含有铁削，过滤时不影响流通能力，带有视镜观察内部废铁屑堆积，清理铁削无需拆卸管路即可实现。

规格: 1"-4", DN25-DN100

The filter is mainly used to clean the iron chips in the material medium, and the flow capacity is not affected during filtration. It is equipped with a sight glass to observe the internal scrap iron accumulation, and the iron chips can be cleaned without removing the pipeline.

Specification: 1"-4", DN25-DN100



磁性过滤器外形尺寸图 Magnetic filter dimensions

SIZE	D	Dn	G	L	L1	L2	H	H1
1"	25.4	22.4	50.5	150	12.7	50	110.5	78.5
1.25"	31.8	28.8	50.5	150	12.7	50	117	81.5
1.5"	38.1	35.1	50.5	165	12.7	50	123	84
2"	50.8	47.8	64	165	12.7	50	136	91
2.5"	63.5	59.5	77.5	205	12.7	75	148	96
3"	76.2	72.2	91	230	12.7	75	161.5	100
4"	101.6	97.6	119	300	15.8	90	186.5	116

# 过滤器 Filter

## 由任过滤器 Union filter

GL-YR Type



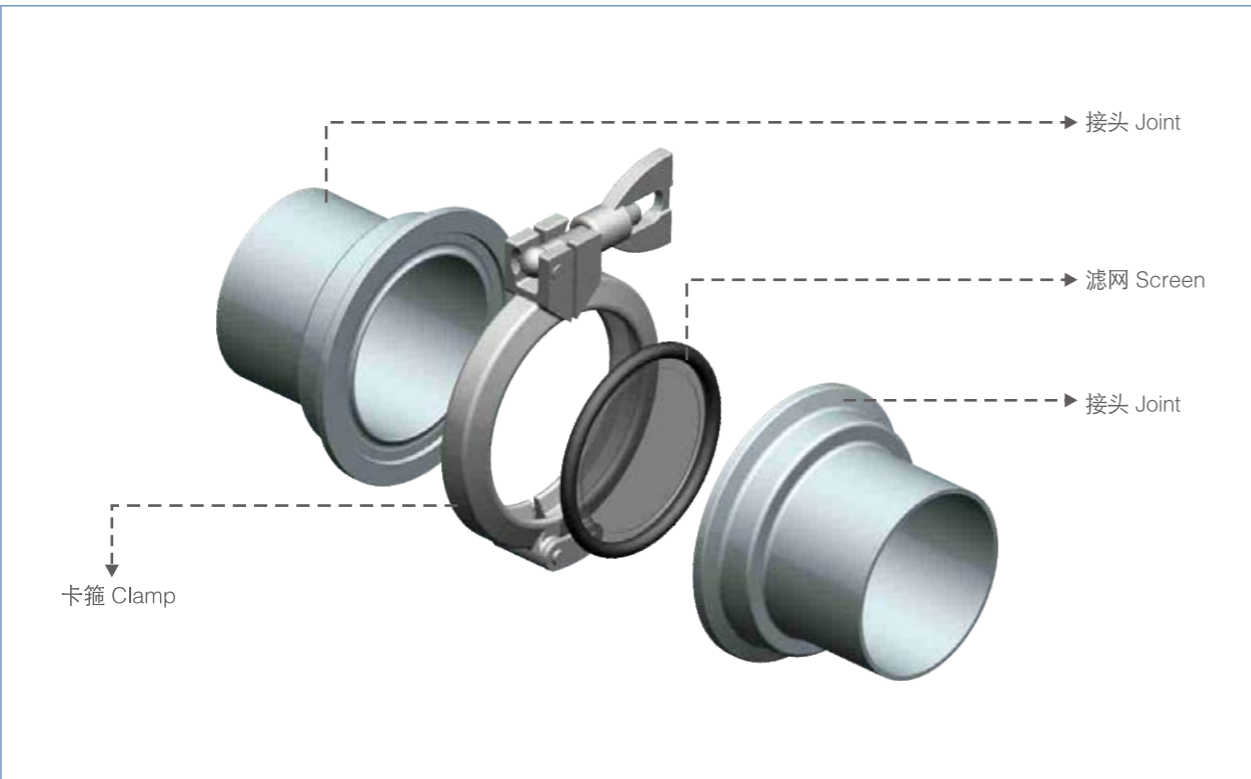
由任过滤器是一款基于卡箍无菌由任基础上增加过滤网而形成的过滤器。它具有成本低、使用简单、变化方便、可从标准由任转换成过滤器。

Union filter is a filter based on clamp aseptic union, adding a filter screen, low cost, easy to use, easy to change, can be converted from standard union to filter



滤网精度: 1mm到1 μm  
材质: SS316+EPDM

Screen accuracy: 1mm to 1 μm  
Material: SS316+EPDM



# 人孔 Manhole

## DJ-RK type



人孔有多种设计如圆型、椭圆型、方形、内开式、外开式、压力型、常压型,也可配置视镜、全玻璃视镜等各种人孔。我们设计的严格按照美国 3-A 卫生高洁净要求。

Manholes have a variety of designs such as round, oval, square, inward opening, outward opening, pressure, and normal pressure, and can also be equipped with sight glasses, full glass sight glasses and other manholes. The sight we designed strictly comply with American 3-A sanitary and high cleanliness requirements.



### 技术特点

- 规格: 100mm-800mm
- 材质: 304/1.4301, 316L/1.4404, ASME BPE 316L 1.4435 NB2 Fe≤0.5%
- 压力: 真空~10bar(1.0 MPa)
- 温度: -20°C 到 +150°C, 取决密封于材质
- 密封: EPDM FKM HNBR PTFE
- 光洁度: Ra≤0.8 μm; MP=Ra≤0.6 μm; EP=Ra≤0.3 μm
- 认证: FDA 177.2600; 3A-84-02; Glass II USP Glass VI Chapter 88; GB4806.11; EG VO/1935-2004; PED/97/23/EC;

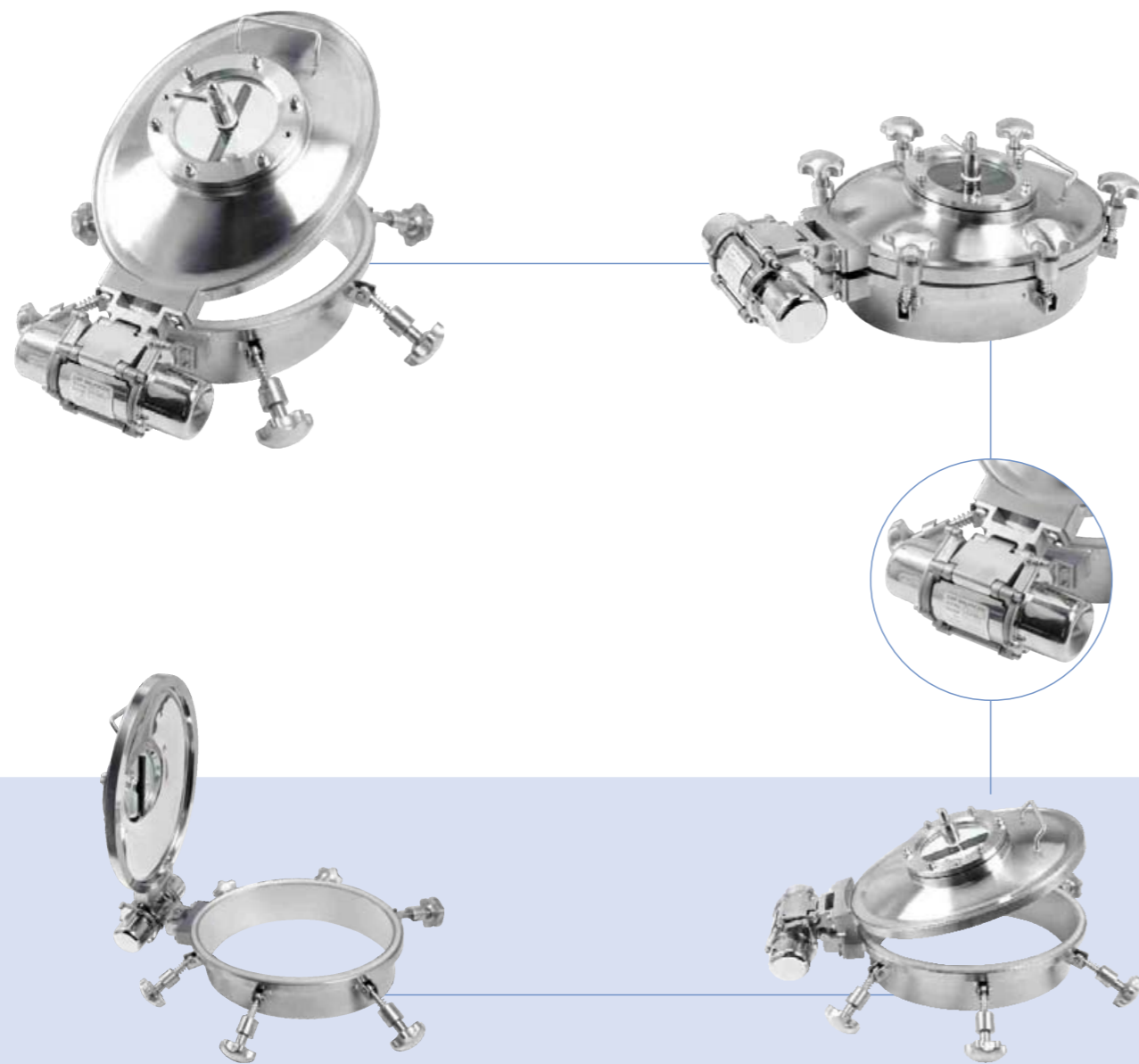
### Technical Features

- Specifications: 100mm-800mm
- Material: 304/1.4301, 316L/1.4404, ASME BPE 316L 1.4435 NB2 Fe≤0.5%
- Pressure: vacuum to 10bar (1.0 MPa)
- Temperature: -20°C to +150°C, Depending on the seal material
- Sealing: EPDM FKM HNBR PTFE
- Finish: Ra≤0.8 μm; MP=Ra≤0.6 μm; EP=Ra≤0.3 μm
- Certification: FDA 177.2600; 3A-84-02; Glass II USP Glass VI Chapter 88; GB4806.11; EG VO/1935-2004; PED/97/23/EC;

# 人孔 Manhole

## 阻尼慢开式人孔 Damping open-slowly manhole

它安装有阻尼系统，当打开或关闭盖子时则通过设定阻尼速度关闭或开启。  
With damping system, when open or close the manhole, the speed is adjustable.



## 圆形常压人孔 Round normal pressure manhole

### DJ-RK-Yx type

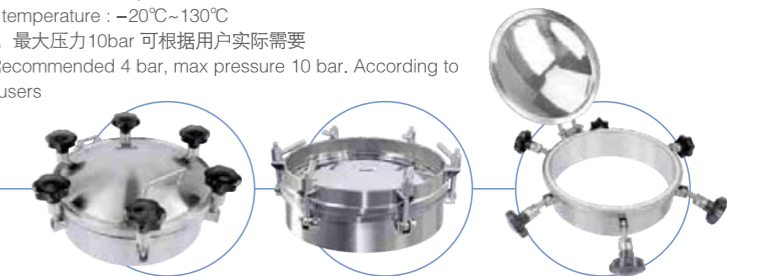
规格 Size: 102/152/200/250/300/350/450/500/550/600/700/800  
密封材质 Seal material: EPDM; FKM; Silicon; HNBR  
壳体材质 Shell material: 304/1.4301; 316L/1.4404  
手轮材质 Handwheel material: 尼龙Nylon、304  
工作温度 Operating temperature: -20°C~130°C  
工作压力 Working pressure: ≤0.5bar



## 圆形压力人孔 Round pressure manhole

### DJ-RK-YL type

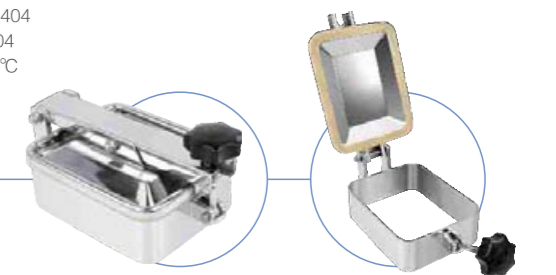
规格 Size: 102/152/200/250/300/350/450/500/550/600/700/800  
密封材质 Seal material: EPDM; FKM; Silicon; HNBR  
壳体材质 Shell material: 304/1.4301; 316L/1.4404  
手轮材质 Handwheel material: 尼龙Nylon、304  
工作温度 Operating temperature: -20°C~130°C  
工作压力: 推荐4bar, 最大压力10bar 可根据用户实际需要  
Working pressure: Recommended 4 bar, max pressure 10 bar. According to the actual needs of users



## 方形人孔 Square manhole

### DJ-RK-FX-MINI type

规格 Size: 120\*180, 185\*235, 200\*280  
密封材质 Seal material: EPDM; FKM; Silicon; HNBR  
壳体材质 Shell material: 304/1.4301; 316L/1.4404  
手轮材质 Handwheel material: 尼龙Nylon、304  
工作温度 Operating temperature: -20°C~130°C  
工作压力 Working pressure: ≤0.5bar



# 人孔 Manhole

## 方形人孔 Square manhole

### DJ-RK-FX type

规格 Size: 425\*335, 535\*435  
 密封材质 Seal material: EPDM; FKM; Silicon; HNBR  
 壳体材质 Shell material: 304/1.4301; 316L/1.4404  
 手轮材质 Handwheel material: 尼龙Nylon、304  
 工作温度 Operating temperature: -20°C~130°C  
 工作压力 Working pressure: ≤0.5bar



## 椭圆外开人孔 Oval swing-out manhole

### DJ-RK-TWK type

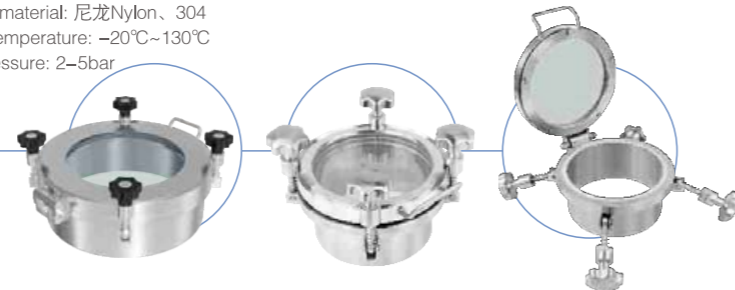
规格 Size: 250\*350, 300\*400, 330\*430, 430\*530  
 密封材质 Seal material: EPDM; FKM; Silicon; HNBR  
 壳体材质 Shell material: 304/1.4301; 316L/1.4404  
 手轮材质 Handwheel material: 304, 手柄 handle、手轮 hand wheel  
 工作温度 Operating temperature: -20°C~130°C  
 工作压力 Working pressure: ≤0.5bar



## 视镜人孔 Sight glass manhole

### DJ-RK-SJ type

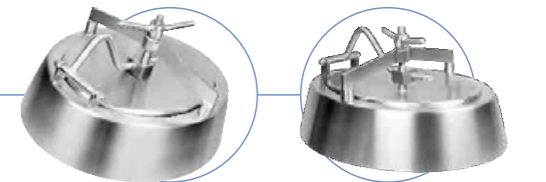
规格 Size: 102/152/200/250/300/350/450/500/550/600/700/800  
 密封材质 Seal material: EPDM; FKM; Silicon; HNBR  
 壳体材质 Shell material: 304/1.4301; 316L/1.4404  
 手轮材质 Handwheel material: 尼龙Nylon、304  
 工作温度 Operating temperature: -20°C~130°C  
 工作压力 Working pressure: 2~5bar



## 椭圆锥形外开人孔 Oval fastigate swing-out manhole

### DJ-RK-ZWK type

规格 Size: 480\*580, 380\*480  
 密封材质 Seal material: EPDM; FKM; Silicon; HNBR  
 壳体材质 Shell material: 304/1.4301; 316L/1.4404  
 手轮材质 Handwheel material: 304, 手柄 handle、手轮 hand wheel  
 工作温度 Operating temperature: -20°C~130°C  
 工作压力 Working pressure: ≤0.5bar



## 椭圆内开人孔 Oval swing-in manhole

### DJ-RK-TNK type

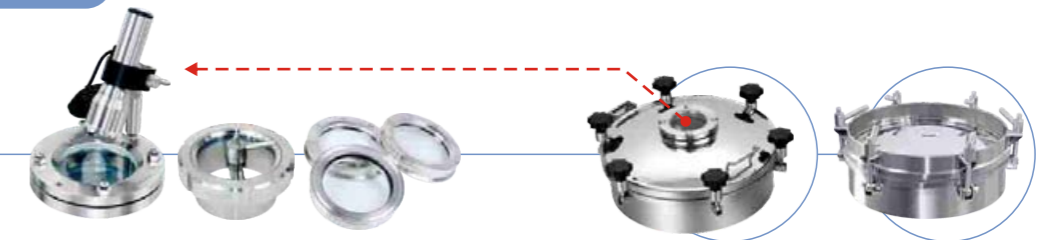
规格 Size: 435\*335, 530\*430, 635\*525  
 密封材质 Seal material: EPDM; FKM; Silicon; HNBR  
 壳体材质 Shell material: 304/1.4301; 316L/1.4404  
 手轮材质 Handwheel material: 304, 手柄 handle、手轮 hand wheel  
 工作温度 Operating temperature: -20°C~130°C  
 工作压力 Working pressure: ≤3bar



## 可配置视镜的人孔 Manhole with sight glass

### DJ-RK type

规格 Size: 102/152/200/250/300/350/450/500/550/600/700/800  
 密封材质 Seal material: EPDM; FKM; Silicon; HNBR  
 壳体材质 Shell material: 304/1.4301; 316L/1.4404



注意: 有关视镜和视镜照明介绍, 请查阅视镜照明章节。  
 About the introduction of sight glass and sight glass with lighting ,please refer to the sight glass Lighting section.

管件/由任  
Pipe fittings, Union

管件  
Pipe fitting



无菌罐体连接器  
Aseptic tank connector



软管接头  
Hose coupling



卡箍/螺纹/对焊/接头  
Clamp/thread/butt weld/ coupling



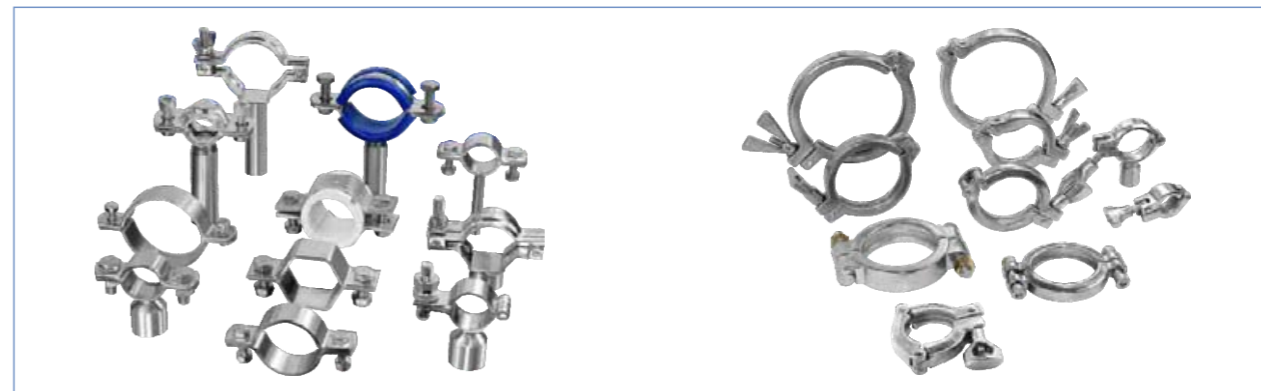
螺纹由任  
Thread union



无菌系列由任  
Aseptic series union



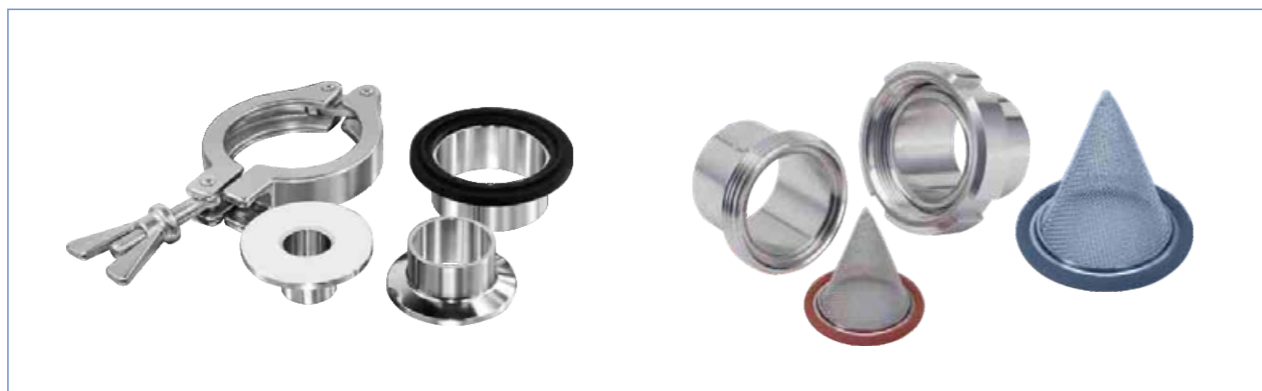
管支架  
Pipe holder



卡箍系列  
Clamp series



卡箍由任  
Clamp union



无菌由任过滤器  
Aseptic union filter



工业法兰  
Industrial flange



工业管件  
Industrial pipe fitting





- 变送器：温度、压力、液位、流量、Pt100、等各种变送器
- 开关：隔膜压力表、压力开关、液位开关、温度开关
- 传感器：电感传感器、防爆电感传感器、PNP NPN
- 电磁阀：贴板式、接管式
- 气源附件：气源过滤减压阀
- 防护等级：IP69 IP65
- 防爆等级：可根据用户定义
- 电源：DC 24V AC220V AC110V
- 输出信号：4-20mA, 0-5V, 0-10V

- Transmitter: Temperature, pressure, liquid level, flow, Pt100 etc
- Switch: diaphragm pressure gauge, pressure switch, liquid level switch, temperature switch
- Sensor: inductive sensor, explosion-proof inductive sensor, PNP NPN
- Solenoid valve: namur-mount, tracheal connection type
- Air source accessories: air source filter pressure reducing valve
- Protection level: IP69 IP65
- Explosion-proof grade: can be defined according to users
- Power supply: DC 24V AC220V AC110V
- Output signal: 4-20mA, 0-5V, 0-10V
- Material: 316L/304

东正选用的仪表产品都具有高洁净的等级且都为国内或国际一线品牌如 SMC、FESTO、P+F、ANDERSON-NEGELE、LABOM、AirTAC等各种优质的合作伙伴。

The instrument products selected by DONJOY all have high grade of cleanliness and are all domestic or international top brands, such as SMC, FESTO, P+F, ANDERSON-NEGELE, LABOM, AirTAC etc various high-quality partners.

### 压力变送器系列 Pressure transmitter series



压力变送器  
Pressure transmitter

数字显示-压力变送器  
Digital display-pressure transmitter

- 材质：304/1.4301, 316L/1.4404
- 压力：0.5.....30bar(根据用户需求)
- 温度：-30°C~150°C
- 模拟量输出：4-20mA, 0-5V, 0-10V
- 开关量输出：PNP NPN
- 供电：DC 24V
- 防护：IP65/IP69

- Material: 304/1.4301, 316L/1.4404
- Pressure: 0.5.....30bar (according to user requirements)
- Temperature: -30°C~150°C
- Analog output: 4-20mA, 0-5V, 0-10V
- Switch output: PNP NPN
- Power supply: DC 24V
- Protection: IP65/IP69

### 液位变送器系列 Liquid level transmitter series



液位变送器/液位开关  
Liquid level transmitter /Liquid level switch

- 材质：304/1.4301, 316L/1.4404
- 液位：根据用户实际需求
- 温度：-30°C~150°C
- 模拟量输出：4-20mA, 0-5V, 0-10V
- 开关量输出：PNP NPN
- 压力：10bar(适用于真空环境)
- 供电：DC 24V
- 防护：IP65/IP69
- Material: 304/1.4301, 316L/1.4404
- Liquid level: According to the actual needs of users
- Temperature: -30°C~150°C
- Analog output: 4-20mA, 0-5V, 0-10V
- Switch output: PNP NPN
- Pressure: 10bar (suitable for vacuum environment)
- Power supply: DC 24V
- Protection: IP65/IP69

### 压力与液位变送器-系列 Pressure and level transmitters - Series

DJ YL 10 mA 06 TC1 DJ

- 品牌：安德森耐格(NG); 蓝博(LB); 东正定制(DJ)  
Brand: Anderson Naig (NG); Rambo (LB); Dongzheng Custom (DJ)
- 卡箍25.4(TC0.5) 卡箍 50.5(TC1) 卡箍64(TC2) 锥螺纹(RC1/2) 直螺纹(G1/2)  
Clamp 25.4(TC0.5) Clamp 50.5(TC1) Clamp 64(TC2) Cone thread (RC1/2) Straight thread (G1/2)
- 材质：304(04)316L(06)  
Material: 304(04)316L(06)
- 信号类似：IO-link(IO); 4-20mA(mA)  
The signal is similar: IO-link (IO); 4-20mA(mA)
- 压力等级：10bar(10) 6bar(6) 3bar(3) 1bar(1)  
Pressure rating: 10bar(10) 6bar(6) 3bar(3) 1bar(1)
- 类别：压力变送器(YL) 液位变送器(YW) 液位开关(YK)  
Category: Pressure Transmitter(YL) Level Transmitter(YW) Level Switch(YK)

温度变送器系列  
Temperature transmitter series



- 材质: 304/1.4301, 316L/1.4404
- 探头: 长度可根据用户需求定义
- 温度: 可根据用户需求定义如150°C
- 模拟量输出: 4-20mA, PT100
- 开关量输出: PNP NPN
- 压力: 10bar(适用于真空环境)
- 供电: DC 24V
- 防护: IP65/IP69
- Material: 304/1.4301, 316L/1.4404
- Probe: length can be defined according to user needs
- Temperature: can be defined as 150°C according to user requirements
- Analog output: 4-20mA, Pt100
- Switch output: PNP NPN
- Pressure: 10bar (suitable for vacuum environment)
- Power supply: DC 24V
- Protection: IP65/IP69

流量变送器系列  
Flow transmitter series



- 材质: 304/1.4301, 316L/1.4404
- 流量: 根据用户定义
- 温度: -30°C~150°C (根据用户定义)
- 模拟量输出: 4-20mA, 0-5V, 0-10V
- 开关量输出: PNP NPN
- 压力: 10bar(适用于真空环境)
- 供电: DC 24V
- 防护: IP65/IP69
- 防爆: 1. 本安防爆等级Ex ia II Bt4; 2. 隔爆等级 EXD II BT4
- Material: 304/1.4301, 316L/1.4404
- Flow: According to user definition
- Temperature: -30°C~150°C (according to user definition)
- Analog output: 4-20mA, 0-5V, 0-10V
- Switch output: PNP NPN
- Pressure: 10bar (suitable for vacuum environment)
- Power supply: DC 24V
- Protection: IP65/IP69
- Explosion-proof: 1. Intrinsic safe explosion-proof Ex ia II BT4. 2. EXD II BT4

温度变送器-系列 Temperature Transmitter - Series

DJ WBS 150 010 mA 04 TC1 DJ

- 品牌: 安德森耐格(NG); 蓝博(LB); 东正定制(DJ)  
Brand: Anderson Naig (NG); Rambo (LB); Dongzheng Custom (DJ)
- 卡箍25.4(TC0.5) 卡箍 50.5(TC1) 卡箍64(TC2) 锥螺纹(RC1/2) 直螺纹(G1/2)  
Clamp 25.4 (TC0.5) Clamp 50.5 (TC1) Clamp 64 (TC2) Cone thread (RC1/2) Straight thread (G1/2)
- 材质Material: 304(04) 316L(06)
- 信号类似: IO-link(IO); 4-20mA(mA); PT100/1000(PT)  
The signal is similar: IO-link (IO); 4-20mA(mA); PT100/1000(PT)
- 探针长度: 5mm(005); 10mm(010); 20mm(020); 50mm(050); 100mm(100)  
Probe length: 5mm (005); 10mm(010); 20mm(020); 50mm(050); 100mm(100)
- 温度等级: 150°C(150); 200°C(200); 250°C(250)  
Temperature grade: 150° C (150); 200°C(200); 250°C(250)
- 类别: 温度变送器(WBS); PT100(Pt100) PT1000(Pt1000) PT200(Pt200)  
Category: Temperature transmitter (WBS); PT100(Pt100) PT1000(Pt1000) PT200(Pt200)

音叉物位传感器  
Tuning fork level sensor



- 环境温度: 80°C
- 模拟量输出: 4-20mA, 0-5V, 0-10V
- 开关量输出: PNP NPN
- 供电: DC 24V AC220V/110V
- 防护: IP65/IP69
- Environmental temperature: 80°C
- Analog output: 4-20mA, 0-5V, 0-10V
- Switch output: PNP NPN
- Power supply: DC 24V AC220V/110V
- Protection: IP65/IP69

流量变送器-系列 Flow Transmitter - Series

DJ DLB 2.0 150 mA PTFE 04 TC

- 连接方式: 法兰(F); 卡箍(TC)  
Connection mode: flange (F); Clamp (TC)
- 壳体材质: 304(04); 316L(06); 铸铁(WB)  
Shell material: 304 (04); 316L(06); Cast Iron (WB)
- 内衬材质: PTFE(PTFE); FPA(FPA)  
Lining material: PTFE (PTFE); FPA(FPA)
- 信号类似: IO-link(IO); MOD BUS RS485(RS); 4-20mA(mA)  
The signal is similar: IO-link (IO); MOD BUS RS485(RS); 4-20mA(mA)
- 温度等级: 150°C(150); 200°C(200); 250°C(250)  
Temperature grade: 150° C (150); 200°C(200); 250°C(250)
- 规格: 1"(1.0); 1.5"(1.5); 2"(2.0); 2.5"(2.5); 3"(3.0); 4"(4.0)  
Size: 1"(1.0); 1.5"(1.5); 2"(2.0); 2.5"(2.5); 3"(3.0); 4"(4.0)
- 类别: 电磁流量变送器(DLB) 涡街流量变送器(WLB)  
Category: Electromagnetic Flow Transmitter (DLB) Vortex Flow Transmitter (WLB)

## 气源附件-电磁阀系列

### Air source accessories - Solenoid valve series

电磁阀与国际一线品牌厂家合作 FESTO、SMC、ASCO、NORGREN、AIRTAC，其包含侧面帖板式、气管连接式等电磁阀。

Solenoid valve cooperate with the international famous brand manufacturers such as FESTO, SMC, ASCO, NORGREN, AIRTAC, which includes the side plate, air pipe connection type solenoid valve.

#### 电磁阀-侧面安装式

Solenoid valve - side mount type



- 供电: DC24V AC 220V/110V
- 安全等级: 通用等级  
隔爆等级 Exd II CT6  
本安防爆等级 Exiall CT6
- Power supply: DC24V AC 220V/110V
- Safety level: General level  
Flameproof rating Exd II CT6  
Intrinsic safety explosion-proof class Exiall CT6

#### 电磁阀-配管连接式

Solenoid valve - pipe connection type



#### 隔爆电磁阀

Flameproof solenoid valve



#### 订购型号定义 Order type definition

DJ-VDC-DC24 -2/3- C -EXD -1/4-SMC



## 气源附件-过滤减压阀系列

### Air source accessories - filter reducing valve series

过滤减压阀与国际一线品牌厂家合作 FESTO、SMC、ASCO、NORGREN、AIRTAC，其包含不锈钢、铝合金等。

Filter pressure reducing valve cooperat with the international famous brand manufacturers such as FESTO, SMC, ASCO, NORGREN, AIRTAC, which contains stainless steel, aluminum alloy, etc.

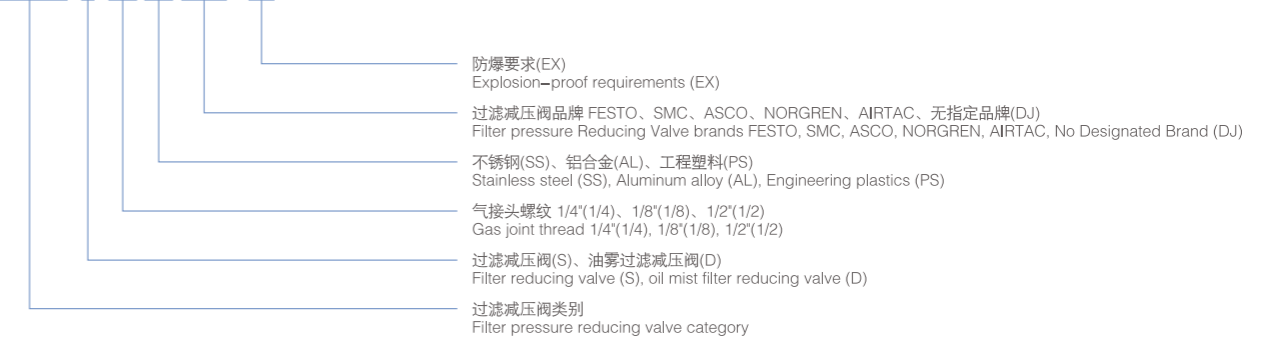
#### 油雾过滤减压阀系列

Oil mist filter reducing valve series



#### 订购型号定义 Order type definition

DJ-VGL- S -1/4-AL-SMC - EX



# 传感器与电缆 Sensor and cable

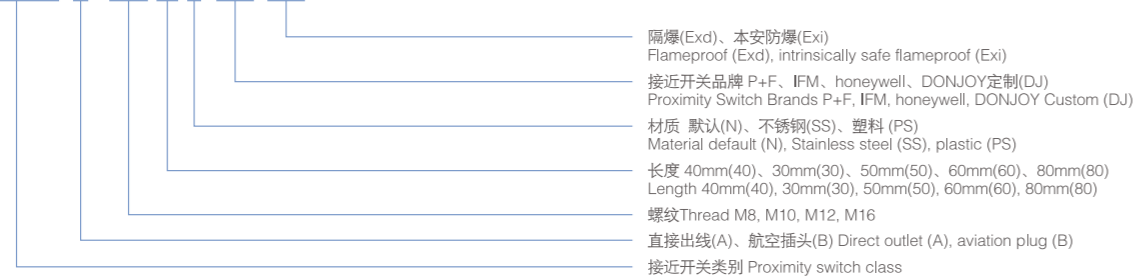
## 位置接近开关系列 Position proximity switch series

位置开关系列与国际一线品牌厂家合作 P+F、IFM、honeywell  
Position switch series cooperate with the international famous brand manufacturers such as P+F, IFM, honeywell



### 订购型号定义 Order type definition

DJ-CGQ- A - M12-40-N- P+F Exd

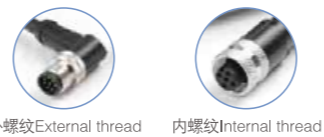


## 电缆系列 Cable series

多针孔电缆接头系列与国际一线品牌厂家合作 P+F、IFM、DOJOY定制  
Multi-pinhole cable connector series is customized by P+F, IFM and DOJOY in cooperation with international famous brand manufacturers



接口螺纹 Interface thread: M12\*1  
防护等级 Protection level: IP67  
最高电压 Maximum voltage: ≤ 250V



### 订购型号定义 Order type definition

DJ-HC-D- NW/NZ-5-1.5-PUR-DJ



## 电缆接头系列 Cable connector series

多针孔电缆接头系列与国际一线品牌厂家合作 P+F、IFM、DONJOY定制  
Multi-pinhole cable connector series is customized by P+F, IFM, DONJOY in cooperation with international famous brand manufacturers



内螺纹弯头 Elbow for internal thread		外螺纹弯头 Elbow for external thread		说明 Description
型号 Model	芯数 Cores	型号 Model	芯数 Cores	
DJ-FHC-NW-2	2	DJ-FHC-WW-2	2	接口螺纹: M12*1 防护等级: IP67 最高电压: ≤250V 锁线尺寸: 4-7mm/7-9mm Interface thread: M12*1 Protection level: IP67 Maximum voltage: ≤250V Lock wire size: 4-7mm/7-9mm
DJ-FHC-NW-4	4	DJ-FHC-WW-4	4	
DJ-FHC-NW-5	5	DJ-FHC-WW-5	5	
DJ-FHC-NW-8	8	DJ-FHC-WW-8	8	
DJ-FHC-NW-12	12	DJ-FHC-WW-12	12	

内螺纹直型 Internal thread straight type		外螺纹直型 Straight external thread		说明 Description
型号 Model	芯数 Cores	型号 Model	芯数 Cores	
DJ-FHC-NZ-2	2	DJ-FHC-WZ-2	2	螺纹标准: M12*1 防护等级: IP67 最高电压: ≤250V 锁线尺寸: 4-7mm/7-9mm Thread standard: M12*1 Protection level: IP67 Maximum voltage: ≤250V Lock wire size: 4-7mm/7-9mm
DJ-FHC-NZ-4	4	DJ-FHC-WZ-4	4	
DJ-FHC-NZ-5	5	DJ-FHC-WZ-5	5	
DJ-FHC-NZ-8	8	DJ-FHC-WZ-8	8	
DJ-FHC-NZ-12	12	DJ-FHC-WZ-12	12	

多针孔电缆接头系列与国际一线品牌厂家合作 P+F、IFM、DONJOY定制  
Multi-pinhole cable connector series is customized by P+F, IFM, DONJOY in cooperation with international famous brand manufacturers



外螺纹接口 External thread connection		内螺纹接口 Internal thread connection		底座螺纹 Base thread
型号 Model	芯数 Cores	型号 Model	芯数 Cores	
DJ-DHC-M16-W-2	2	DJ-DHC-M12-N-2	2	M12*1.5
DJ-DHC-M12-W-4	4	DJ-DHC-M12-N-4	4	
DJ-DHC-M12-W-5	5	DJ-DHC-M12-N-5	5	
DJ-DHC-M12-W-8	8	DJ-DHC-M12-N-8	8	

外螺纹接口 External thread connection		内螺纹接口 Internal thread connection		底座螺纹 Base thread
型号 Model	芯数 Cores	型号 Model	芯数 Cores	
DJ-DHC-M16-W-2	2	DJ-DHC-M16-N-2	2	M16*1.5
DJ-DHC-M16-W-4	4	DJ-DHC-M16-N-4	4	
DJ-DHC-M16-W-5	5	DJ-DHC-M16-N-5	5	
DJ-DHC-M16-W-8	8	DJ-DHC-M16-N-8	8	
DJ-DHC-M16-W-12	12	DJ-DHC-M16-N-12	12	

# 电缆接头 Cable joint

## 电缆接头系列 Cable connector series

多孔电缆接头系列与国际一线品牌厂家合作 P+F、IFM、DONJOY定制  
Multi-pinhole cable connector series is customized by P+F, IFM, DONJOY in cooperation with international famous brand manufacturers

DJ-GLT-M16-PS-4-8-EXD-P+F

- 品牌 Brand P+F、IFM、HUMMEL、donjoy定制 Custom (DJ)
- 隔爆(Exd)、本安防爆(Exi)、阻燃(Exe)、无(NO) Flameproof (Exd), intrinsically safe and explosion-proof (Exi), flame retardant (Exe)
- 锁线 Lock lines 2-5、3-7、5-10、7-12、8-16
- 塑料 Plastic Ps、不锈钢 Stainless steel SS
- 螺纹 Thread M12、M16、M20
- 类别 Category DJ-GLT



型号 Model	螺纹 Thread	锁线尺寸 Lock wire size
DJ-GLT-M16-SS-7-12-Exd-DJ	M16*1.5	7-12mm
DJ-GLT-M16-SS-8-16-Exd-DJ		8-16mm
DJ-GLT-M20-SS-7-12-Exd-DJ	M20*1.5	7-12mm
DJ-GLT-M20-SS-8-16-Exd-DJ		8-16mm



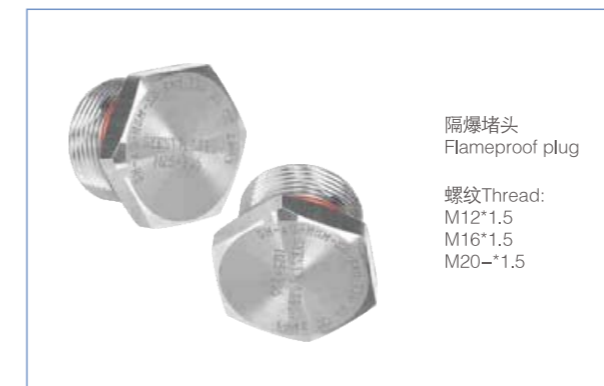
型号 Model	螺纹 Thread	锁线尺寸 Lock wire size
DJ-GLT-M12-PS-2-5	M12*1.5	2-5mm
DJ-GLT-M12-PS-3-7		3-7mm
DJ-GLT-M16-PS-3-7	M16*1.5	3-7mm
DJ-GLT-M16-PS-5-10		5-10mm
DJ-GLT-M20-PS-5-10	M20*1.5	5-10mm
DJ-GLT-M20-PS-7-12		7-12mm



型号 Model	螺纹 Thread	锁线尺寸 Lock wire size
DJ-GLT-M12-SS-2-5	M12*1.5	2-5mm
DJ-GLT-M12-SS-3-7		3-7mm
DJ-GLT-M16-SS-3-7	M16*1.5	3-7mm
DJ-GLT-M16-SS-5-10		5-10mm
DJ-GLT-M20-SS-5-10	M20*1.5	5-10mm
DJ-GLT-M20-SS-7-12		7-12mm

# 气源接头 Air source joint

## 电缆接头系列 Cable connector series



## 气源接头系列 Air source connectors series

